

M/N 74062-()	---0*	---1*	---2*	---3*	---4*	---5*	---6*	---7*	---8*	---9*
KEYING PIN ORIENTATION										

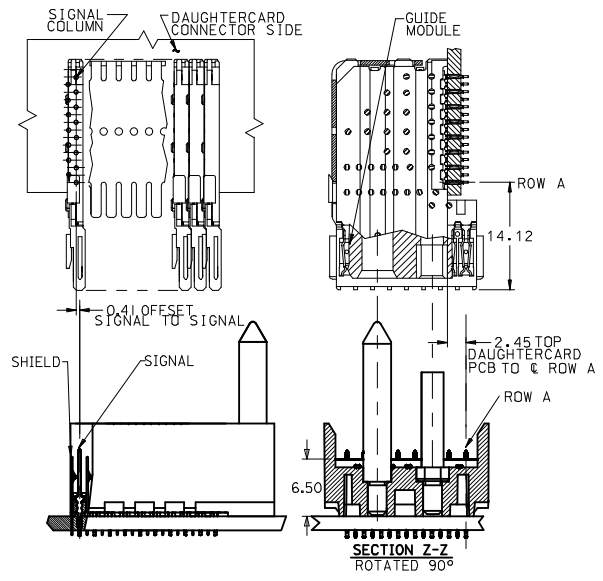
NO GUIDE PIN
NO KEYING PIN

74062 - * * * *

NUMBER OF COLUMNS/PLATING
 10 = 10 COLUMN MATTE TIN (FORMERLY TIN/LEAD)
 25 = 25 COLUMN MATTE TIN (FORMERLY TIN/LEAD)
 60 = 10 COLUMN MATTE TIN (MAPS)
 75 = 25 COLUMN MATTE TIN (MAPS)
 90 = 10 COLUMN MATTE TIN
 85 = 25 COLUMN MATTE TIN

PIN HEIGHT
 1 & 6 = 4.75
 2 & 7 = 6.25
 3 & 8 = 4.25
 4 & 9 = 5.15

PART NUMBER	COLUMN	NUMBER OF SIGNAL PIN	NUMBER OF SHIELD	A	B	M	GOLD THICKNESS MICROMETER	TIN THICKNESS MICROMETER
74062-60*1								
74062-*0*1	10	80	10	27.00	18.00	4.75	0.25 MAPS	0.76-1.52
74062-*0*6							0.76	
74062-75*1							1.27	
74062-*5*1	25	200	25	57.00	48.00	0.25 MAPS		
74062-*5*6						0.76		
74062-60*2						1.27		
74062-*0*2	10	80	10	27.00	18.00	6.25	0.25 MAPS	
74062-*0*7							0.76	
74062-75*2							1.27	
74062-*5*2	25	200	25	57.00	48.00	0.25 MAPS		
74062-*5*7						0.76		
74062-60*3						1.27		
74062-*0*3	10	80	10	27.00	18.00	4.25	0.25 MAPS	
74062-*0*8							0.76	
74062-75*3							1.27	
74062-*5*3	25	200	25	57.00	48.00	0.25 MAPS		
74062-*5*8						0.76		
74062-60*4						1.27		
74062-*0*4	10	80	10	27.00	18.00	5.15	0.25 MAPS	
74062-*0*9							0.76	
74062-75*4							1.27	
74062-*5*4	25	200	25	57.00	48.00	0.25 MAPS		
74062-*5*9						0.76		



SEE SHEET 1 EC NO: UCP2013-0687 DRAWINGS 2012/08/23 CHKD:MMOLFE 2012/11/26 APPR:SMILLER 2012/12/14 REV:	QUALITY SYMBOLS	GENERAL TOLERANCES (UNLESS SPECIFIED)	DIMENSION STYLE MM ONLY	SCALE 2.5:1	DESIGN UNITS METRIC	THIRD ANGLE PROJECTION
	▽=0	mm INCH	DRAWN BY DATE MWANG 1998/11/12	VHDM 8 ROW SHIELD END BACKPLANE SALES ASSEMBLY SD-74062-002 SHEET NO. 2 OF 2		
	▽=0	4 PLACES ± --- ± ---	CHECKED BY DATE JLAURX 1998/11/12			
	▽=0	3 PLACES ± --- ± ---	APPROVED BY DATE CBIXLER 1998/11/12			
	▽=0	2 PLACES ± --- ± ---	MATERIAL NO.			
▽=0	1 PLACE ± --- ± ---	DOCUMENT NO.				
		0 PLACE ± --- ± ---	SEE TABLE			
		ANGULAR ±1/2°	DRAFT WHERE APPLICABLE MUST REMAIN WITHIN DIMENSIONS			
			THIS DRAWING CONTAINS INFORMATION THAT IS PROPRIETARY TO MOLEX. INCORPORATED AND SHOULD NOT BE USED WITHOUT WRITTEN PERMISSION			