

注記 NOTE

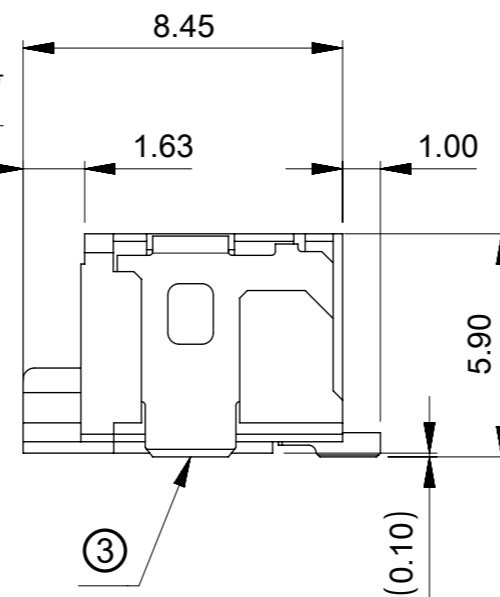
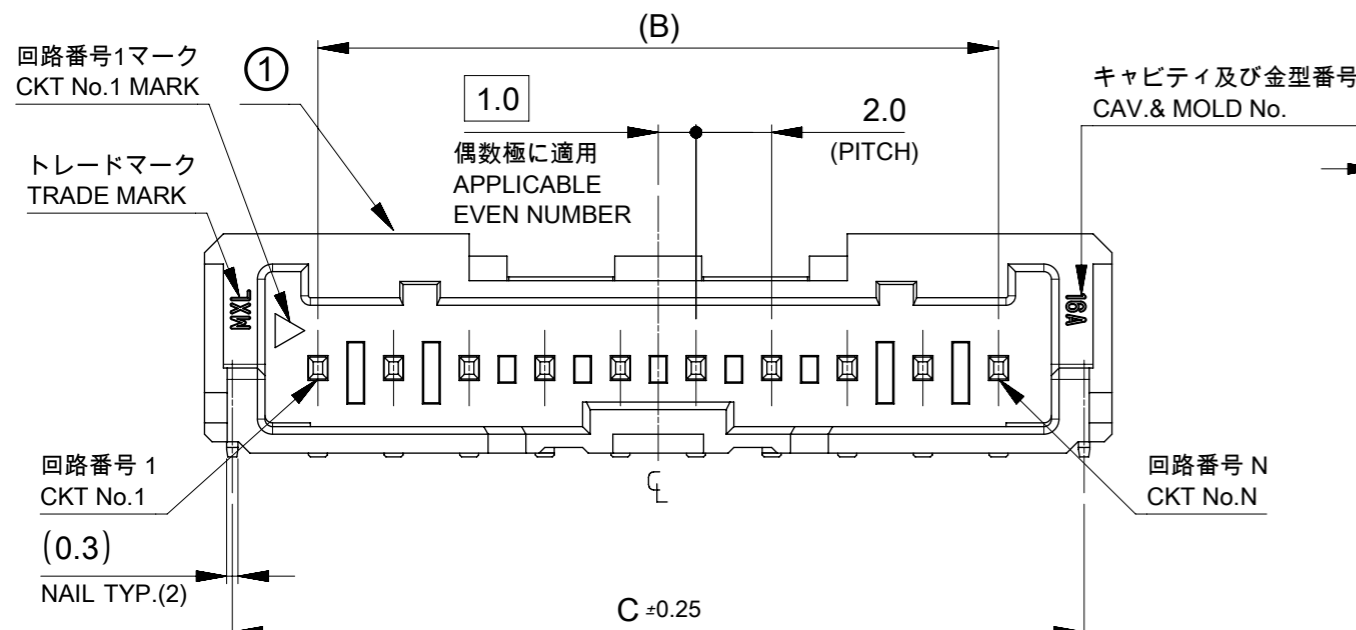
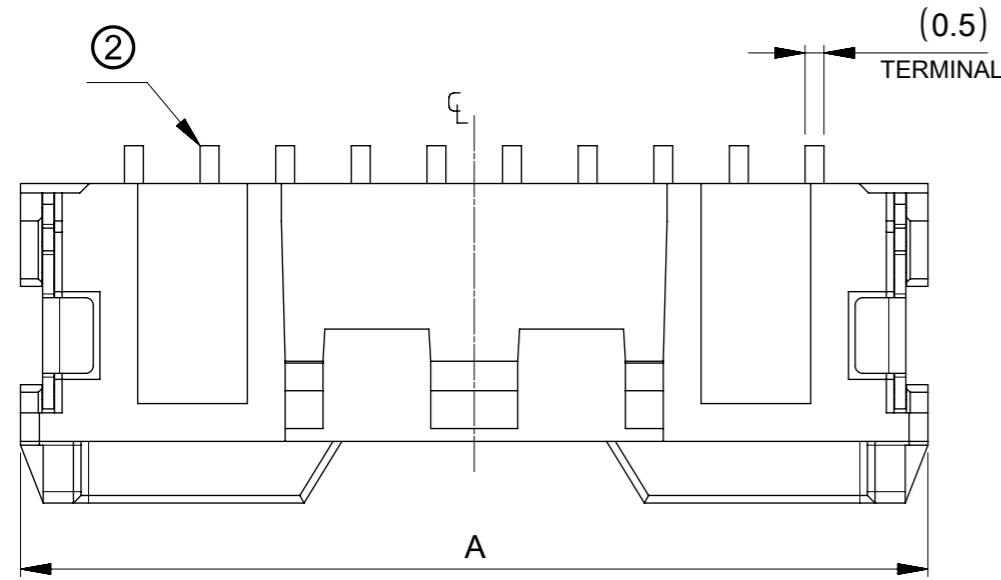
1. 嵌合相手 : 505570シリーズ
MATING WITH:505570SERIES
2. エンボス梱包品の詳細は5055780001PSD001を参照
DETAILED TAPING PACKAGE, SEE 5055780001PSD001.
3. アプリケーション仕様書 (コネクタ取扱い説明書)
: 5055700001PSA02, 5055700001PSA03
APPLICATION SPECIFICATION(CONNECTOR MANUAL)
: 5055700001PSA02, 5055700001PSA03
4. 製品仕様書:5055700001PS001
PRODUCT SPECIFICATION:5055700001PS001

5. 製品番号 MATERIAL No.

505578**7*

極数 CIRCUIT SIZE	色 COLOR	No.	COLOR
		0	NATURAL
		1	BLACK

6. ターミナルとネイルの平坦度は0.1mm以下
TERMINAL AND NAIL COPLANARITY:0.1mm MAX.
7. ELV & RoHS 適合品
ELV & RoHS COMPLIANT



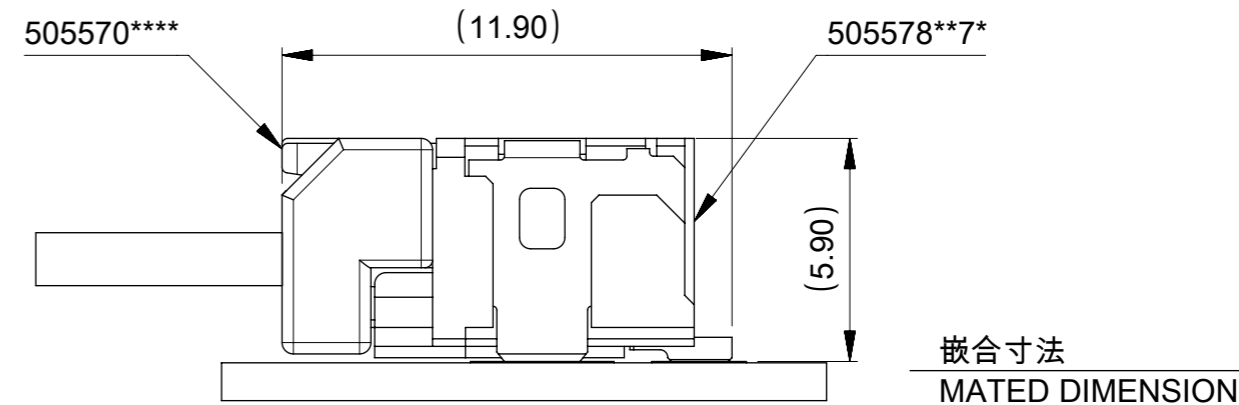
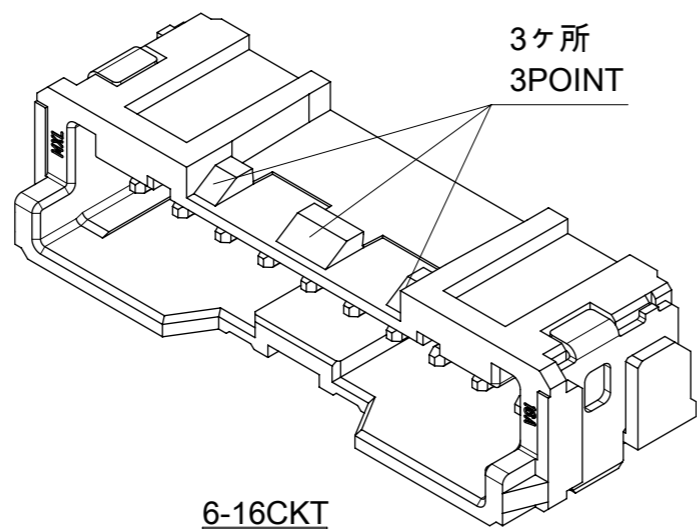
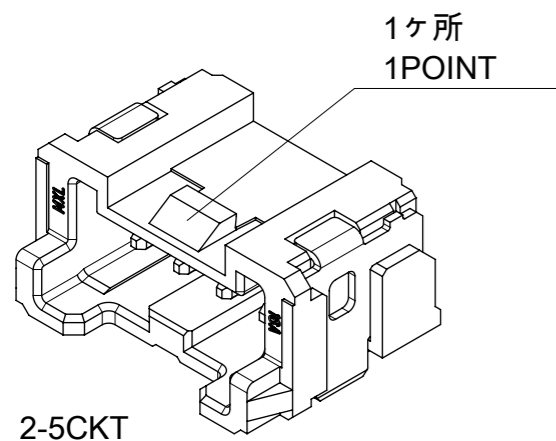
30.0	14.0	34.53	30.0	36	5055781671	5055781670	16
28.0	14.0	32.53	28.0	34	5055781571	5055781570	15
26.0	14.0	30.53	26.0	32	5055781471	5055781470	14
24.0	14.0	28.53	24.0	30	5055781371	5055781370	13
22.0	14.0	26.53	22.0	28	5055781271	5055781270	12
20.0	14.0	24.53	20.0	26	5055781171	5055781170	11
18.0	10.0	22.53	18.0	24	5055781071	5055781070	10
16.0	10.0	20.53	16.0	22	5055780971	5055780970	9
14.0	10.0	18.53	14.0	20	5055780871	5055780870	8
12.0	10.0	16.53	12.0	18	5055780771	5055780770	7
10.0	10.0	14.53	10.0	16	5055780671	5055780670	6
8.0	5.5	12.53	8.0	14	5055780571	5055780570	5
6.0	5.5	10.53	6.0	12	5055780471	5055780470	4
4.0	3.5	8.53	4.0	10	5055780371	5055780370	3
2.0	3.5	6.53	2.0	8	5055780271	5055780270	2
E	D	C	B	A	ハウジング 黒色 HSG COLOR BLACK	ハウジング ナチュラル HSG COLOR NATURAL	極数 CIRCUIT
エンボス梱包 オークター番号 EMBOSSED PKG ORDER No.							

No.	部品 PART	材質 MATERIAL
①	ハウジング HOUSING	ポリアミド(PA) UL94 V-0 POLYAMIDE(PA) UL94 V-0 色: ナチュラル、黒 COLOR:NATURAL, BLACK
②	ターミナル TERMINAL	黄銅 BRASS 錫めっき : 1.0um以上 MATTE TIN PLATING : 1.0 micro-meter MIN. ニッケルめっき (下地) : 1.0um以上 NICKEL(UNDER PLATING) : 1.0micro-meter MIN.
③	フィッティングネイル FITTING NAIL	リン青銅 PHOSPHOR BRONZE 錫めっき : 1.0um以上 MATTE TIN PLATING : 1.0 micro-meter MIN. ニッケルめっき (下地) : 1.0um以上 NICKEL(UNDER PLATING) : 1.0micro-meter MIN.

THIS DRAWING CONTAINS INFORMATION THAT IS PROPRIETARY TO MOLEX ELECTRONIC TECHNOLOGIES, LLC AND SHOULD NOT BE USED WITHOUT WRITTEN PERMISSION

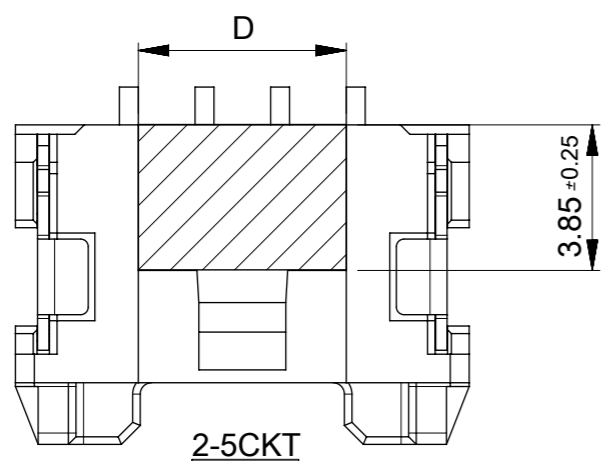
RELEASED	GENERAL TOLERANCES (UNLESS SPECIFIED)	DIMENSION UNITS	SCALE				
2016/05/12	ANGULAR TOL ± 3.0 °	MM	5:1				
2016/06/23	4 PLACES ±	DRWN BY	DATE				
2016/06/23	3 PLACES ±	TENAGASE	2016/05/12				
EC NO: 105541 DRWN: TENAGASE CHK'D: KOMURAKAMI APPR: TKANEKO	2 PLACES ± 0.2	CHK'D BY	DATE	MICRO-LOCK PLUS 2.0MM PITCH WIRE TO BOARD PLUG ASSEMBLY RA			
	1 PLACE ± 0.25	KOMURAKAMI	2016/06/23				
	0 PLACES ± 0.3	APPR BY	DATE				
	TKANEKO	2016/06/23					
DRAFT WHERE APPLICABLE MUST REMAIN WITHIN DIMENSIONS	DRAWING SIZE	THIRD ANGLE PROJECTION		PRODUCT CUSTOMER DRAWING			
A	A3			SERIES	MATERIAL NUMBER	CUSTOMER	
				505578	5055780001	GENERAL	
				DOCUMENT NUMBER	DOC TYPE	DOC PART	SHEET NUMBER
				5055780001	PSD	000	1 OF 2

ロック形状
LOCK FORM

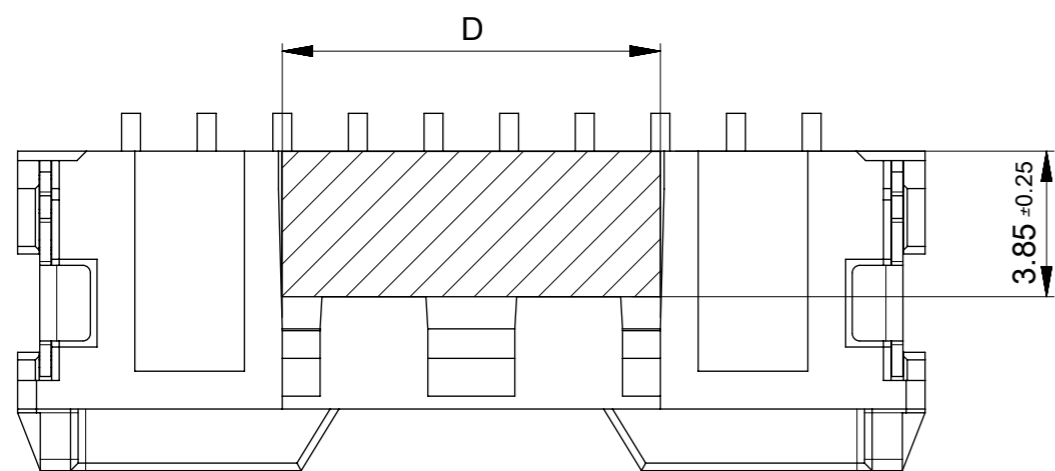


嵌合寸法
MATED DIMENSION

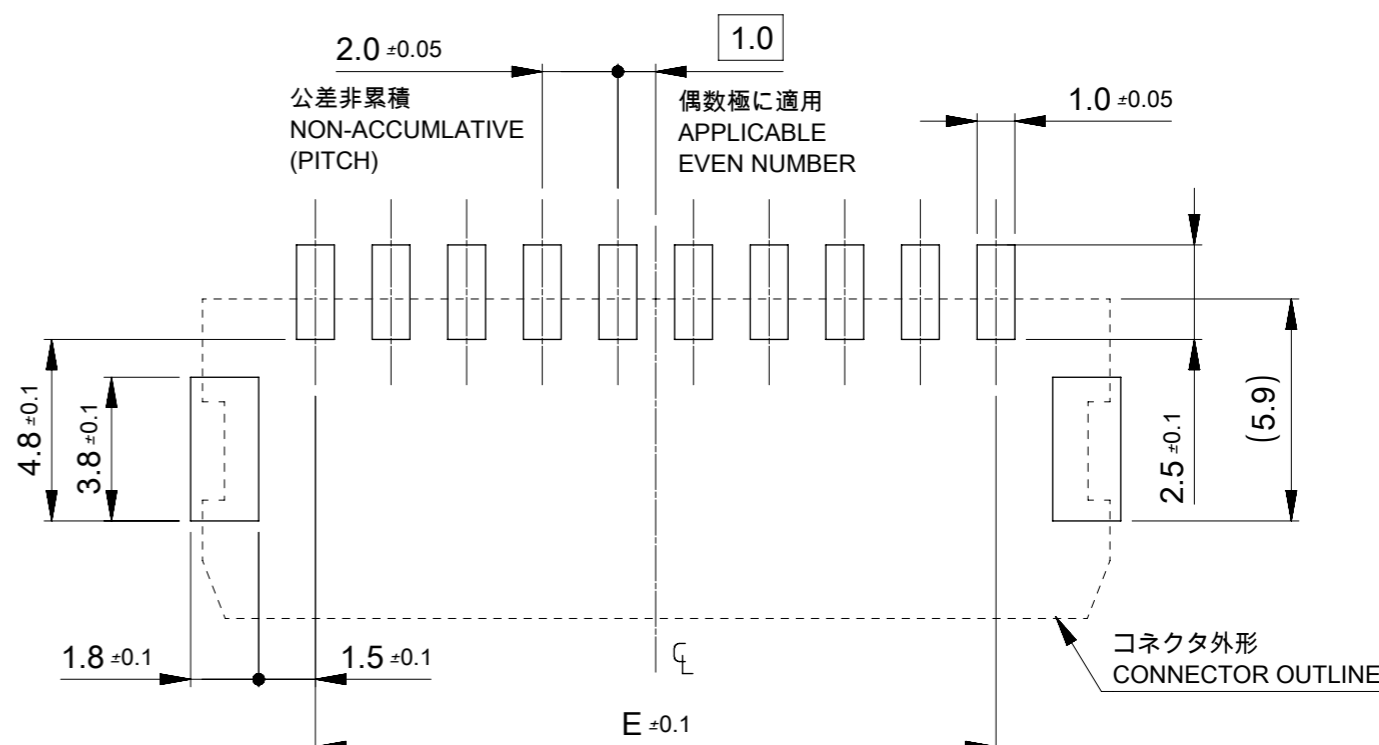
吸着エリア
PICK UP AREA



2-5CKT



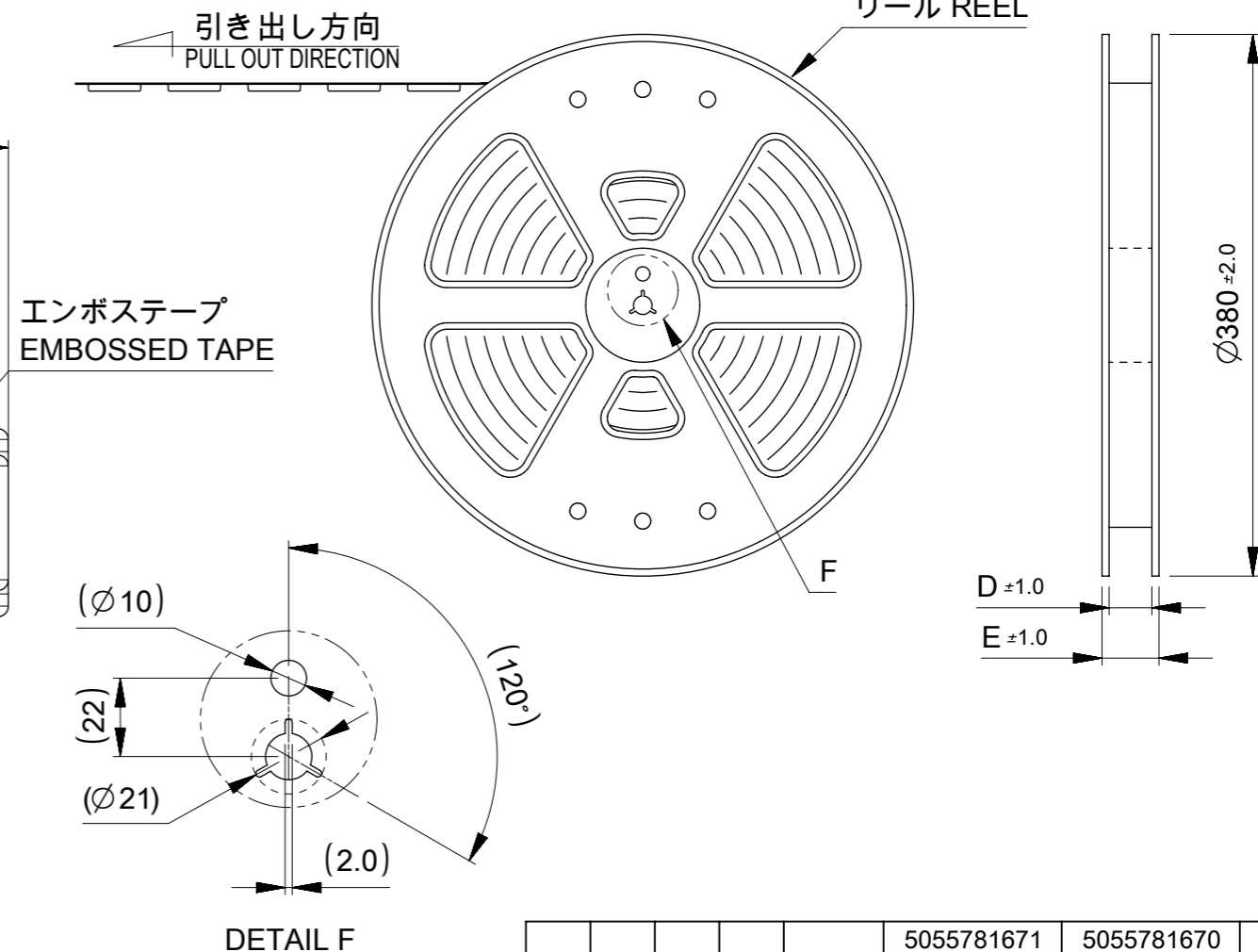
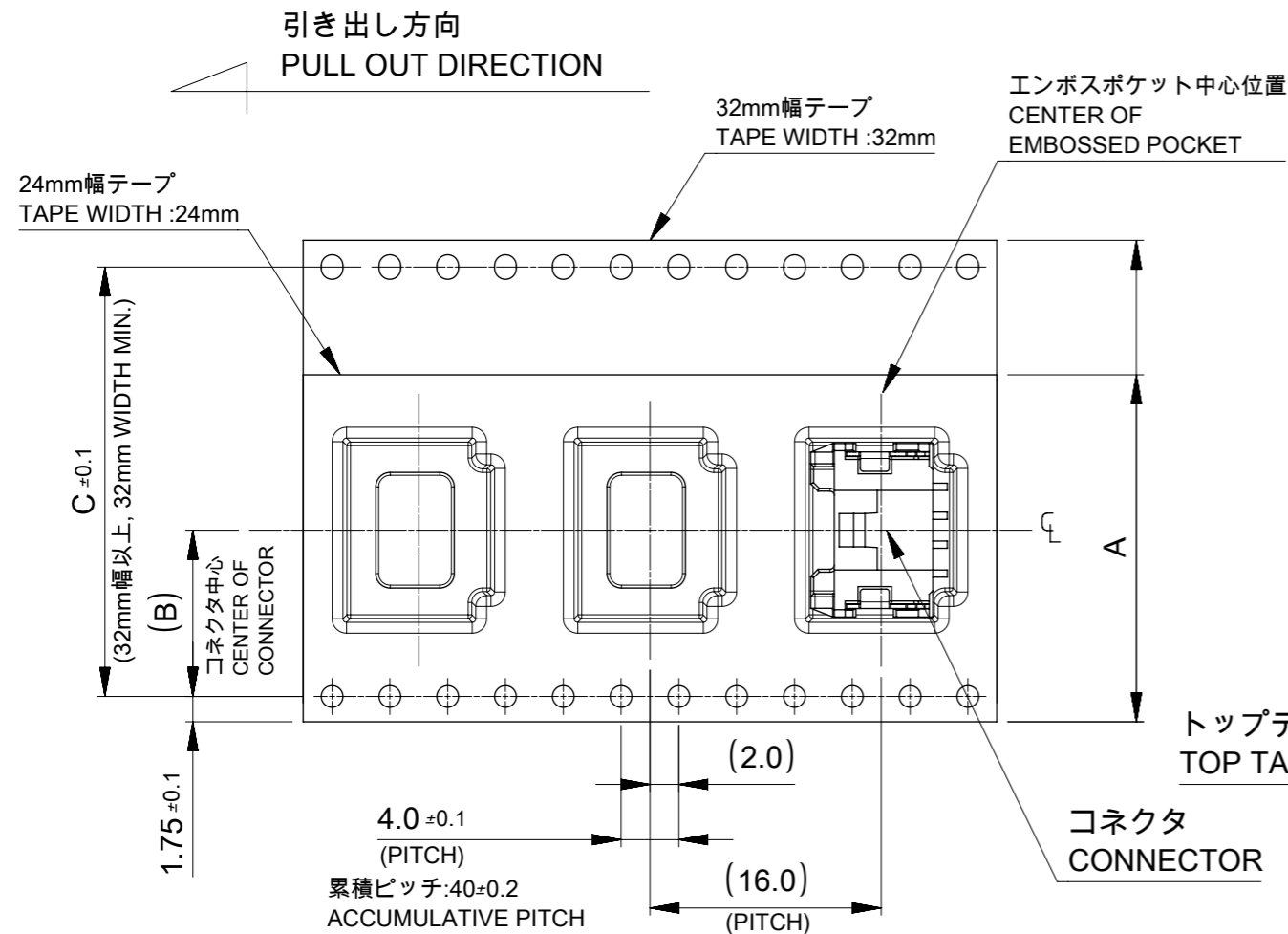
6-16CKT



基板パターンレイアウト (参考)
P.W.B. PATTERN LAYOUT (REFERENCE)

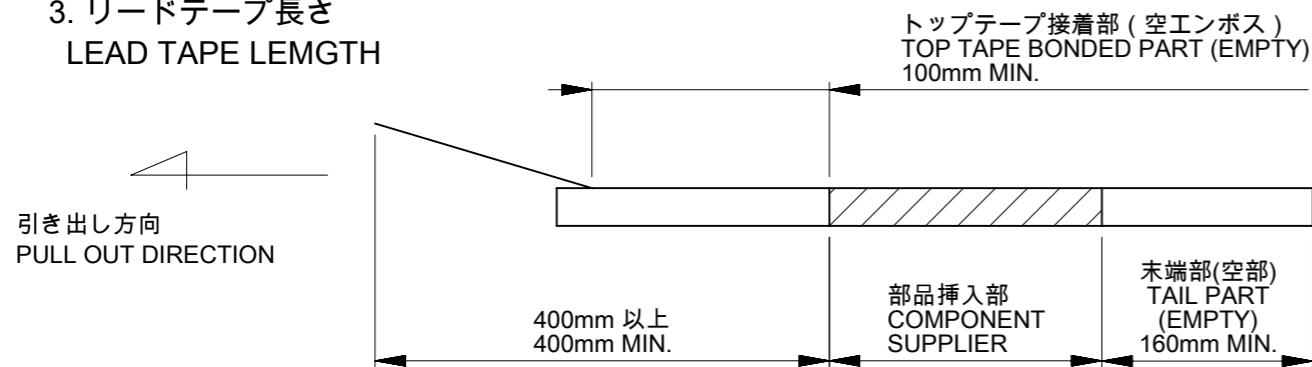
(メタルマスク厚み150um,開口率100%)
(METAL MASK THICKNESS 150um, OPEN APERTURE RATIO 100%)

THIS DRAWING CONTAINS INFORMATION THAT IS PROPRIETARY TO MOLEX ELECTRONIC TECHNOLOGIES, LLC AND SHOULD NOT BE USED WITHOUT WRITTEN PERMISSION									
RELEASED	2016/05/12	GENERAL TOLERANCES (UNLESS SPECIFIED)		DIMENSION UNITS	SCALE				
	2016/06/23	ANGULAR TOL ± 3.0 °		MM	5:1				
	2016/06/23	4 PLACES ±	TENAGASE	DATE	MICRO-LOCK PLUS 2.0MM PITCH WIRE TO BOARD PLUG ASSEMBLY RA				
	EC NO: 105541	DRWN: TENAGASE	3 PLACES ±	CHK'D BY	DATE	PRODUCT CUSTOMER DRAWING			
	DRWN: TENAGASE	CHK'D: KOMURAKAMI	2 PLACES ± 0.2	KOMURAKAMI	2016/06/23	SERIES	MATERIAL NUMBER	CUSTOMER	
CHK'D: KOMURAKAMI	CHK'D: KOMURAKAMI	1 PLACE ± 0.25	APPR BY	DATE	505578		GENERAL		
APP: TKANEKO	APP: TKANEKO	0 PLACES ± 0.3	TKANEKO	2016/06/23	DOCUMENT NUMBER	5055780001	DOC TYPE	DOC PART	SHEET NUMBER
		DRAFT WHERE APPLICABLE MUST REMAIN WITHIN DIMENSIONS	DRAWING SIZE	THIRD ANGLE PROJECTION			PSD	000	2 OF 2
A	REV		A3						



注記 NOTES

- 製品詳細寸法は製品単体図面を参照してください。
FOR DETAIL OF CONNECTOR DIMENSIONS,
PLEASE SEE THE DRAWING OF CONNECTOR IT SELF (NOT PACKAGED)
- 梱包数量 : 900個
NUMBER OF CONNECTORS : 900PIECES/REEL
- リードテープ長さ
LEAD TAPE LENGTH



4. 材料 MATERIAL

キャリアテープ : ポリスチレン(PS)
CARRIER TAPE : POLYSTYRENE (PS)
トップテープ: ポリエステル(PET), その他
TOP TAPE: POLYESTER (PET), OTHER
リール: ポリスチレン(PS)リサイクル材を含む
REEL: POLYSTYRENE (PS) RECYCLE MATERIAL CONTAINED

61.4	57.4	52.4	26.2	56±0.3	5055781671	5055781670	16
					5055781571	5055781570	15
					5055781471	5055781470	14
49.4	45.4	40.4	20.2	44±0.3	5055781371	5055781370	13
					5055781271	5055781270	12
					5055781171	5055781170	11
					5055781071	5055781070	10
					5055780971	5055780970	9
37.4	33.4	28.4	14.2	32±0.3	5055780871	5055780870	8
					5055780771	5055780770	7
					5055780671	5055780670	6
29.4	25.4	-	11.5	24 ^{+0.3} _{-0.1}	5055780571	5055780570	5
					5055780471	5055780470	4
					5055780371	5055780370	3
					5055780271	5055780270	2
E	D	C	B	A	ハウジング 黒色 HSG COLOR BLACK	ハウジング ナチュラル HSG COLOR NATURAL	極数 CIRCUIT
エンボス梱包						オーダー番号	
						EMBOSSED PKG ORDER No.	

THIS DRAWING CONTAINS INFORMATION THAT IS PROPRIETARY TO MOLEX ELECTRONIC TECHNOLOGIES, LLC AND SHOULD NOT BE USED WITHOUT WRITTEN PERMISSION		CURRENT REV DESC: REVISED		molex	
DIMENSION UNITS	SCALE				
mm	NTS			MICRO-LOCK PLUS 2.0MM PITCH WIRE TO BOARD EMBOSSED PKG RA	
GENERAL TOLERANCES (UNLESS SPECIFIED)				PRODUCT CUSTOMER DRAWING	
ANGULAR TOL	± 3.0°	EC NO:	172812	DOCUMENT NUMBER	
4 PLACES	±	DRWN:	TENAGASE 2018/02/27	5055780001	
3 PLACES	±	CHK'D:	KOMURAKAMI 2018/03/13	DOC TYPE	DOC PART
2 PLACES	± 0.2	APPR:	TKANEKO 2018/03/15	PSD	001
1 PLACE	± 0.2	INITIAL REVISION:		REVISION	
0 PLACES	± 0.2	DRWN:	TENAGASE 2016/06/14	B	
DRAFT WHERE APPLICABLE MUST REMAIN WITHIN DIMENSIONS		APPR:	TKANEKO 2016/06/23		
THIRD ANGLE PROJECTION		DRAWING	A3-SIZE	MATERIAL NUMBER	CUSTOMER
SEE CHART		SERIES	505578	GENERAL	SHEET NUMBER
				1 OF 1	