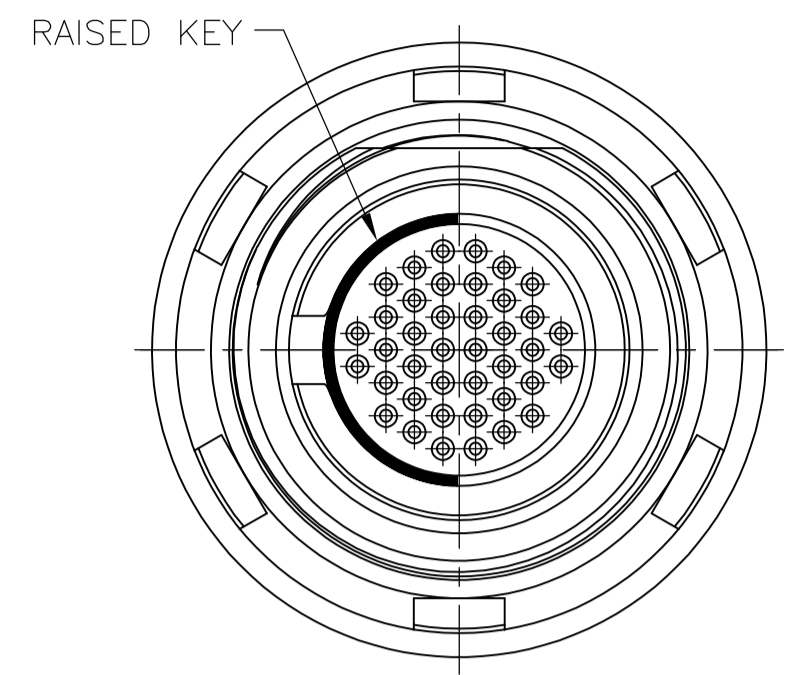
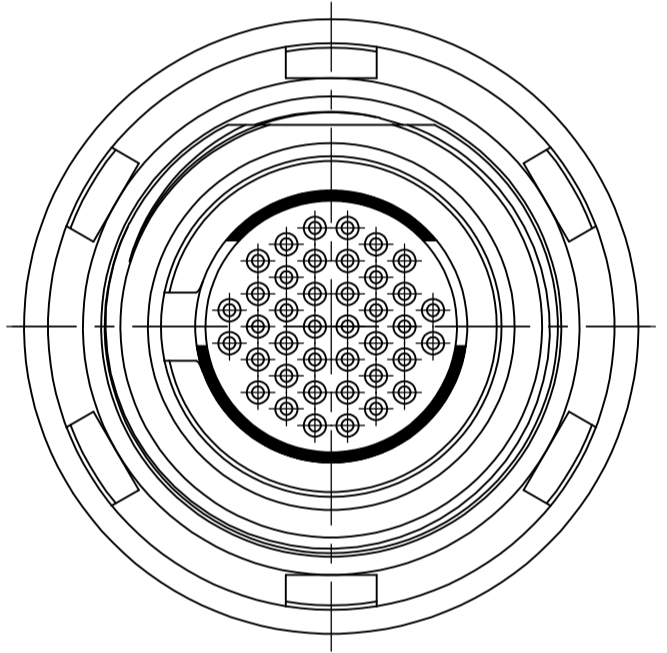


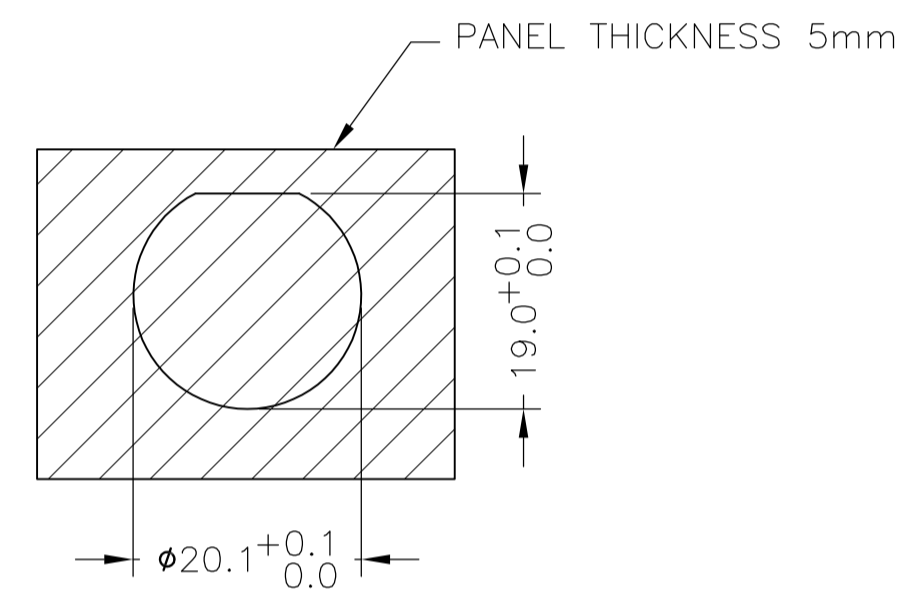
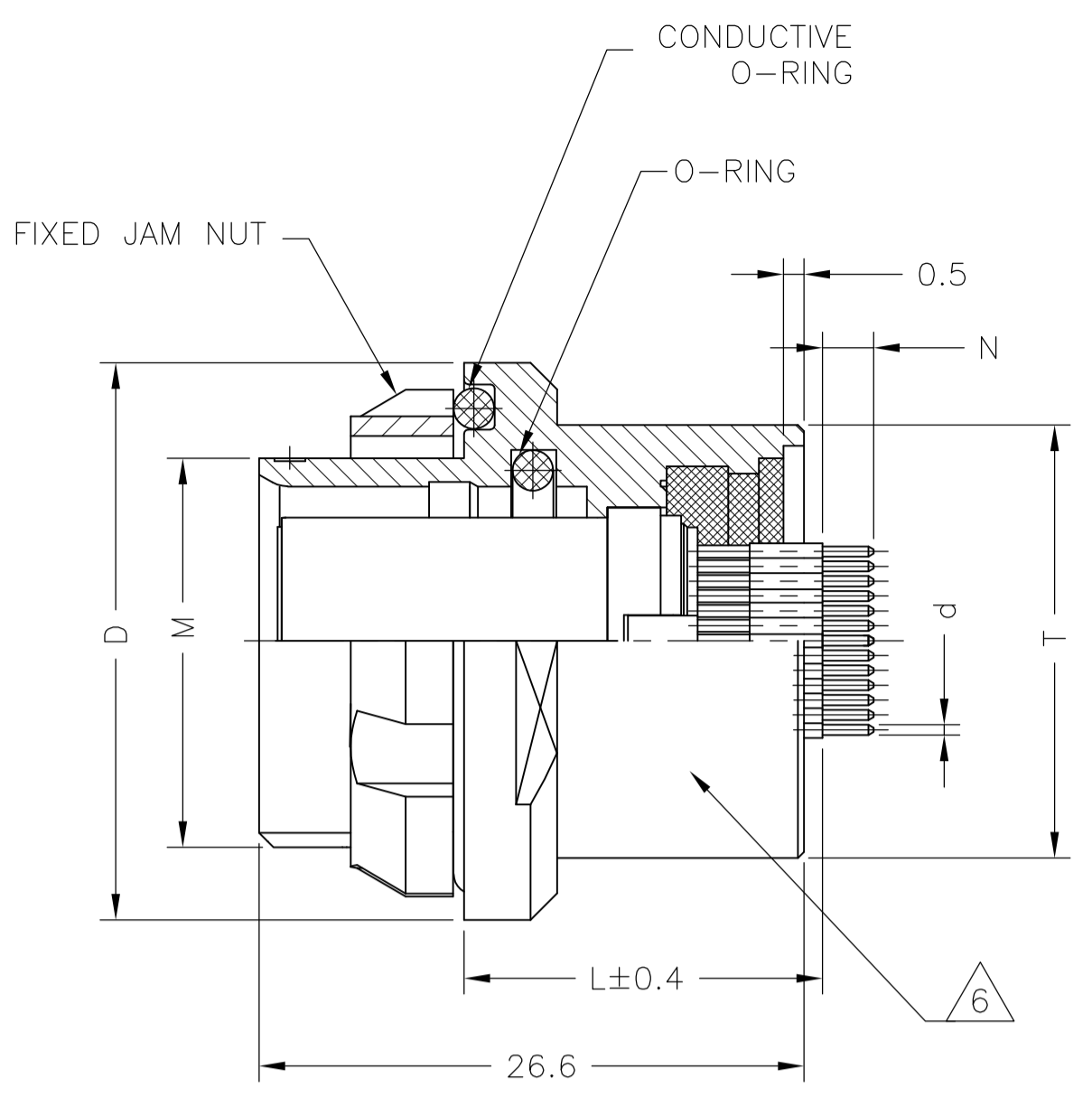
LOC		DIST		REVISIONS			
P	LTR	DESCRIPTION	DATE	DN	APVD		
C		REVISED PER ECO 13-001843.	08FEB2013	MGM	CT		



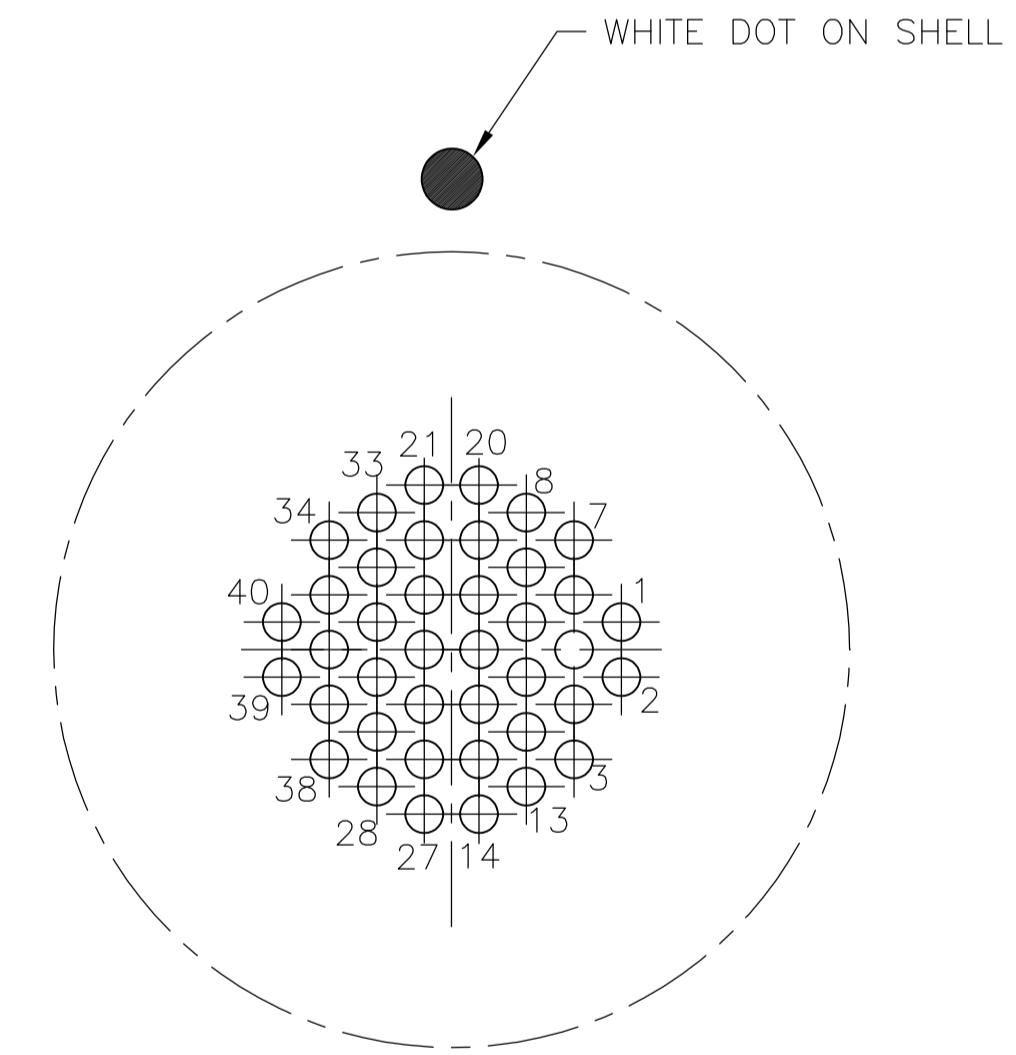
SINGLE POLARIZATION



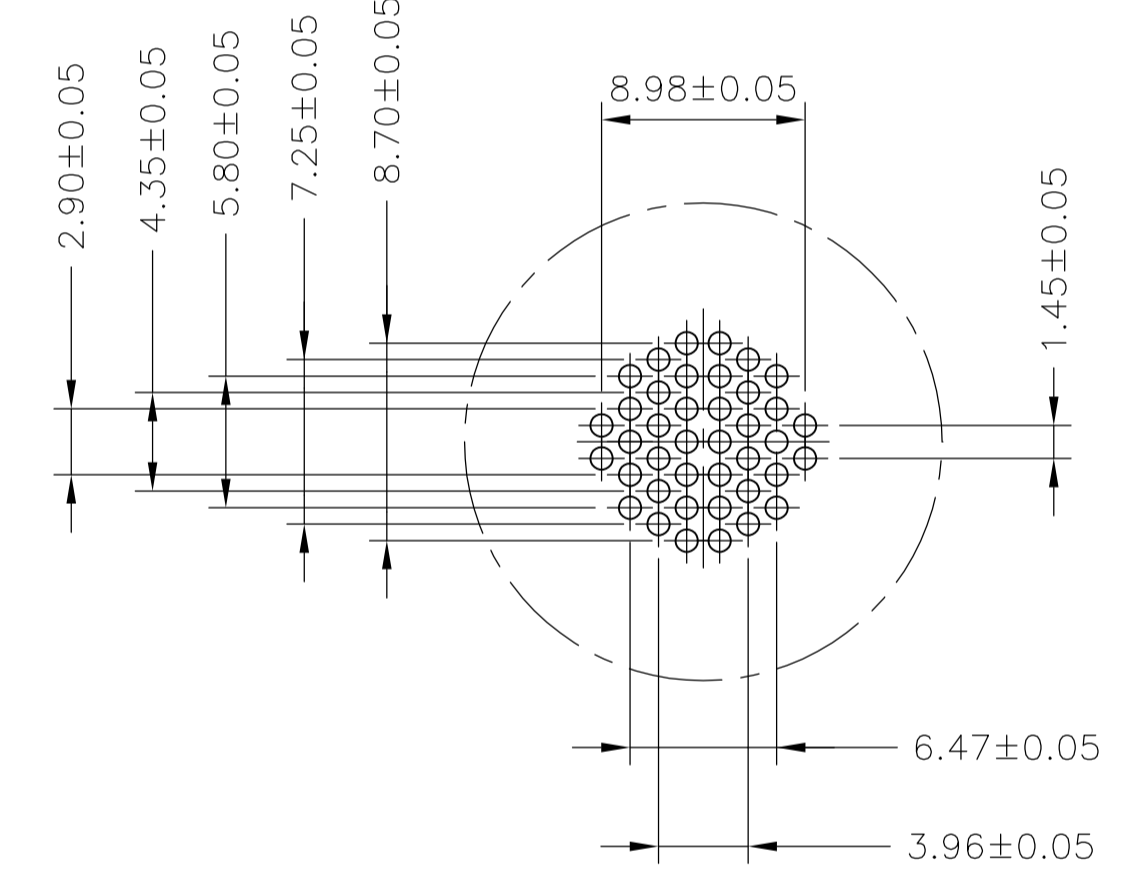
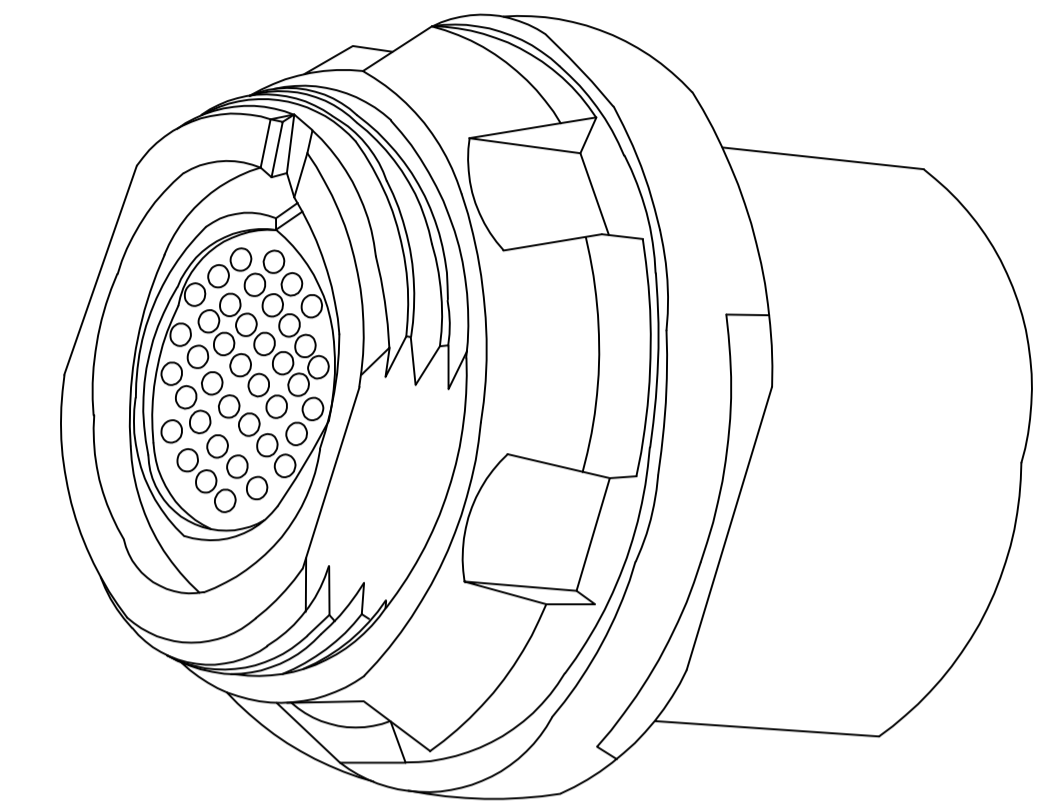
DOUBLE POLARIZATION



PANEL CUTOUT



CAVITY IDENTIFICATION WHEN VIEWED FROM REAR OF CONNECTOR



CONTACT HOLE PATTERNS FOR PCB MOUNT

- DWV RATING 725VAC @ SEA LEVEL
- WORKING TEMPERATURE: -55°C ~ +125°C

3 MATERIAL:
 CONTACT : COPPER ALLOY
 SHELL : COPPER ALLOY
 INSULATOR : PEEK
 O RING : SILICON RUBBER

4 FINISH
 CONTACT: GOLD OVER NICKEL
 SHELL : BLACK CHROMIUM

5. WATER PROOF: 1M IMMERSION

6 PART IS MARKED WITH THE TE PART NUMBER, CHINA, DATE CODE AND LOT I.D.

7 ALL TOLERANCE TO BE ±0.20 MM UNLESS NOTED.

CHROMIUM-BLACK	DOUBLE	SOLDERING	2.54	∅0.5	17.25	∅21.05	M20X1	∅27.1	5	2101549-2
CHROMIUM-BLACK	SINGLE	SOLDERING	2.54	∅0.5	17.25	∅21.05	M20X1	∅27.1	5	2101549-1
FINISH	POLARIZATION	TERMINATION	N	d	L	T	THREAD	D	SHELL SIZE	TE PART NUMBER

THIS DRAWING IS A CONTROLLED DOCUMENT.

DIMENSIONS: mm	TOLERANCES UNLESS OTHERWISE SPECIFIED:	DIN C.C. THOMAS 20AUG2009	DRW R. GROSS 20AUG2009
0 PLC ± -	1 PLC ± ±	APVD R. GROSS 20AUG2009	NAME 108-127005
2 PLC ± ± 0.20	3 PLC ± ±	PRODUCT SPEC	APPLICATION SPEC
4 PLC ± ±	ANGLES ± °	SIZE	CAGE CODE
MATERIAL 3	FINISH 4	WEIGHT	DRAWING NO. A1 00779
CUSTOMER DRAWING		SCALE NTS	SHEET 1 OF 1

RESTRICTED TO

TE Connectivity

CIRCULAR HD RECEPTACLE WITH SOCKET CONTACT, JAM NUT, STRAIGHT PCB 40 POS.

SIZE: A1 00779 C=2101549