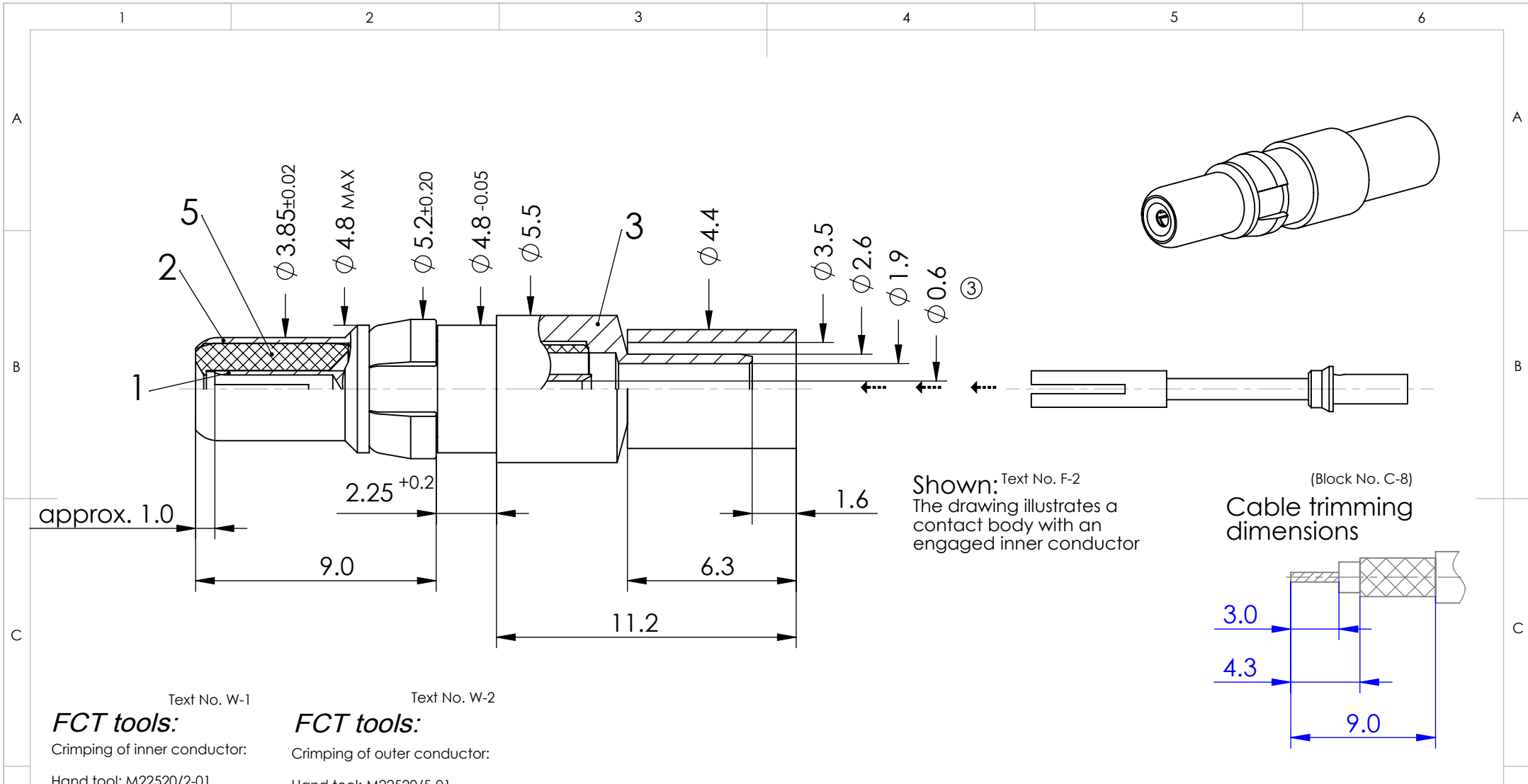
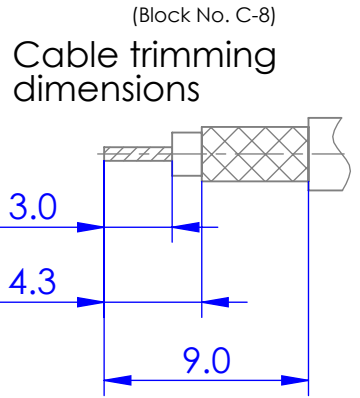


COMMENT:  
 ALL RIGHTS ARE RESERVED BY US FOR THIS DRAWING. WITHOUT OUR PRIOR CONSENT,  
 IT MAY NEITHER BE DUPLICATED NOR MADE AVAILABLE TO A THIRD PARTY,  
 AND IT ALSO MAY NOT BE IMPROPERLY USED BY TE RECEIVER, OR A THIRD PARTY.



Shown: Text No. F-2  
 The drawing illustrates a contact body with an engaged inner conductor



Text No. W-1

Text No. W-2

**FCT tools:**

**FCT tools:**

Crimping of inner conductor:

Crimping of outer conductor:

Hand tool: M22520/2-01  
 Locator: K1003

Hand tool: M22520/5-01  
 Die: Y138P cavity B

Pneumatic crimp tool: WA22  
 Locator: K1003

Pneumatic crimp tool: HX23 (replacement for PH4001) ②

Cable:  
 AWG 24 / SEL. 5  
 AWG 26 / SEL. 5  
 AWG 28 / SEL. 4  
 AWG 30 / SEL. 3

①

Extraction tool: DRK38

IMPEDANCE		50 Ohm		COAXIAL CONTACT		SCALE		CABLE	
FOR		D-SUB				5:1		RG316U double braided	
DIMENSIONS IN MM				DRAWN		NAME / DATE		DATA SHEET	
MATERIAL + FINISH SEE EXTRA SHEET				CHECKED		14-10-2002			
UNLESS OTHERWISE SPECIFIED DIMENSIONS FOR REFERENCE ONLY						25-06-2013			
3		25-06-2013		23485		 www.fctgroup.com		PART NO.	
REV.		DATE		INDEX				FMS006P	
						ORIGINAL: DIN A4-DRAWING AS A FILE		REPLACEMENT FOR:	
								3	
								PAGE: 1/1	