

LOC	DIST	REVISIONS					
AD	14	P	LTR	DESCRIPTION	DATE	DWN	APVD
		B	REV PER EC	OS15-0044-05	27JUN05	RG	MP
		B1	REVISED PER ECO	-10-000444	19JAN10	KK	HMR

- △ FINISH: 1.27μm[.000050] MIN THICK NICKEL PLATE ALL OVER. 0.76μm [.000030]MIN THICK GOLD PLATE OVER NICKEL IN CONTACT AREA AND 2.54μm[.000100] MIN THICK TIN PLATE OVER NICKEL ON SOLDER TAIL.
- △ THIS REQUIREMENT IS BASED ON A 0.82μm[.032] MAXIMUM EFFECTIVE DIAMETER (DIAGONAL) OF THE SOLDER TAILS.
- △ DROP DOWNS(SKIRTS) RECOMMENDED TO MINIMIZE POTENTIAL OF IMPROPER MATING OF THE BOARD TO THE CONNECTOR.
- △ FINISH: 1.27μm[.000050] MIN THICK TIN.
- △ DETAILS OF LONGER METAL HOLD-DOWN MAY VARY FROM THOSE SHOWN.
- △ ALTERNATE PATTERN APPLIES.
- △ OBSOLETE PARTS: OBSOLETE CIS STREAMLINING PER D.RENAUD/D.SINISI

SUPERCEDED BY 3-5145090-7

△ OBSOLETE

△ OBSOLETE

△ OBSOLETE  
△ OBSOLETE

△ OBSOLETE

SUPERCEDED BY 2-5145090-2

△ OBSOLETE

△ OBSOLETE

△ OBSOLETE

△ OBSOLETE

SUPERCEDED BY 5145090-9

△ OBSOLETE

△ OBSOLETE

SUPERCEDED BY 5145090-1

RC	RB	RA	LC	LB	LA	W	V	U	T	S	L	NO.OF DUAL POSN	PART NUMBER
											2.92-3.43 [.115-.135]	73	3-5145090-8 △
											2.29-2.79 [.090-.110]		3-5145090-7 △
										4.44-4.95 [.175-.195]	3.68-4.19 [.145-.165]	130	3-5145090-5
										2.92-3.43 [.115-.135]			3-5145090-4
										4.44-4.95 [.175-.195]	2.29-2.79 [.090-.110]		3-5145090-3
										4.44-4.95 [.175-.195]	3.68-4.19 [.145-.165]	120	3-5145090-1
										2.92-3.43 [.115-.135]			3-5145090-0
										4.44-4.95 [.175-.195]	2.29-2.79 [.090-.110]		2-5145090-9
										4.44-4.95 [.175-.195]	4.57-5.08 [.180-.200]		2-5145090-8
										3.68-4.19 [.145-.165]			2-5145090-7
										2.92-3.43 [.115-.135]			2-5145090-6
										4.44-4.95 [.175-.195]	2.29-2.79 [.090-.110]		2-5145090-5
											2.92-3.43 [.115-.135]	100	2-5145090-2
											2.29-2.79 [.090-.110]		2-5145090-1
										4.44-4.95 [.175-.195]	3.68-4.19 [.145-.165]		1-5145090-9
											2.92-3.43 [.115-.135]	90	1-5145090-8
										4.44-4.95 [.175-.195]	2.29-2.79 [.090-.110]		1-5145090-7
											2.92-3.43 [.115-.135]		1-5145090-4
										4.44-4.95 [.175-.195]	2.29-2.79 [.090-.110]	80	1-5145090-3
											2.92-3.43 [.115-.135]		1-5145090-0
										4.44-4.95 [.175-.195]	2.29-2.79 [.090-.110]	70	5145090-9
											4.57-5.08 [.180-.200]		5145090-8
										2.92-3.43 [.115-.135]			5145090-6
										4.44-4.95 [.175-.195]	2.29-2.79 [.090-.110]		5145090-5
											2.92-3.43 [.115-.135]	50	5145090-2
										4.44-4.95 [.175-.195]	2.29-2.79 [.090-.110]		5145090-1

THIS DRAWING IS A CONTROLLED DOCUMENT.

DIN A. FERNANDEZ-D0CK5 12-29-04  
CIK M. PERCHERKE 12-29-04

Tyco Electronics Corporation  
Harrisburg, Pa 17105-3608

APVD M. PERCHERKE 12-29-04

PRODUCT SPEC 108-1406

APPLICATION SPEC 114-11007

WEIGHT -

SIZE A1

CAGE CODE 00779

DRAWING NO. 5145090

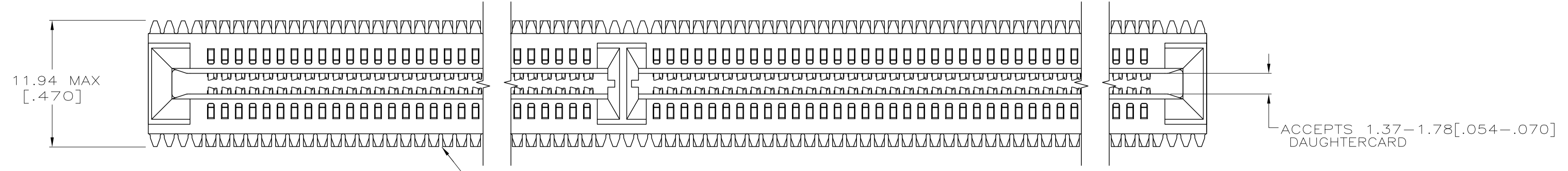
RESTRICTED TO

CUSTOMER DRAWING

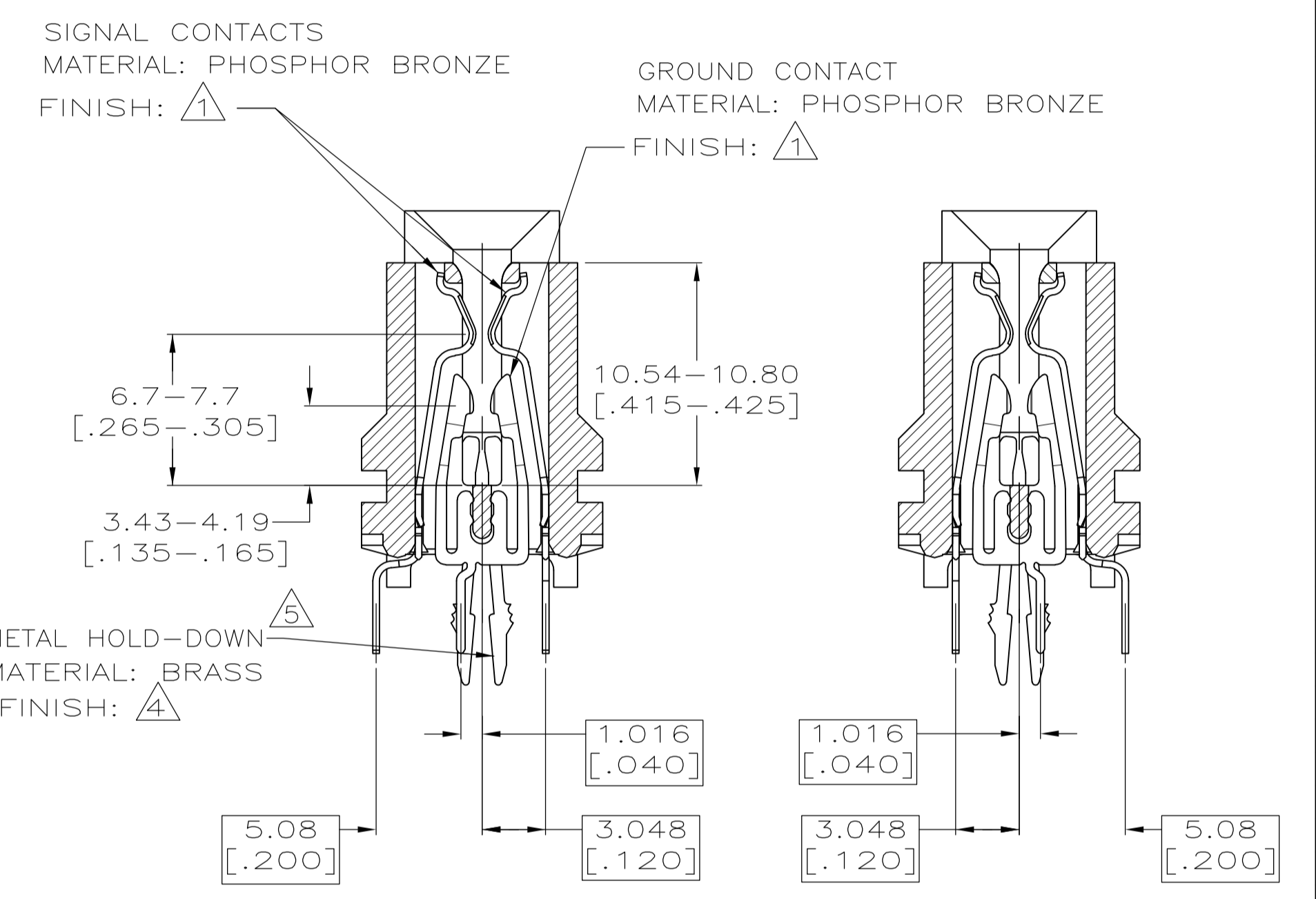
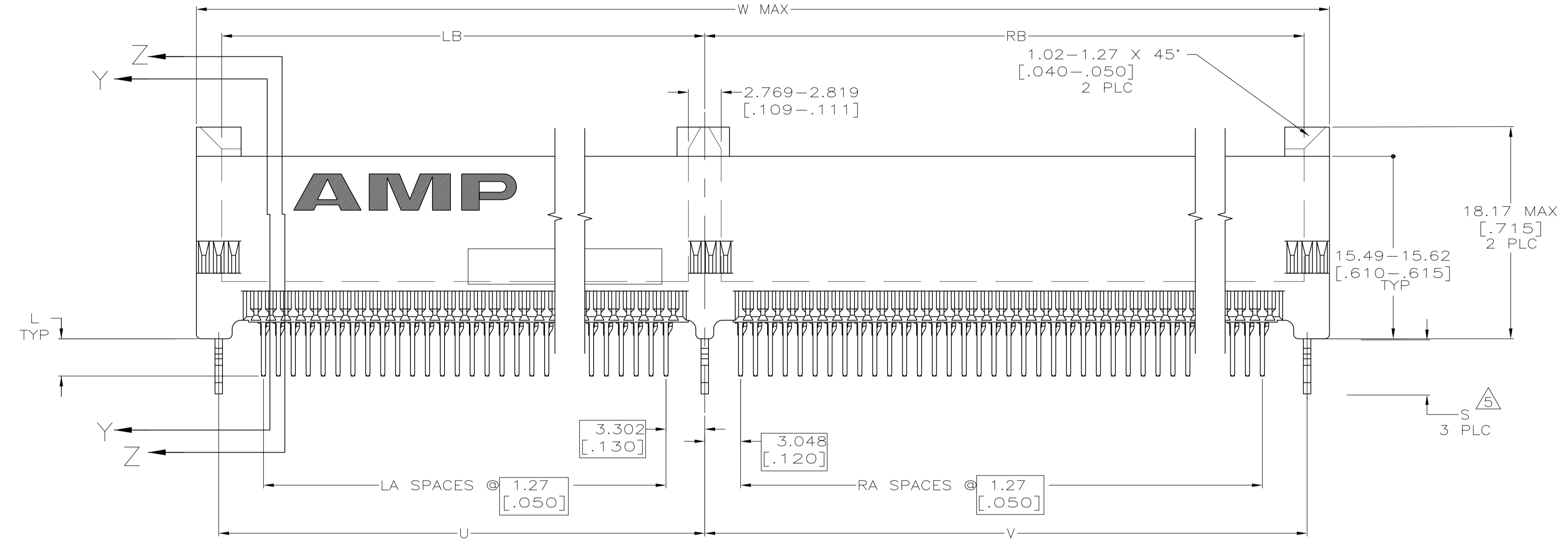
SCALE 1:1

SHEET 1 OF 3

REV B1

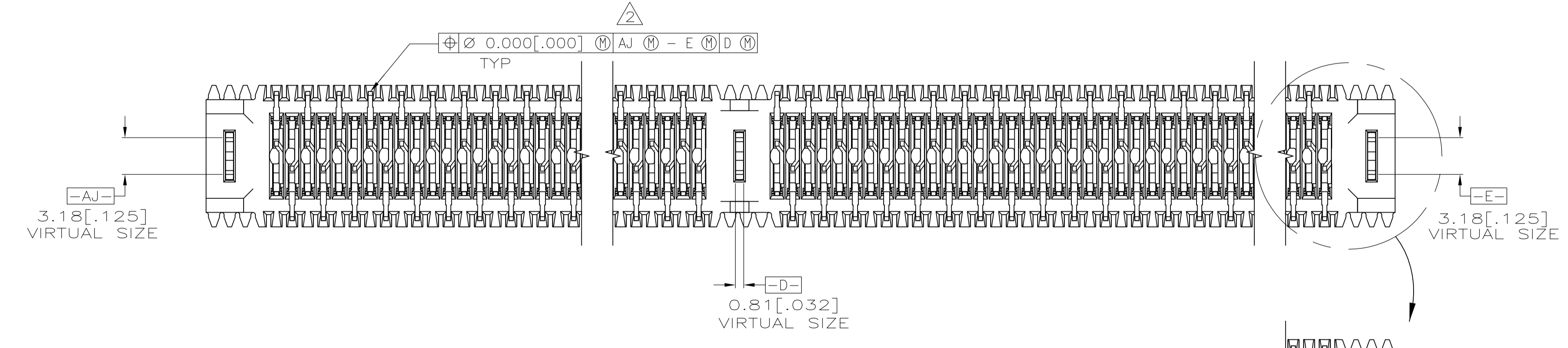


HOUSING MATERIAL: POLYPHENYLENE SULFIDE



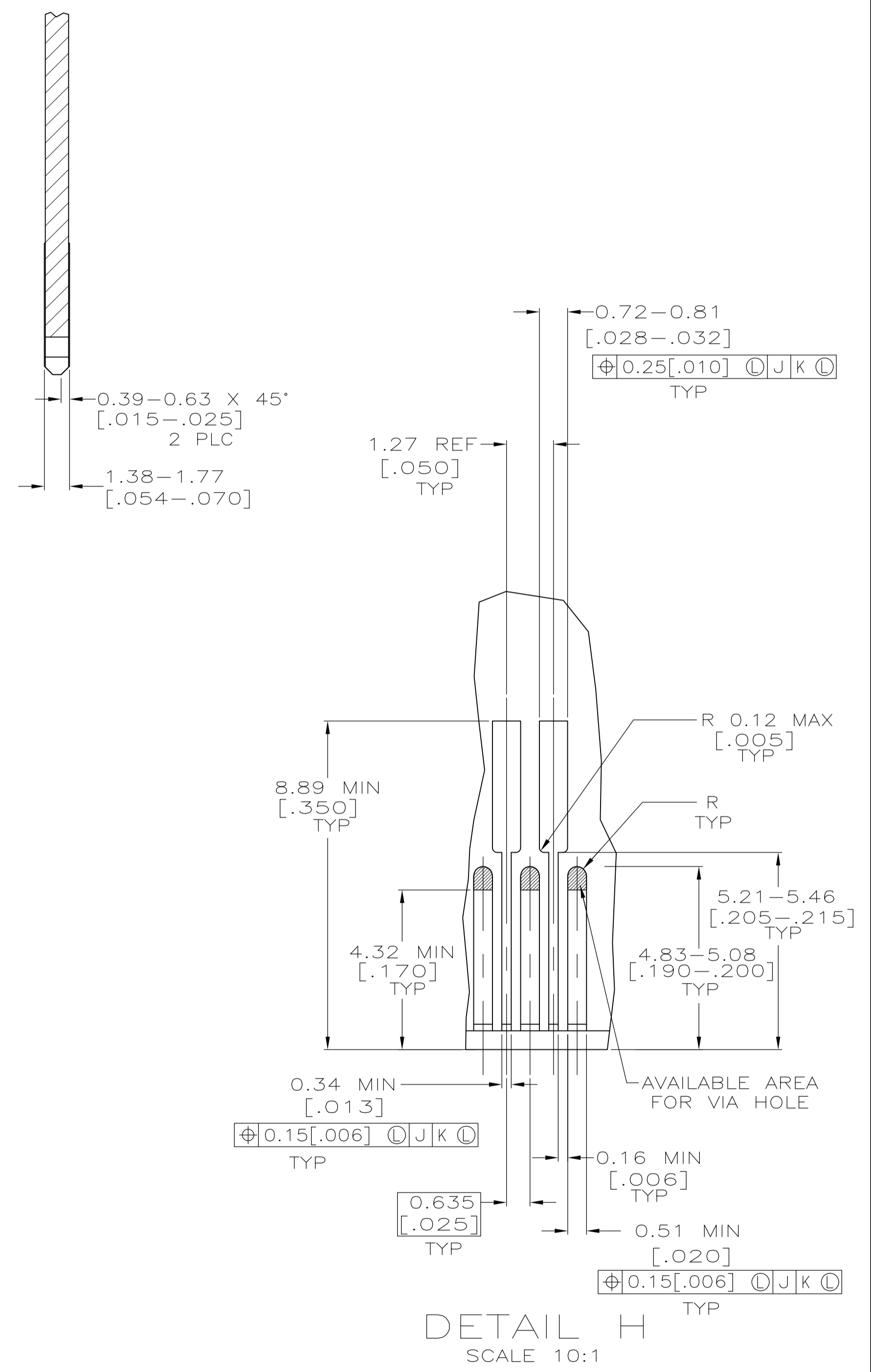
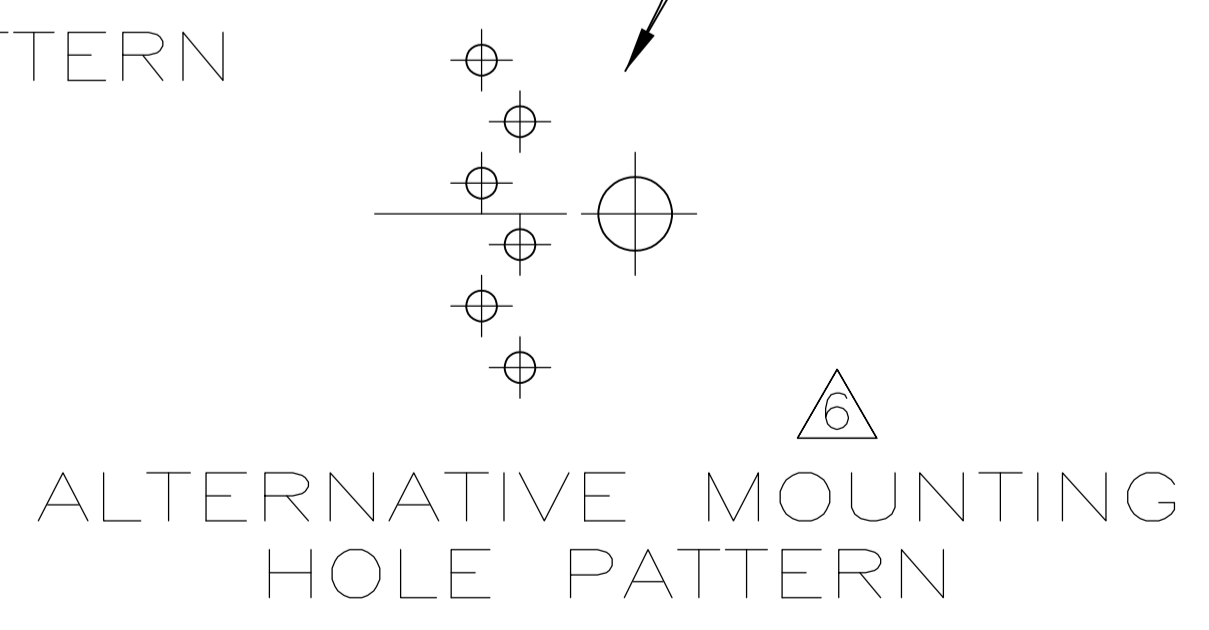
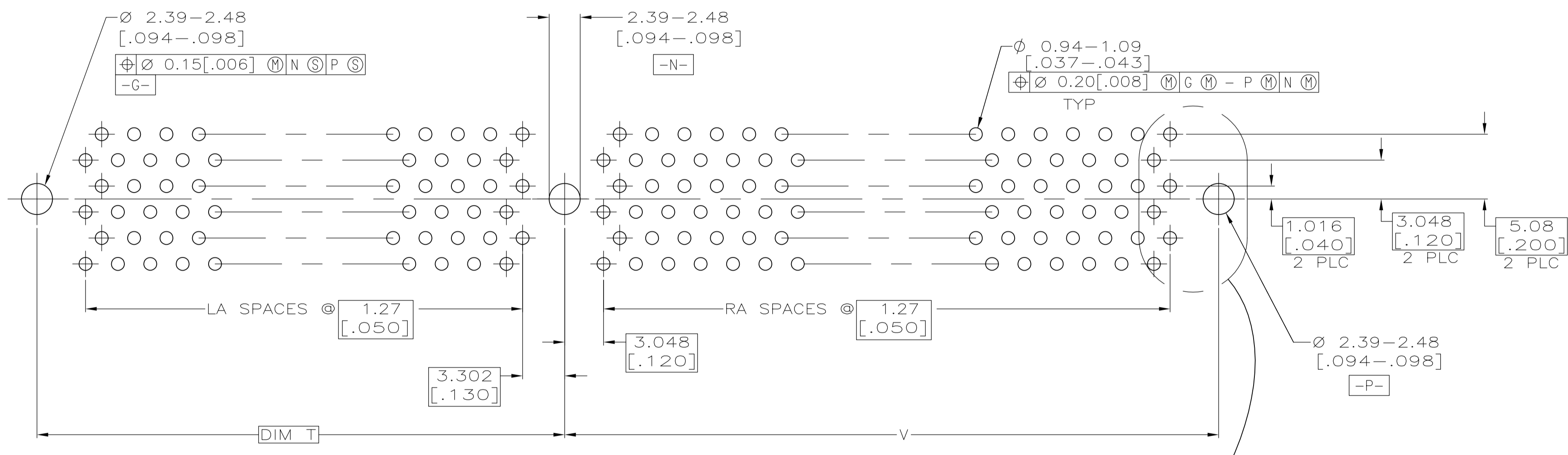
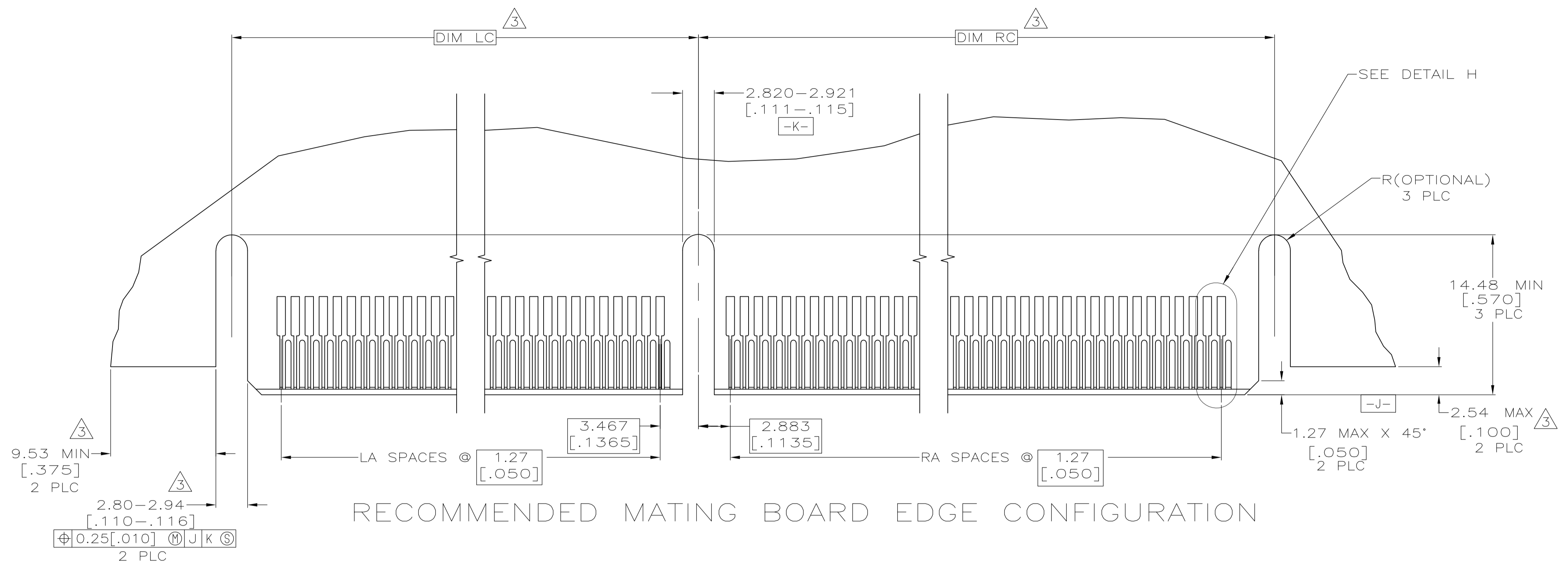
SECTION Y-Y ONLY CONTACTS AT SECTION SHOWN FOR CLARITY TYP

SECTION Z-Z ONLY CONTACTS AT SECTION SHOWN FOR CLARITY TYP



ALTERNATIVE PATTERN

THIS DRAWING IS A CONTROLLED DOCUMENT.		DIN A FERNANDEZ-DOCK5 12-29-04	Tyco Electronics Tyco Electronics Corporation Harrisburg, Pa 17105-3608
DIMENSIONS: INCHES		CHK M PERCHERKE 12-29-04	
TOLERANCES UNLESS OTHERWISE SPECIFIED:		APPD M PERCHERKE 12-29-04	NAME CONNECTOR ASSEMBLY, DUAL POSN, HIGH SPEED, STANDARD EDGE
0 PLC ± -		PRODUCT SPEC	
1 PLC ± -		APPLICATION SPEC	SIZE CAGE CODE DRAWING NO
2 PLC ± .13 [.005]		RESTRICTED TO	A1 00779 C=5145090
3 PLC ± .13 [.005]		WEIGHT	CUSTOMER DRAWING
4 PLC ± -		SCALE 1:1	SHEET 2 OF 3
ANGLES ± 3°		REV B1	



THIS DRAWING IS A CONTROLLED DOCUMENT.		DIN A FERNANDEZ-DOCK5 12-29-04	Tyco Electronics Corporation Harrisburg, Pa 17105-3608
DIMENSIONS: INCHES		CHK M PERCHERKE 12-29-04	
TOLERANCES UNLESS OTHERWISE SPECIFIED:		NAME M PERCHERKE 12-29-04	PRODUCT SPEC
0 PLC ± -		APPLICATION SPEC	RESTRICTED TO
1 PLC ± -		SIZE	CAGE CODE
2 PLC ± .13 [.005]		WEIGHT	DRAWING NO
3 PLC ± -			A1 00779 C=5145090
4 PLC ± -			
ANGLES ± 3°			
MATERIAL	FINISH		
		CUSTOMER DRAWING	SCALE 1:1 SHEET 3 OF 3 REV B1