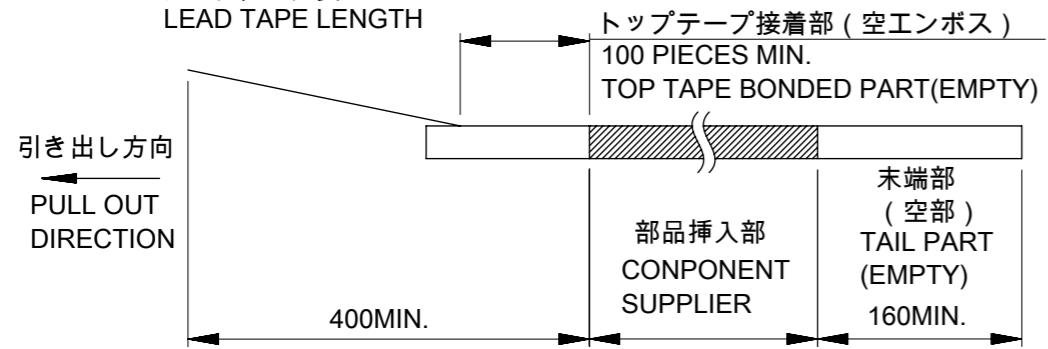


NOTES

1. 製品番号505448**7*の詳細寸法は5054480001PSD000を参照して下さい。
 FOR DETAIL OF 505448**7* DIMENSIONS,
 PLEASE SEE THE 5054480001PSD000 (NOT PACKAGED).

2. 梱包数量 : 500個
 NUMBER OF CONNECTORS : 500 PIECES/REEL.

3. リードテープ長さ
 LEAD TAPE LENGTH



4. 材料 MATERIAL
 キャリアテープ : ポリスチレン (PS)
 CARRIER TAPE : POLYSTYRENE (PS)
 トップテープ : ポリエステル (PET)、その他
 TOP TAPE : POLYESTER (PET)、OTHER
 リール : ポリスチレン (PS) <リサイクル材を含む>
 REEL : POLYSTYRENE (PS) <RECYCLE MATERIAL CONTAINED>

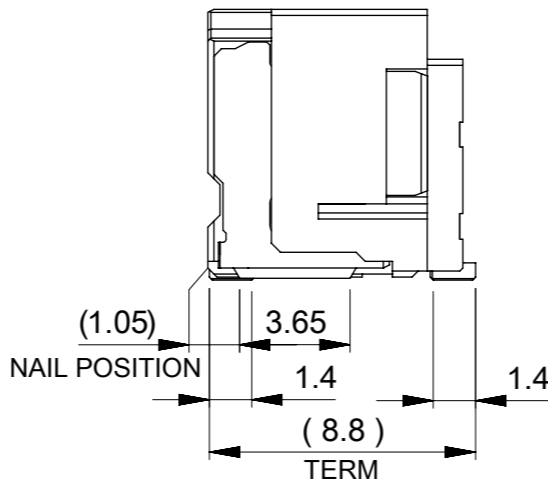
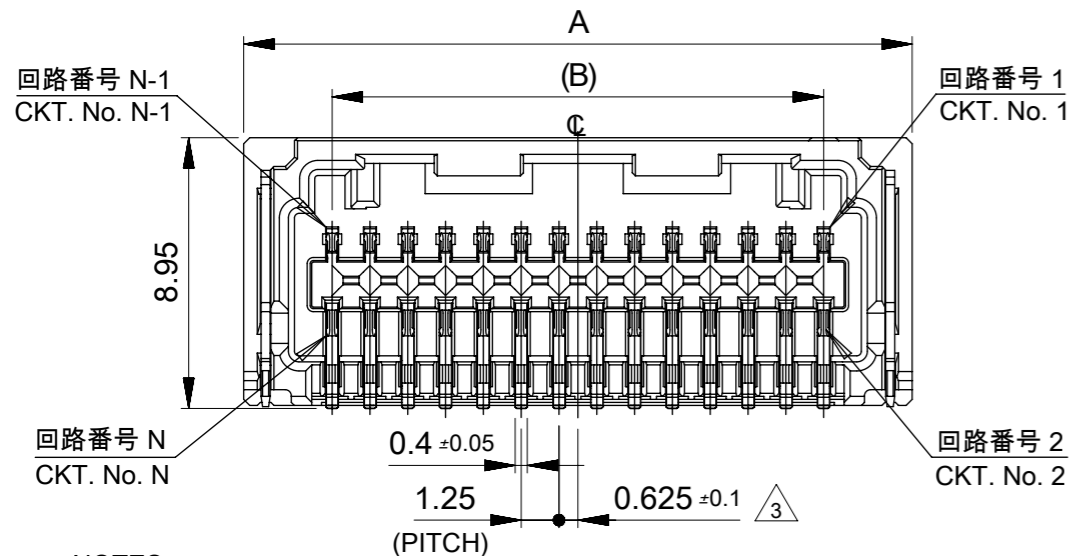
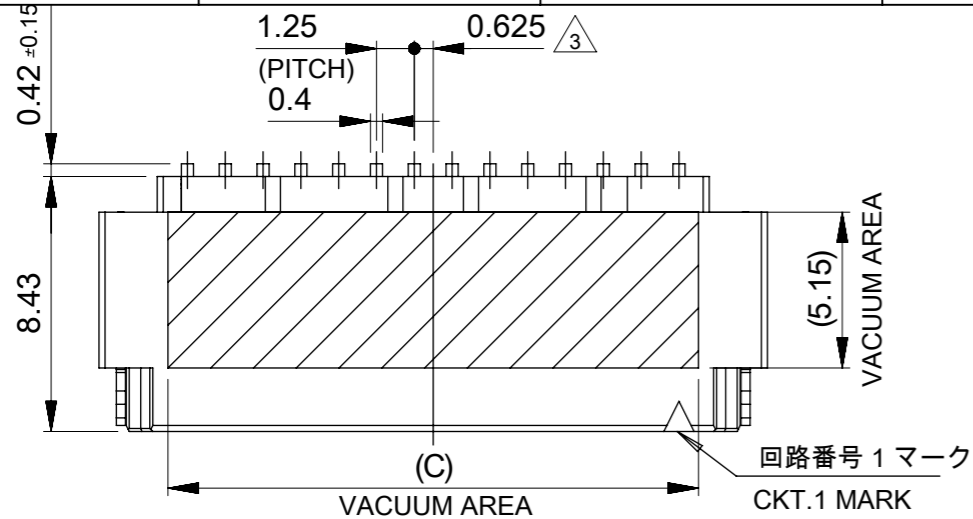
5. トップテープの剥離強度については、IEC60286-3に準拠
 TOP TAPE PEEL FORCE IS DEFINED BY IEC60286-3.

					HSG COLOR GREEN	HSG COLOR BLUE	HSG COLOR RED	HSG COLOR BLACK	HSG COLOR NATURAL	
49.4	45.4	20.2	44	5054484276	5054484274	5054484272	5054484271	5054484270	42	
49.4	45.4	20.2	44	5054484076	5054484074	5054484072	5054484071	5054484070	40	
49.4	45.4	20.2	44	5054483876	5054483874	5054483872	5054483871	5054483870	38	
49.4	45.4	20.2	44	5054483676	5054483674	5054483672	5054483671	5054483670	36	
49.4	45.4	20.2	44	5054483476	5054483474	5054483472	5054483471	5054483470	34	
49.4	45.4	20.2	44	5054483276	5054483274	5054483272	5054483271	5054483270	32	
49.4	45.4	20.2	44	5054483076	5054483074	5054483072	5054483071	5054483070	30	
49.4	45.4	20.2	44	5054482876	5054482874	5054482872	5054482871	5054482870	28	
49.4	45.4	20.2	44	5054482676	5054482674	5054482672	5054482671	5054482670	26	
37.4	33.4	14.2	32	5054482476	5054482474	5054482472	5054482471	5054482470	24	
37.4	33.4	14.2	32	5054482276	5054482274	5054482272	5054482271	5054482270	22	
37.4	33.4	14.2	32	5054482076	5054482074	5054482072	5054482071	5054482070	20	
37.4	33.4	14.2	32	5054481876	5054481874	5054481872	5054481871	5054481870	18	
37.4	33.4	14.2	32	5054481676	5054481674	5054481672	5054481671	5054481670	16	
29.4	25.4	11.5	24	5054481476	5054481474	5054481472	5054481471	5054481470	14	
29.4	25.4	11.5	24	5054481276	5054481274	5054481272	5054481271	5054481270	12	
29.4	25.4	11.5	24	5054481076	5054481074	5054481072	5054481071	5054481070	10	
29.4	25.4	11.5	24	5054480876	5054480874	5054480872	5054480871	5054480870	8	
D	C	B	エンボステープ幅 WIDTH OF TAPE A	エンボス梱包 EMBOSSED TAPE PACKAGE オーダー番号 ORDER NO.	エンボス梱包 EMBOSSED TAPE PACKAGE オーダー番号 ORDER NO.	エンボス梱包 EMBOSSED TAPE PACKAGE オーダー番号 ORDER NO.	エンボス梱包 EMBOSSED TAPE PACKAGE オーダー番号 ORDER NO.	エンボス梱包 EMBOSSED TAPE PACKAGE オーダー番号 ORDER NO.	エンボス梱包 EMBOSSED TAPE PACKAGE オーダー番号 ORDER NO.	極数 CKT. NO

THIS DRAWING CONTAINS INFORMATION THAT IS PROPRIETARY TO MOLEX ELECTRONIC TECHNOLOGIES, LLC AND SHOULD NOT BE USED WITHOUT WRITTEN PERMISSION

RELEASED	EC NO: 112331	GENERAL TOLERANCES (UNLESS SPECIFIED)	DIMENSION UNITS	SCALE		
	DRWN: TAKAIKE	ANGULAR TOL ± 3.0 °	MM	NTS		
	CHK'D: KOMURAKAMI	4 PLACES ± 0.2	DRWN BY	DATE		TAKAIKE 2017/01/18
	REV APPR: TKANEKO	3 PLACES ± 0.2	CHK'D BY	DATE		KOMURAKAMI 2017/03/30
		2 PLACES ± 0.2	APPR BY	DATE		
		1 PLACE ± 0.2	TKANEKO	2017/04/03		
		0 PLACES ± 0.2	DRAWING SIZE	THIRD ANGLE PROJECTION		
			A3			
		DRAFT WHERE APPLICABLE MUST REMAIN WITHIN DIMENSIONS				

SERIES		MATERIAL NUMBER		CUSTOMER	
505448		SEE TABLE		GENERAL	
DOCUMENT NUMBER		DOC TYPE	DOC PART	SHEET NUMBER	
5054480000		PSD	000	1 OF 1	



NOTES

1. 嵌合相手 : 505432**0*
MATE WITH : 505432**0*
2. 端子テール部 及び ネイルの平坦度 : 0.12MAX.
TAIL AND NAIL COPLANARITY TO BE 0.12 MAX.
3. 極数 / 2 = 偶数に適用。
APPLY FOR CKT. SIZE / 2 = EVEN.
4. 端子テール部に錫めつきを使用しているため、
外観に摺動痕が付く場合がございます。
THE WOUND OF FRICTION MIGHT ADHERE TO EXTERNALS
BECAUSE THE TIN PLATING IS USED FOR THE TAIL.
5. 本製品のプラスチック部に黒点等が確認される場合や
色合いが異なる場合がありますが、製品性能に影響はありません。
THERE IS NO INFLUENCE IN THE PRODUCT PERFORMANCE THOUGH
THE BLACK SPOT ETC. MIGHT BE CONFIRMED TO THE PLASTIC PART
OF THIS PRODUCT AND THE SHADE MIGHT BE DIFFERENT.
6. コネクタの詳細な取り扱いにつきましては、
アプリケーション仕様書(AS-505432-001, -002)を参照して下さい。
PLEASE REFER TO THE APPLICATION SPECIFICATION (AS-505432-001, -002)
ABOUT THE DETAILED HANDLING OF THE CONNECTOR.
7. コネクタの仕様につきましては、
製品仕様書(5054320000PS002)を参照して下さい。
PLEASE REFER TO THE PRODUCT SPECIFICATION
(5054320000PS002) ABOUT THE SPECIFICATION
OF THE CONNECTOR.

8. オーダー番号と極数、色の関係
RELATION ORDER NUMBER AND COLOR, CKT.

505448**7*	NO.	COLOR
↑	0	NATURAL
↑	1	BLACK
↑	2	RED
↑	4	BLUE
↑	6	GREEN

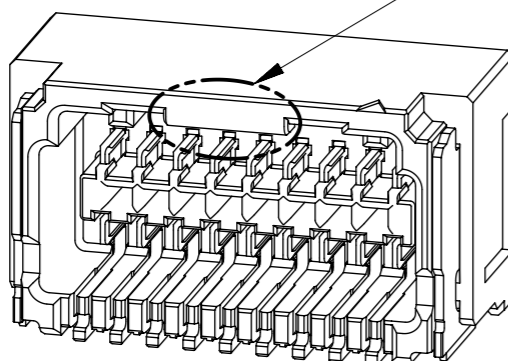
			HSG COLOR GREEN	HSG COLOR BLUE	HSG COLOR RED	HSG COLOR BLACK	HSG COLOR NATURAL	
26.25	25	30.85	5054484276	5054484274	5054484272	5054484271	5054484270	42
25	23.75	29.6	5054484076	5054484074	5054484072	5054484071	5054484070	40
23.75	22.5	28.35	5054483876	5054483874	5054483872	5054483871	5054483870	38
22.5	21.25	27.1	5054483676	5054483674	5054483672	5054483671	5054483670	36
21.25	20	25.85	5054483476	5054483474	5054483472	5054483471	5054483470	34
20	18.75	24.6	5054483276	5054483274	5054483272	5054483271	5054483270	32
18.75	17.5	23.35	5054483076	5054483074	5054483072	5054483071	5054483070	30
17.5	16.25	22.1	5054482876	5054482874	5054482872	5054482871	5054482870	28
16.25	15	20.85	5054482676	5054482674	5054482672	5054482671	5054482670	26
15	13.75	19.6	5054482476	5054482474	5054482472	5054482471	5054482470	24
13.75	12.5	18.35	5054482276	5054482274	5054482272	5054482271	5054482270	22
12.5	11.25	17.1	5054482076	5054482074	5054482072	5054482071	5054482070	20
11.25	10	15.85	5054481876	5054481874	5054481872	5054481871	5054481870	18
10	8.75	14.6	5054481676	5054481674	5054481672	5054481671	5054481670	16
8.75	7.5	13.35	5054481476	5054481474	5054481472	5054481471	5054481470	14
7.5	6.25	12.1	5054481276	5054481274	5054481272	5054481271	5054481270	12
6.25	5.0	10.85	5054481076	5054481074	5054481072	5054481071	5054481070	10
5	3.75	9.6	5054480876	5054480874	5054480872	5054480871	5054480870	8
C	B	A	エンボス梱包 EMBOSSED TAPE PACKAGE	エンボス梱包 EMBOSSED TAPE PACKAGE	エンボス梱包 EMBOSSED TAPE PACKAGE	エンボス梱包 EMBOSSED TAPE PACKAGE	エンボス梱包 EMBOSSED TAPE PACKAGE	極数 CKT. NO
			オーダー番号 ORDER NO.	オーダー番号 ORDER NO.	オーダー番号 ORDER NO.	オーダー番号 ORDER NO.	オーダー番号 ORDER NO.	

部品 PART	材質 MATERIAL
ハウジング HOUSING	POLYAMIDE(PA) UL94V-0 色 : 表参照 POLYAMIDE(PA) UL94V-0 COLOR : SEE CHART
ターミナル 及び ネイル TERM AND NAIL	黄銅 BRASS 錫ビスマスめつき : 1.0 micro-meter MIN. TIN-BISMUTH PLATED ニッケルめつき (下地) : 1.0 micro-meter MIN. NICKEL (UNDER PLATING)

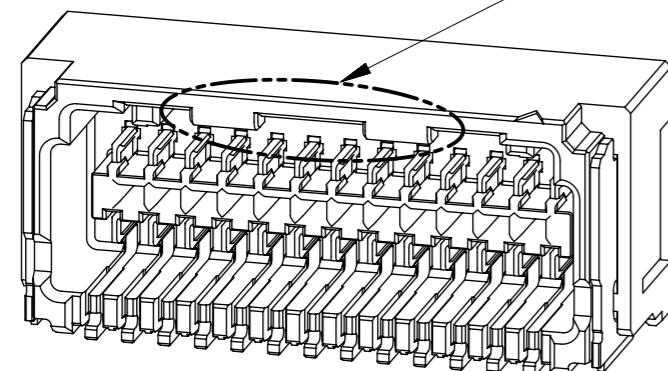
THIS DRAWING CONTAINS INFORMATION THAT IS PROPRIETARY TO MOLEX ELECTRONIC TECHNOLOGIES, LLC AND SHOULD NOT BE USED WITHOUT WRITTEN PERMISSION

RELEASED EC NO: 112331 DRWN: TAKAIKE CHK'D: KOMURAKAMI REV APPR: TKANEKO	GENERAL TOLERANCES (UNLESS SPECIFIED)	DIMENSION UNITS	SCALE	
	4 PLACES ± 0.2	MM	4:1	
	3 PLACES ± 0.2	DRWN BY	DATE	
	2 PLACES ± 0.2	TAKAIKE	2017/02/10	
1 PLACE ± 0.2	CHK'D BY	DATE		
0 PLACES ± 0.2	KOMURAKAMI	2017/03/30		
DRAFT WHERE APPLICABLE MUST REMAIN WITHIN DIMENSIONS	APPR BY	DATE		
	TKANEKO	2017/04/03		
	DRAWING SIZE	THIRD ANGLE PROJECTION		
	A3			
	PRODUCT CUSTOMER DRAWING			
	SERIES	MATERIAL NUMBER	CUSTOMER	
	505448	SEE TABLE	GENERAL	
	DOCUMENT NUMBER	DOC TYPE	DOC PART	SHEET NUMBER
	5054480001	PSD	000	1 OF 2

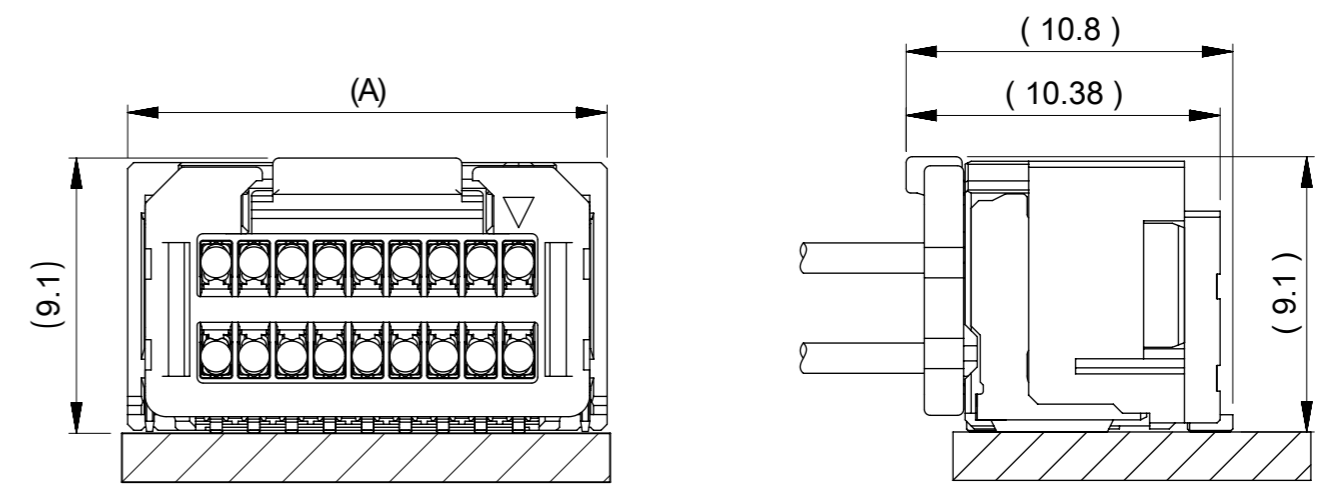
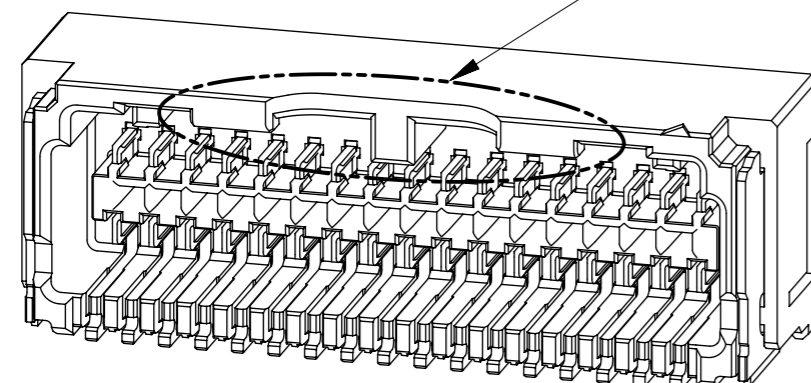
8-24CKT. 係止形状
LOCK SHAPE OF 8-24CKT.



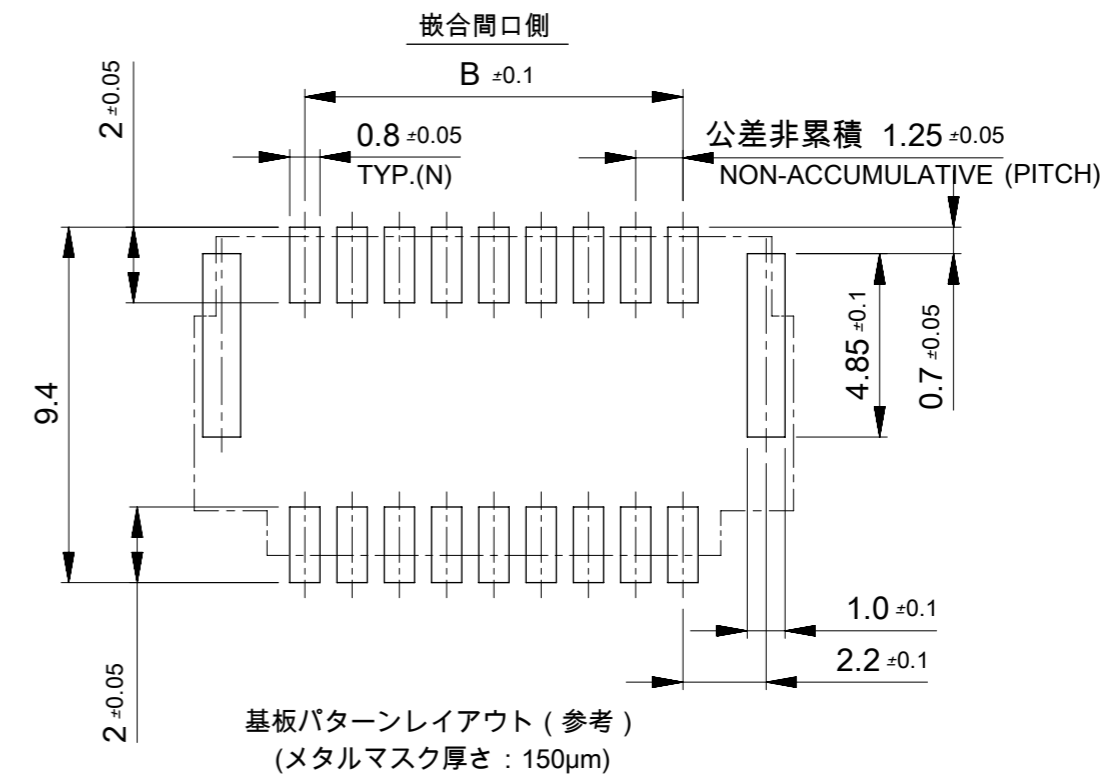
26-32CKT. 係止形状
LOCK SHAPE OF 26-32CKT.



34-42CKT. 係止形状
LOCK SHAPE OF 34-42CKT.



嵌合状態図
MATED CONNECTORS



RECOMMENDED P.C.B. PATTERN LAYOUT (REF.)
(METAL MASK THICKNESS : 150µm)

THIS DRAWING CONTAINS INFORMATION THAT IS PROPRIETARY TO MOLEX ELECTRONIC TECHNOLOGIES, LLC AND SHOULD NOT BE USED WITHOUT WRITTEN PERMISSION										
RELEASED	EC NO. 112331	DRWN: TAKAIKE	CHK'D: KOMURAKAMI	APPR: TKANEKO	2017/02/10	2017/03/30	2017/04/03	GENERAL TOLERANCES (UNLESS SPECIFIED)	DIMENSION UNITS	SCALE
					4 PLACES ± 0.2	3 PLACES ± 0.2	2 PLACES ± 0.2	1 PLACE ± 0.2	MM	4:1
					0 PLACES ± 0.2	ANGULAR TOL ± 3.0 °			DRWN BY	DATE
									TAKAIKE	2017/02/10
									CHK'D BY	DATE
								KOMURAKAMI	2017/03/30	
								APPR BY	DATE	
								TKANEKO	2017/04/03	
								DRAWING SIZE	THIRD ANGLE PROJECTION	
								A3		
								DRAFT WHERE APPLICABLE MUST REMAIN WITHIN DIMENSIONS		
SERIES		MATERIAL NUMBER		CUSTOMER		PRODUCT CUSTOMER DRAWING				
505448		SEE TABLE		GENERAL						
DOCUMENT NUMBER			DOC TYPE	DOC PART	SHEET NUMBER					
5054480001			PSD	000	2 OF 2					