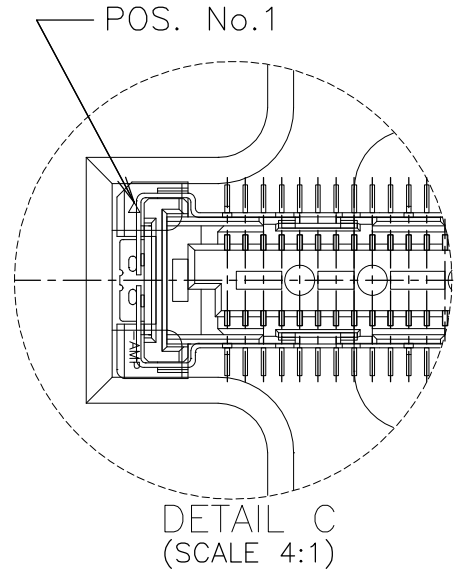
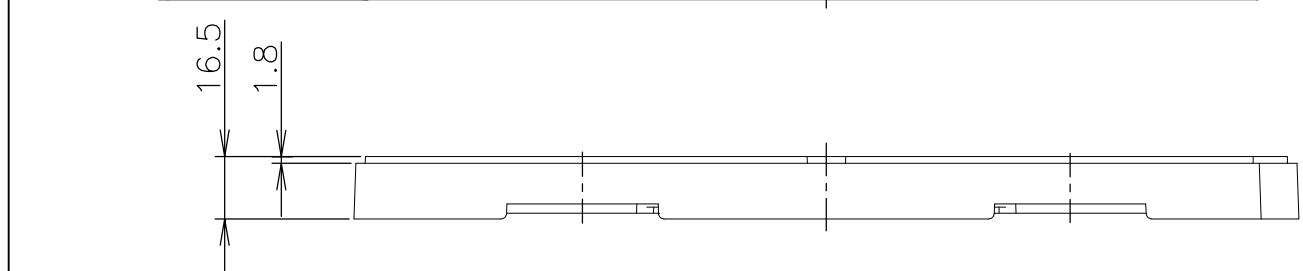
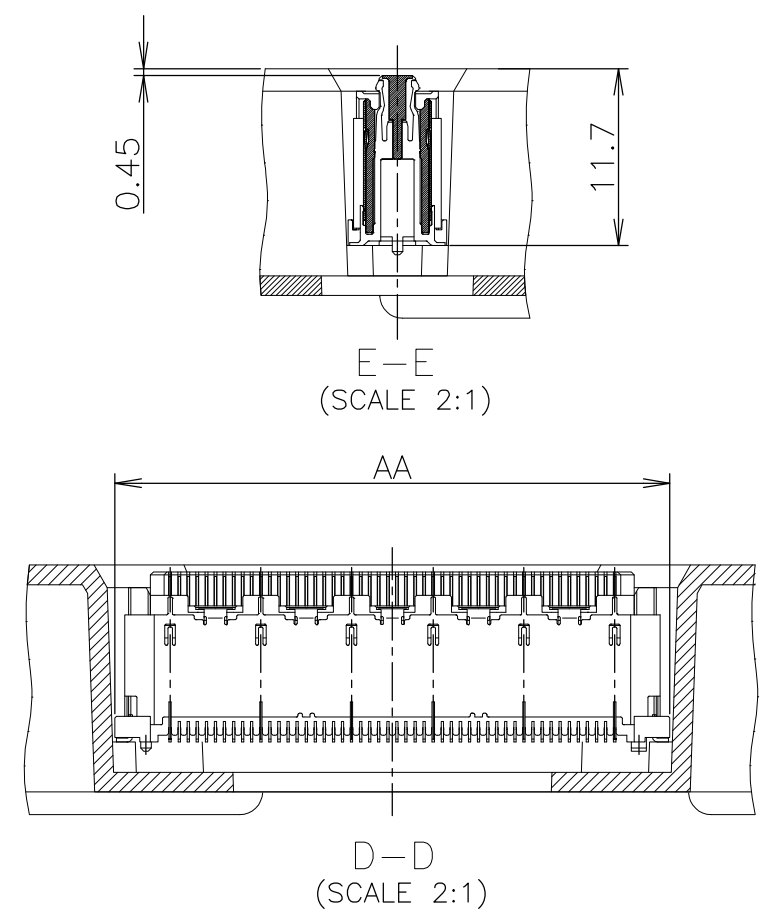
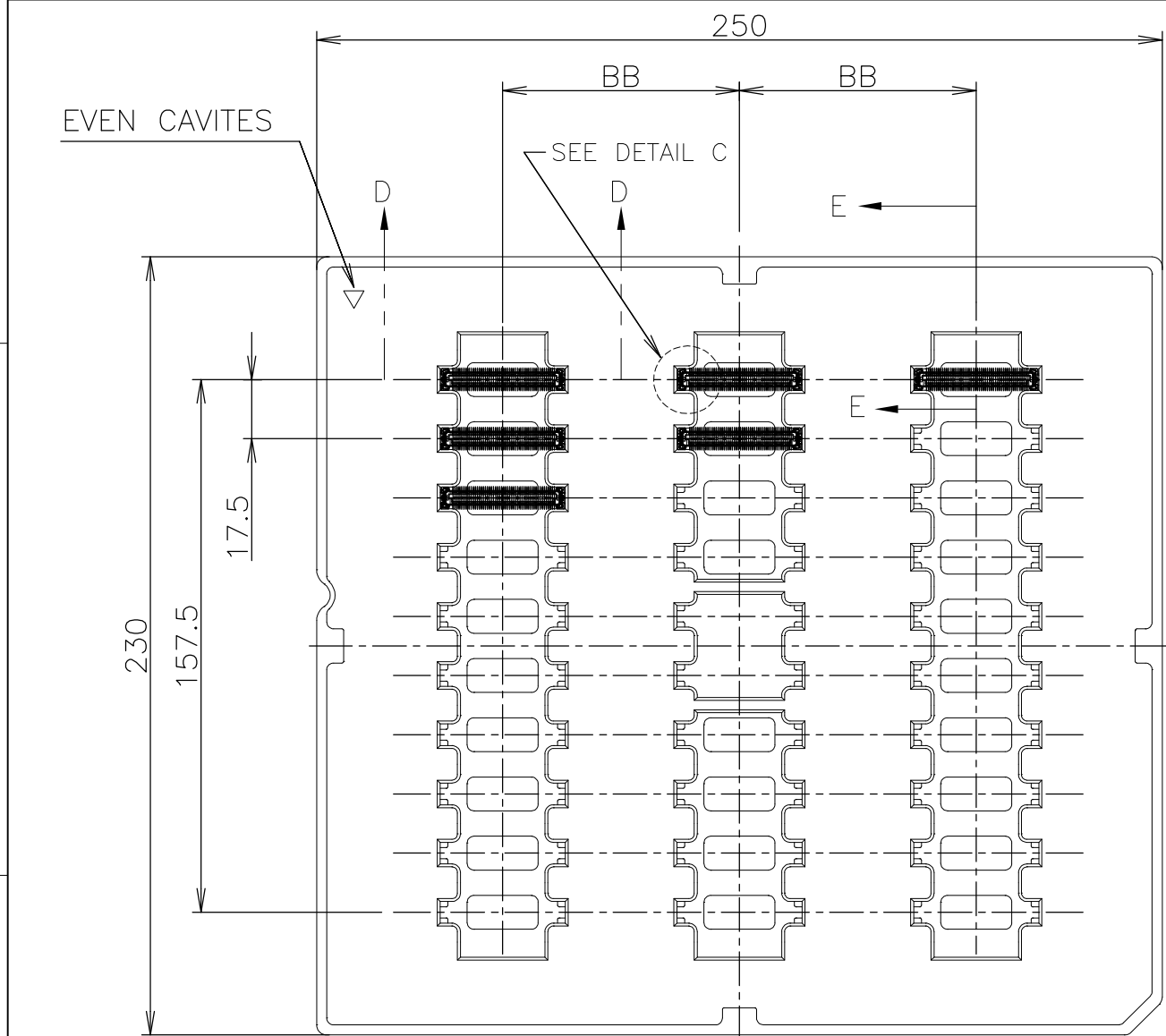


THIS DRAWING IS UNPUBLISHED. RELEASED FOR PUBLICATION NOV, 1995.
 © COPYRIGHT 1995 By - ALL RIGHTS RESERVED.

LOC	DIST	REVISIONS			DATE	DWN	APVD
		P	LTR	DESCRIPTION			
J		B	REVISED	ECR-13-007649	07MAY13	I.T	S.Y



NON SEALANT	AVAILABLE	3	30	70	48.7	140	6-5316318-0
	AVAILABLE	3	30	70	54.7	160	1-5316318-1
	AVAILABLE	↑	↑	↑	48.7	140	1-↑-0
	NOT AVAILABLE				42.7	120	↑-9
	↑	↓	↓	↓	36.7	100	↑-8
	↑	3	30	70	33.7	90	↑-7
	↑	5	50	43	30.7	80	↑-6
	↑	↑	↑	↑	27.7	70	↑-5
	↑				24.7	60	↑-4
	↑				21.7	50	↑-3
SEALANT	TOOLING STATUS	ROW	QTY	BB	AA	POS.	PART NO.
↓	↓	↓	↓	↓	↓	↓	↓
		5	50	43	15.7	30	5316318-1

THIS DRAWING IS A CONTROLLED DOCUMENT.

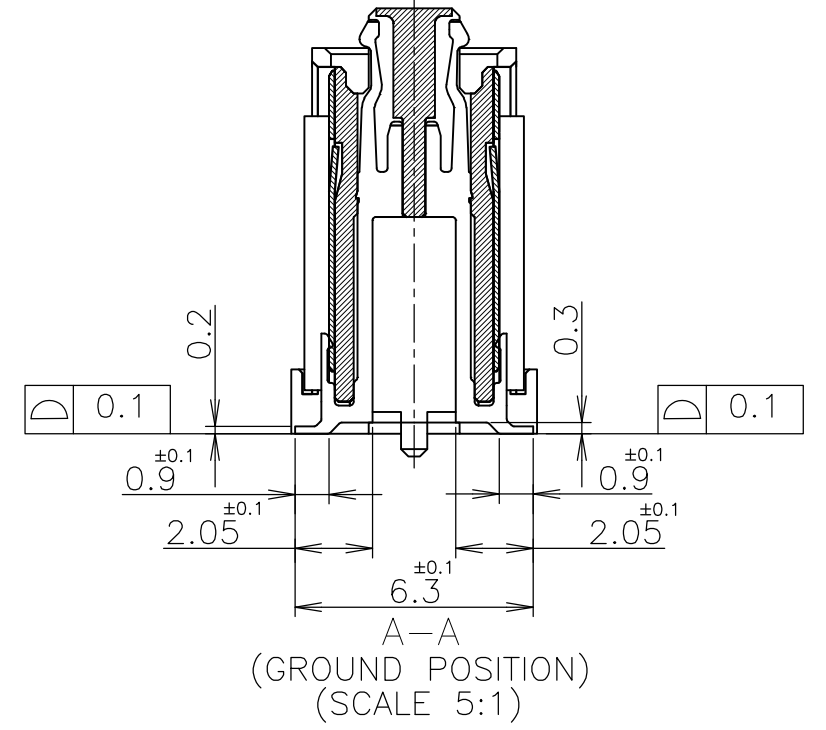
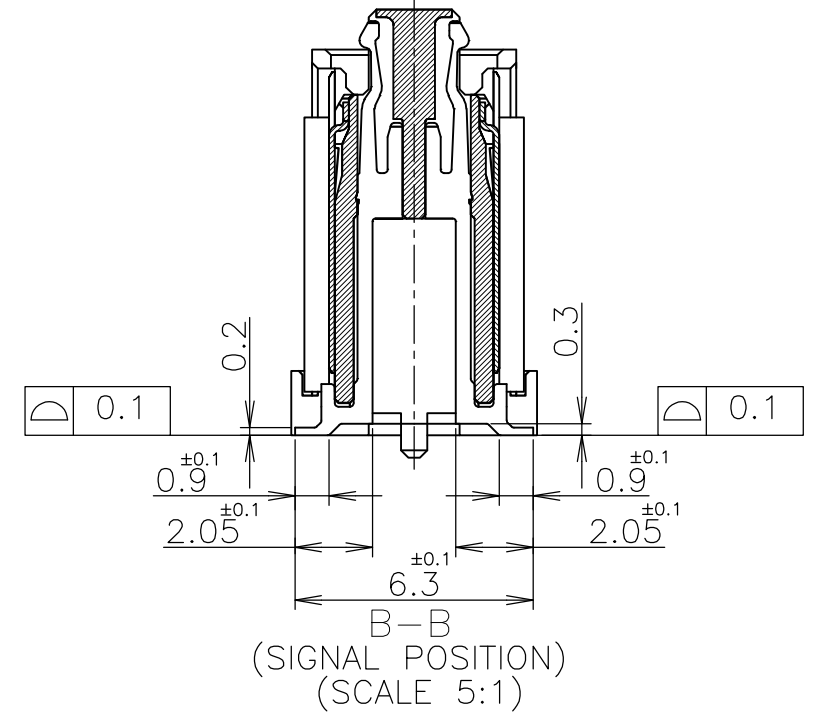
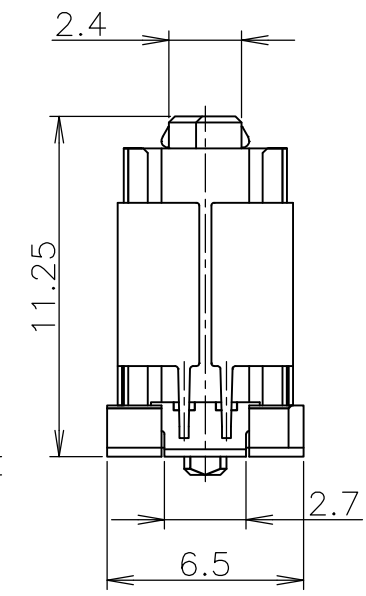
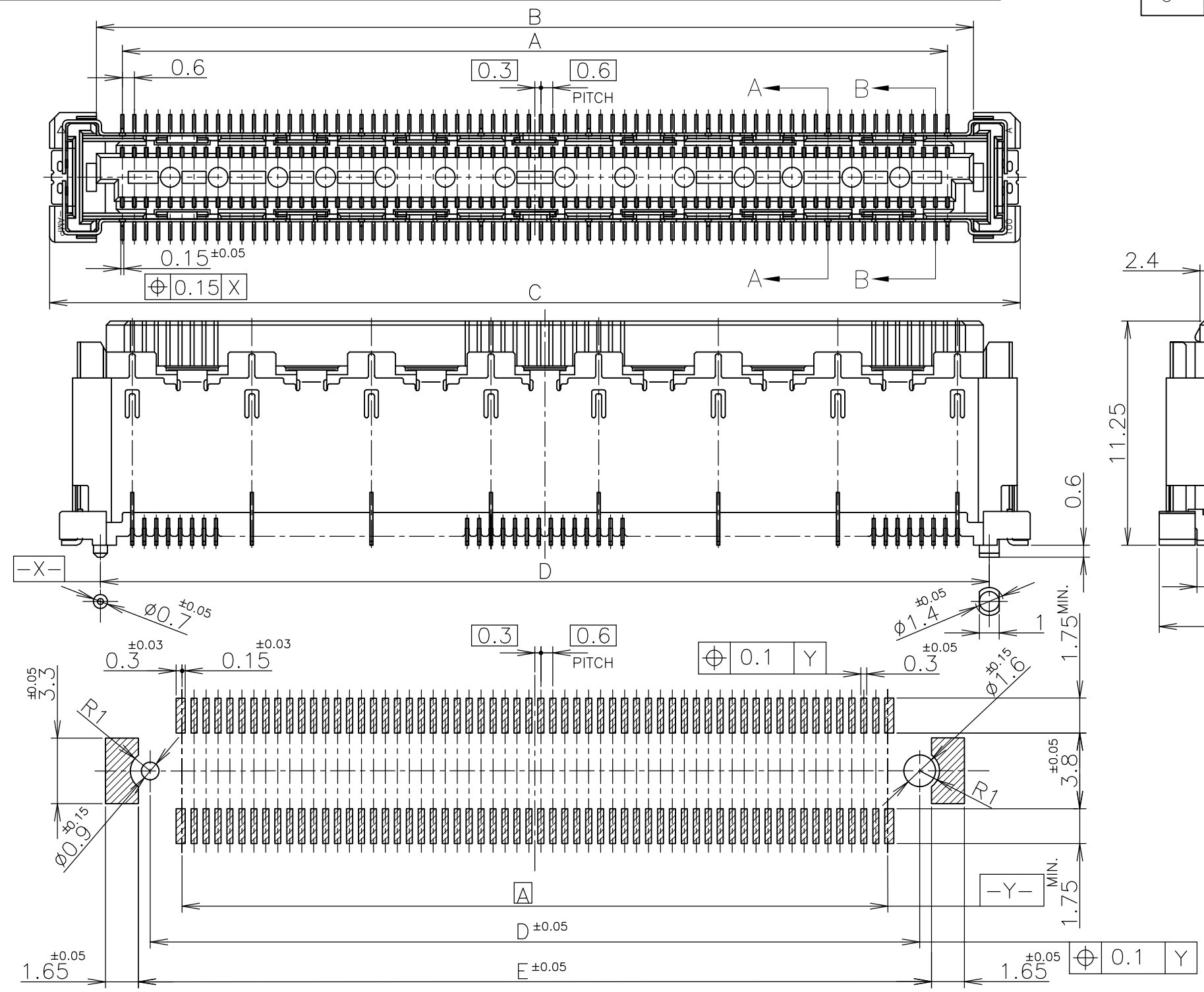
DIMENSIONS: 单位: 耗 mm	TOLERANCES UNLESS OTHERWISE SPECIFIED: 一般公差
0 PLC ± -	1 PLC ± -
2 PLC ± -	3 PLC ± -
4 PLC ± -	ANGLES ± -
MATERIAL 材料	FINISH 仕上

GENERAL TOLERANCE 一般公差
10 ≥ ±0.2
30 ≥ >10: ±0.25
100 ≥ >30: ±0.3
ANGLES: ±3°

DWN LEO ZHOU 11NOV04
 CHK STEVEN YAO 11NOV04
 APVD IKUO ENOMOTO 11NOV04
 NAME 名称
STE TE Connectivity
 HARD TRAY ASSY
 FH 0.6BTB CONNECTOR
 REC 12H W/G-CONT
 PRODUCT SPEC 製品規格 108-60047
 APPLICATION SPEC 取付適用規格 114-5255
 WEIGHT
 SIZE A3 CAGE CODE 00779 DRAWING NO 番号 G-5316318 RESTRICTED TO
 CUSTOMER DRAWING SCALE 尺度 1:2 SHEET 1 OF 3 REV B

THIS DRAWING IS UNPUBLISHED. RELEASED FOR PUBLICATION NOV. 1995.
 © COPYRIGHT 1995 By - ALL RIGHTS RESERVED.

LOC	DIST	REVISIONS			DATE	DWN	APVD
		P	LTR	DESCRIPTION			
J				SEE SHEET 1	-	-	-



AVAILABLE	51.8	50.6	54.7	50	47.4	160
AVAILABLE	45.8	44.6	48.7	44	41.4	140
NOT AVAILABLE	39.8	38.6	42.7	38	35.4	120
↑	33.8	32.6	36.7	32	29.4	100
	30.8	29.6	33.7	29	26.4	90
	27.8	26.6	30.7	26	23.4	80
	24.8	23.6	27.7	23	20.4	70
	21.8	20.6	24.7	20	17.4	60
	19.8	17.6	21.7	17	14.4	50
	15.8	14.6	18.7	14	11.4	40
NOT AVAILABLE	12.8	11.6	15.7	11	8.4	30
TOOLING STATUS	E	D	C	B	A	POS

GENERAL TOLERANCE
一般公差

10 ≥ ±0.2
30 ≥ >10: ±0.25
100 ≥ >30: ±0.3
ANGLES: ±3°

THIS DRAWING IS A CONTROLLED DOCUMENT.

DIMENSIONS: 单位: 耗 mm

TOLERANCES UNLESS OTHERWISE SPECIFIED: 一般公差

0 PLC ± -
1 PLC ± -
2 PLC ± -
3 PLC ± -
4 PLC ± -
ANGLES ± -

FINISH 仕上

MATERIAL 材料

DWN
CHK
APVD
PRODUCT SPEC 製品規格
APPLICATION SPEC 取付適用規格
WEIGHT

STE TE Connectivity

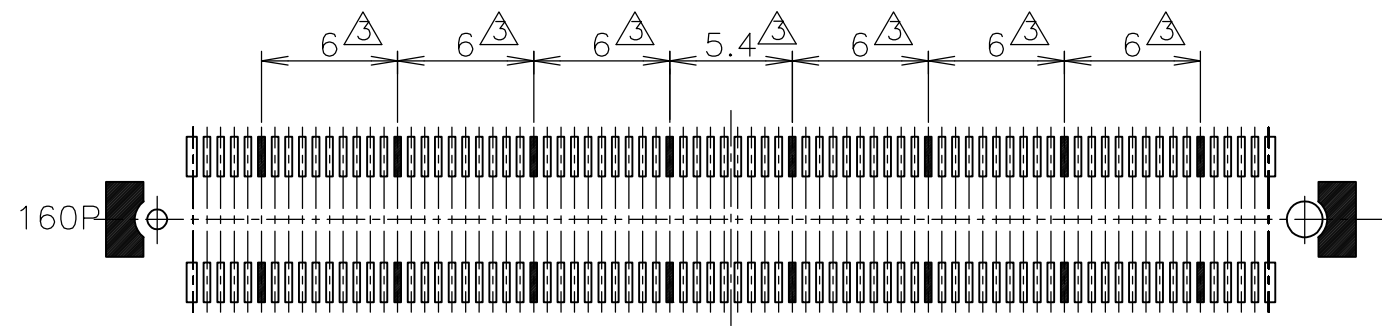
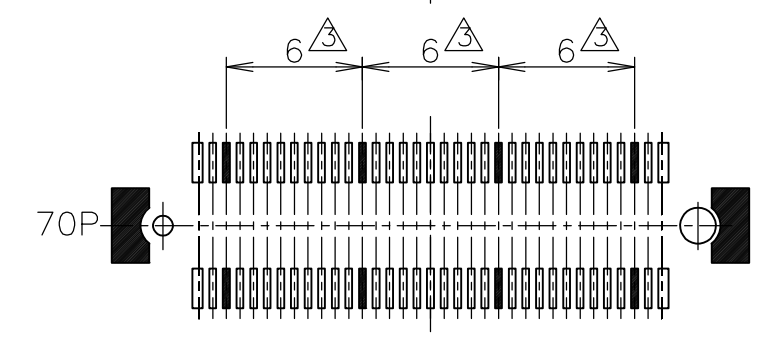
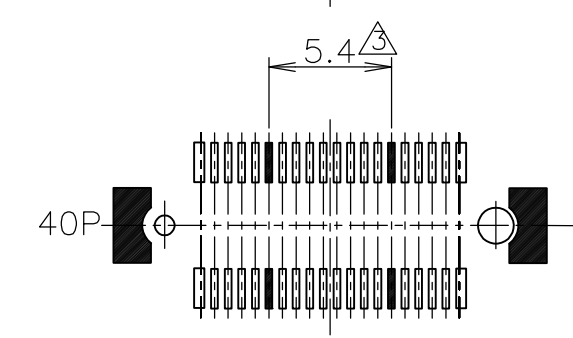
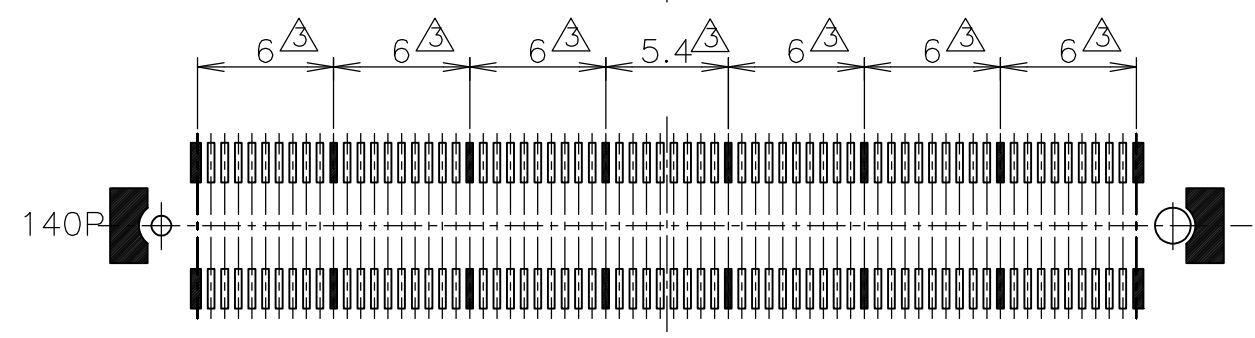
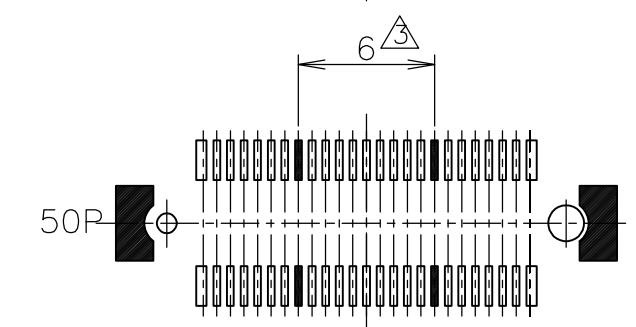
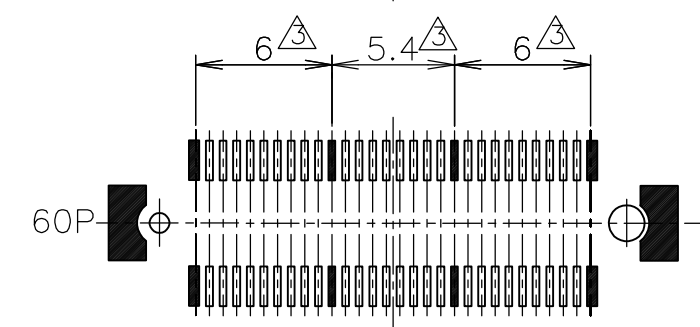
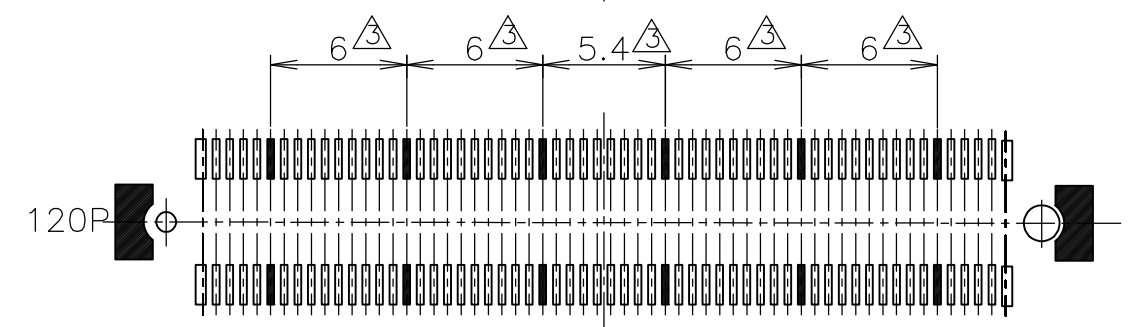
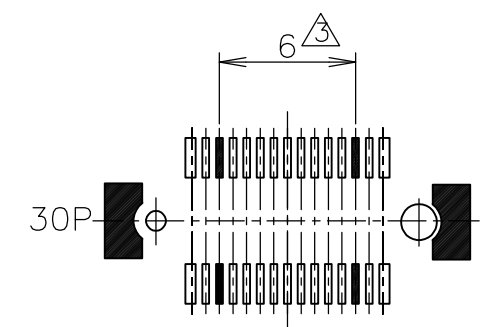
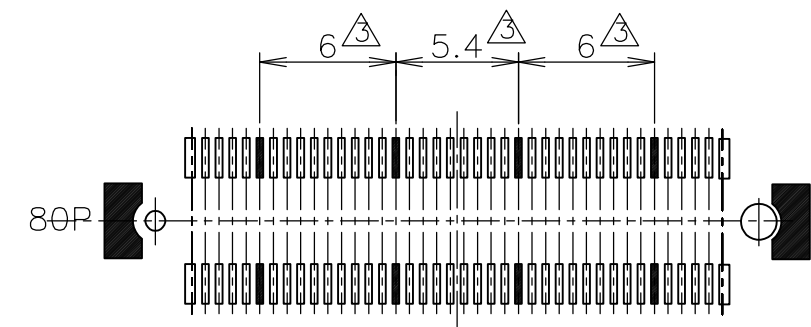
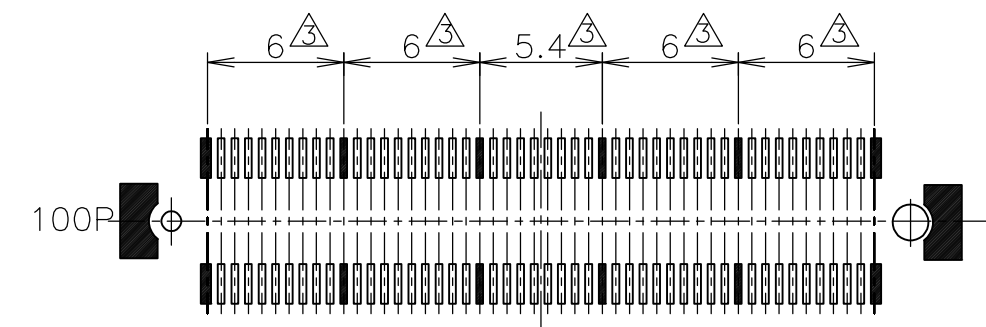
NAME 名称
HARD TRAY ASSY
FH 0.6BTB CONNECTOR
REC 12H W/G-CONT

SIZE A3 CAGE CODE 00779 DRAWING NO. 番号 G-5316318 RESTRICTED TO

CUSTOMER DRAWING SCALE 尺度 4:1 SHEET 2 OF 3 REV B

THIS DRAWING IS UNPUBLISHED. RELEASED FOR PUBLICATION NOV , 1995.
 © COPYRIGHT 1995 By - ALL RIGHTS RESERVED.

LOC	DIST	REVISIONS		
J		P	LTR	DESCRIPTION
		-		SEE SHEET 1
			DATE	DWN
			-	-
			APVD	-



- ① MATERIAL ; HOUSING : HIGH TEMP THERMO PLASTIC UL94V-0
CONTACT : COPPER ALLOY
- ② FINISH ; UNDER PL Ni 0.0013mm MIN ALL OVER.
CONTACT AREA 0.0002 MIN Au PL.
SOLDERING AREA 0.001 MIN TIN PL.
- ③ THIS POSITION IS GROUND CIRCUIT.

GENERAL TOLERANCE
 一般公差
 10 ≥ : ±0.2
 30 ≥ >10 : ±0.25
 100 ≥ >30 : ±0.3
 ANGLES : ±3°

THIS DRAWING IS A CONTROLLED DOCUMENT.

DIMENSIONS: 单位: 耗 mm	TOLERANCES UNLESS OTHERWISE SPECIFIED: 一般公差
	0 PLC ± - 1 PLC ± - 2 PLC ± - 3 PLC ± - 4 PLC ± - ANGLES ± -
MATERIAL 材料	FINISH 仕上
①	②

DWN	STE TE Connectivity		
CHK	NAME 名称		
APVD	HARD TRAY ASSY FH 0.6BTB CONNECTOR REC 12H W/G-CONT		
PRODUCT SPEC 製品規格	SIZE	CAGE CODE	DRAWING NO 番号
APPLICATION SPEC 取付適用規格	A3	00779	G-5316318
WEIGHT	CUSTOMER DRAWING		RESTRICTED TO
	SCALE 尺度	SHEET	REV
	3:1	3 OF 3	B