

# SA.31m, SA.33m, and SA.35m

## Quantum™ Miniature Atomic Clock (MAC)



Miniature Rubidium Atomic Clock

### Features

- High precision atomic clock
- Smallest form factor (smaller than most OCXOs)
- Standard quartz oscillator pinouts
- Low power consumption
- RoHs 6/6 compliant

### Applications

- Stand-alone (free-run) stable frequency source for audio equipment, LTE base stations, smart grid and enterprise network infrastructure
- Extended holdover for CDMA and WiMAX base stations
- Stability for various other communication and transmission applications

## Newly Enhanced Quantum™ MAC SA.3X Family

The Microsemi SA.3Xm marks a major step forward in the evolution of rubidium atomic clocks. Based on a new generation of atomic clock technology, the SA.3Xm family has a unique package that enables unprecedented miniaturization in a rubidium clock. It is suitable for applications requiring compact design, low power consumption, extended aging, and precision in an economical and easily adaptable package.

## Smallest Commercially Available Rubidium Clock

Microsemi has leveraged the significant advances in miniaturization and integration to design the world's first commercially available miniature atomic clock. The SA.3Xm has physical dimensions and packaging of a small ovenized crystal oscillator (OCXO), measuring 50.8 mm x 50.8 mm (2" x 2") and standing at a mere 18.3 mm (0.72"). The MAC is the world's first commercially available Rubidium Coherent Population Trapping atomic clock. It consumes less power and has wide-spectrum temperature operation. This makes it useful for a range of timing and synchronization applications—wireless base station, wire line network infrastructure, defense system, and test and measurement devices. The small size of the SA.3Xm enables it to be easily mounted to a PCBA.

## SA.31m

The SA.31m is targeted for applications that require an economical solution for frequency stability, such as audio equipment in studio applications. It can also be used as an independent frequency source for next generation base stations, smart grid infrastructure and Enterprise network infrastructure. It enables transition from costly TDM backhaul transport to economic and efficient Ethernet transport.

## SA.33m

The SA.33m has superior aging and tempco, and better stability and phase noise than the SA.31m. The SA.33m may be deployed in existing rubidium applications such as extended holdover (for CDMA / CDMA 2000 or WiMAX).

## SA.35m

The SA.35m is the premium grade of the entire SA.3Xm family. It has the best tempco and greatest performance amongst all the versions of the family. The SA.35m is suited for applications such as extended hold over for LTE-TDD base stations and other applications that require precision frequency and long hold-over. Economical for its performance level, the SA.35m delivers premium performance at an excellent price.



Microsemi invented portable atomic timekeeping with QUANTUM™, the world's first family of miniature and chip scale atomic clocks.

Choose QUANTUM™ class for best-in-class stability, size, weight, and power consumption.

# SA.31m, SA.33m, and SA.35m

## Specifications

### Electrical Specification

Output Frequency/Waveform:	10 MHz 3.3 Vpp (Max = 4 Vpp) ACMOS square wave (15 pF load)		
Logic Level:	VL <0.5 V, VH >2.7 V (15 pF load)		
Rise/Fall Time:	<10 ns		
Duty Cycle:	50%+/-10%		
Phase Noise (SSB)	SA.35m/SA.33m	SA.31m	
1 Hz	<-70 dBc/Hz	<-65 dBc/Hz	
10 Hz	<-87 dBc/Hz	<-85 dBc/Hz	
100 Hz	<-114 dBc/Hz	<-112 dBc/Hz	
1 kHz	<-130 dBc/Hz	<-130 dBc/Hz	
10 kHz	<-140 dBc/Hz	<-140 dBc/Hz	
Spurious:			
Non-Harmonic:	<-85 dBc		
Temperature Coefficient [peak to peak]:	SA.35m	SA.33m	SA.31m
(0°C to 70°C)	≤7E-11	≤1E-10	≤7E-10
(-10°C to 75°C)	≤1E-10	≤1.5E-10	≤1E-9
Accuracy at shipment:	<±5E-11 (25°C)		
Retrace:	<±5E-11 (on-off-on: 24 hour, 48 hour, 12 hour @25°C)		
Control range:			
With analog input:	±1E-8, 0-5 V into 5 kΩ		
With digital input:	±2E-8 (with resolution ±1E-12)		
Warm-up time:	time to <1E-9 @25°C: <7.5 min (if mounted on the developer's kit heat sink: ≤9 min)		
Supply voltage/current:	+5 Vdc ±0.1 Vdc, Max. current <2.8 A		
Power consumption:	Warm-up: 14 W max (-10°C to +75°C); Operating: 8 W @ 10°C, 5 W @ 25°C, 5 W @ 75°C baseplate		
Voltage coefficient:	+5 Vdc ±0.1 Vdc: Magnitude (df/f) <2E-11 peak-to-peak		
Test/status:	Built-in self-test (BITE)		
ACMOS:	Service/fault-unlock		
Serial Port:	Microsemi specific serial port protocol for status and control		

Aging:	Type	SA.35m/SA.33m	SA.31m
Daily*		±2.5E-11	±4E-11
Monthly*		±1E-10	±3E-10
Yearly		±1E-9	±1.5E-9
(*After 1 day and 1 month of operation respectively)			
Short Term Stability (Allan deviation):			
Type	SA.35m / SA.33m	SA.31m	
t=1 s	≤3E-11	≤5E-11	
t=10 s	≤1.6E-11	≤2.5E-11	
t=100 s	≤8E-12	≤1E-11	
Time drift in a 24 hr period (SA.33m and SA.35m only): <7 μs over 0°C to +60°C			
MTBF:			
Per MIL-HDBK-217F:			
≥20 years @ 40°C (Ground, benign, GB)			
≥17 years @ 40°C (Ground, fixed, GF)			
Per Telcordia SR-332, Issue 1:			
≥20 years @ 40°C (Ground, fixed, uncontrolled)			
Connector: 5 Pins match standard OCXO configurations			
Pin 1: Input frequency control			
Pin 2*: Baseplate (connect to GND externally)			
Pin 3: Output signal			
Pin 4*: Ground (signal and supply)			
Pin 5: Input supply (+)			
*Pin 2 and Pin 4 are not connected together internally			
Three (3) additional pins for added functionality:			
Pin 6: BITE			
Pin 7: RS232 transmit (Tx)			
Pin 8: RS232 receive (Rx)			

### Environmental

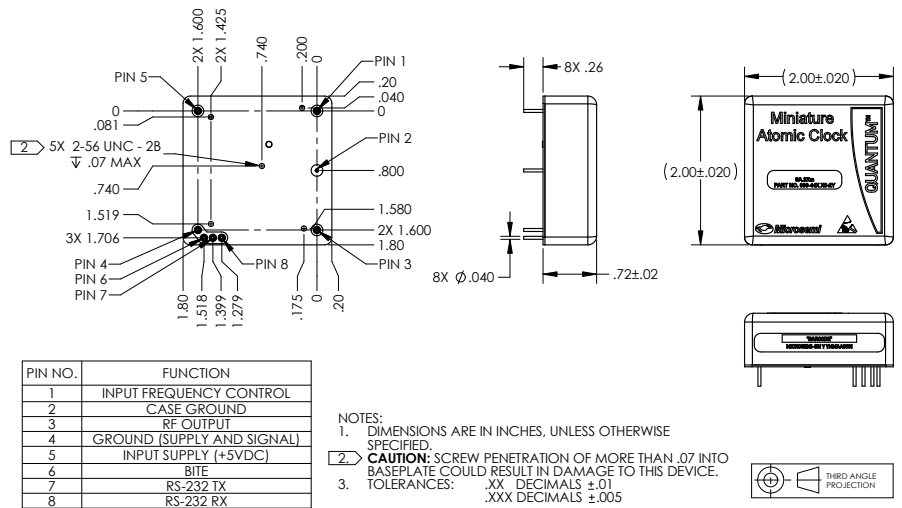
Operating temperature:	-10°C to +75°C base-plate
Magnetic field sensitivity:	<±7E-11/Gauss (up to ±2 Gauss)
Humidity:	GR-63-CORE, issue 4, April 2012, section 4.1.2
Vibration (operating):	7.7 grms, @ 1 hour/axis MIL-STD-810, figure 514.7E-1, category 24 (General Minimum Integrity Exposure) No loss of lock
Shock (operating):	30 g, 11 ms half-sine pulse per MIL-STD-202, Method 213, Test Condition J. Frequency perturbation ≤1e-9 momentary
Storage and transport (non operating):	
Temperature:	-55°C to +100°C
Vibration (non-operating unpackaged):	10.9 grms @ 1 hour/axis per MIL-STD-810, figure 514.7E-1, Cat 24
Shock (non-operating unpackaged):	50 g, 11 ms half-sine pulse per MIL-STD-202, Method 213, Test Condition A

### Physical

Weight:	<85 g (<3 oz)
Size:	18.3 mm x 50.8 mm x 50.8 mm (0.72" x 2" x 2")
Volume:	<49.5 cm <sup>3</sup> (< 3.0 in <sup>3</sup> )

### RoHS Compliance

- SA.31m, SA.33m, and SA.35m are 6/6 RoHS compliant



# SA.31m, SA.33m, and SA.35m

## Part Number Table

Part Number	Description
090-44310-21	SA.31m Rubidium Clock, AT Disabled
090-44310-22	SA.31m Rubidium Clock, AT Enabled
090-44330-21	SA.33m Rubidium Clock, AT Disabled
090-44330-22	SA.33m Rubidium Clock, AT Enabled
090-44330-23	SA.33m Rubidium Clock, AT Enabled ROHS 6/6 (Measured Time To Lock <7 min)
090-44330-24	SA.33m Rubidium Clock, AT Disabled ROHS 6/6 (Measured Time To Lock <7 min)
090-44350-21	SA.35m Rubidium Clock, AT Disabled
090-44350-22	SA.35m Rubidium Clock, AT Enabled
090-44300-00	SA.3Xm Developer's Kit
<b>Note:</b> AT= Analog Tuning	

Microsemi makes no warranty, representation, or guarantee regarding the information contained herein or the suitability of its products and services for any particular purpose, nor does Microsemi assume any liability whatsoever arising out of the application or use of any product or circuit. The products sold hereunder and any other products sold by Microsemi have been subject to limited testing and should not be used in conjunction with mission-critical equipment or applications. Any performance specifications are believed to be reliable but are not verified, and Buyer must conduct and complete all performance and other testing of the products, alone and together with, or installed in, any end-products. Buyer shall not rely on any data and performance specifications or parameters provided by Microsemi. It is the Buyer's responsibility to independently determine suitability of any products and to test and verify the same. The information provided by Microsemi hereunder is provided "as is, where is" and with all faults, and the entire risk associated with such information is entirely with the Buyer. Microsemi does not grant, explicitly or implicitly, to any party any patent rights, licenses, or any other IP rights, whether with regard to such information itself or anything described by such information. Information provided in this document is proprietary to Microsemi, and Microsemi reserves the right to make any changes to the information in this document or to any products and services at any time without notice.



**Microsemi Corporate Headquarters**  
 One Enterprise, Aliso Viejo, CA 92656 USA  
 Within the USA: +1 (800) 713-4113  
 Outside the USA: +1 (949) 380-6100  
 Sales: +1 (949) 380-6136  
 Fax: +1 (949) 215-4996  
 email: sales.support@microsemi.com  
 www.microsemi.com

Microsemi Corporation [Nasdaq: MSCC] offers a comprehensive portfolio of semiconductor and system solutions for communications, defense & security, aerospace and industrial markets. Products include high-performance and radiation-hardened analog mixed-signal integrated circuits, FPGAs, SoCs and ASICs; power management products; timing and synchronization devices and precise time solutions, setting the world's standard for time; voice processing devices; RF solutions; discrete components; Enterprise Storage and Communication solutions, security technologies and scalable anti-tamper products; Ethernet Solutions; Power-over-Ethernet ICs and midspans; as well as custom design capabilities and services. Microsemi is headquartered in Aliso Viejo, Calif., and has approximately 4,800 employees globally. Learn more at [www.microsemi.com](http://www.microsemi.com).

©2016 Microsemi Corporation. All rights reserved. Microsemi and the Microsemi logo are registered trademarks of Microsemi Corporation. All other trademarks and service marks are the property of their respective owners.