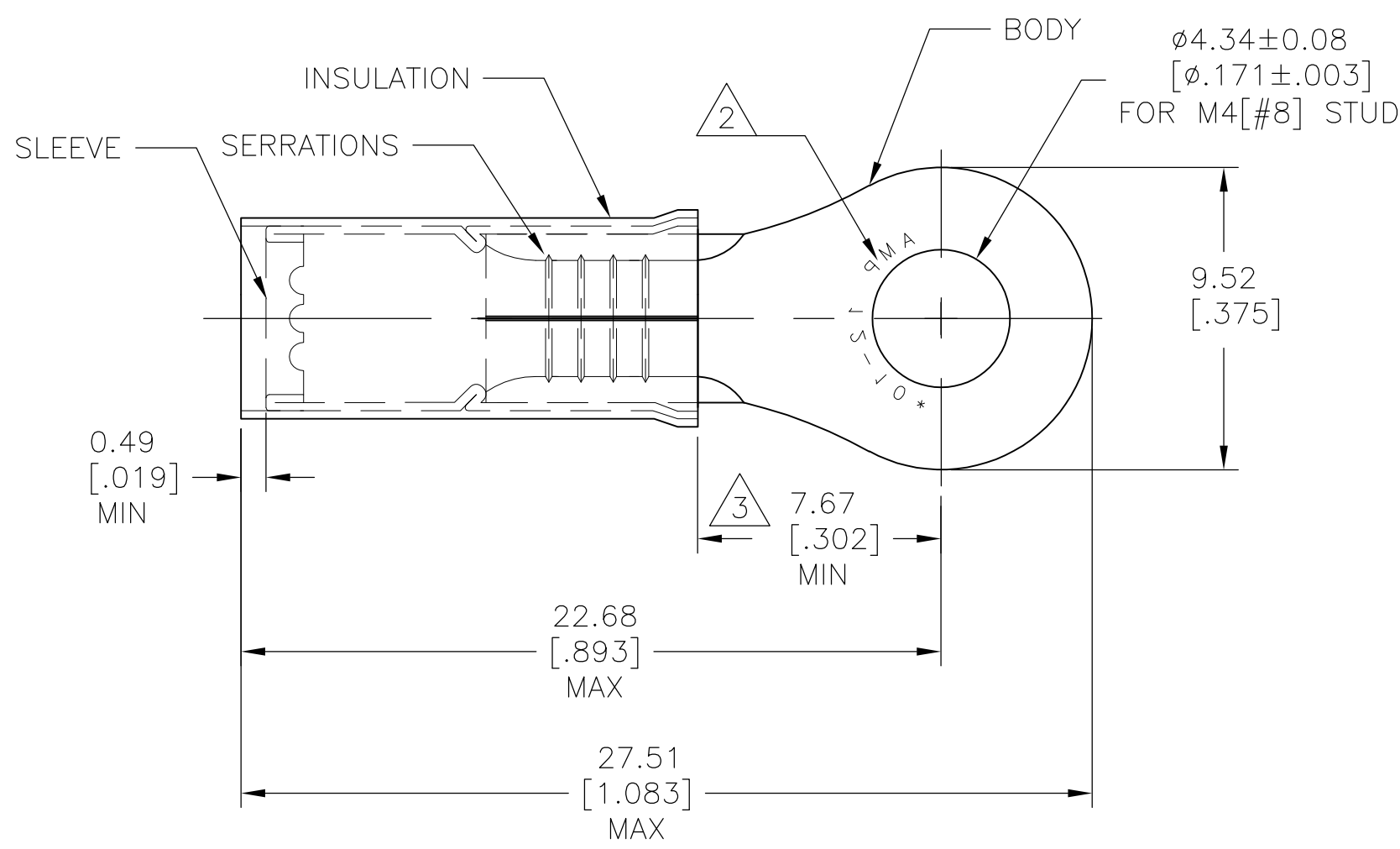


THIS DRAWING IS UNPUBLISHED. RELEASED FOR PUBLICATION  
 © COPYRIGHT - By - ALL RIGHTS RESERVED.

LOC	DIST	REVISIONS			
P	LTR	DESCRIPTION	DATE	DWN	APVD
-	-	J2	NEW DRAWING PER ECO-11-019045	02APR12	KH DR

<b>AMP</b> WIRE RANGE	Listed FILE E13288	LR7189 Certified
12-10 AWG SOLID OR STRANDED	12-10 AWG SOLID OR STRANDED	12-10 AWG SOLID OR STRANDED



- 1 ALTERNATE PVC INSULATION MATERIAL FOR FOREIGN SUBSIDIARIES ONLY.
- 2 STAMP AMP 12-10\* APPROX AS SHOWN
- 3 DIMENSION APPLIES FROM EDGE OF METAL WIRE BARREL TO CENTER OF STUD HOLE
- 4 FOR WIRE INSULATION DIA: 3.81[.150] TO 6.35[.250]
- 5 TONGUE MATERIAL THK: 1.02±0.05[.040±.002]
- 6 MATERIAL:  
BODY&SLEEVE: COPPER PER ASTM B152  
INSULATION: NYLON.1
- 7 FINISH:  
BODY&SLEEVE: TIN PLATE PER ASTM B545  
INSULATION: COLOR-YELLOW

MILITARY PART NO& CLASS	QTY	PACKAGE TYPE	PART NO
-	100	LOOSE PC, BOX	8-35108-1
-	500	LOOSE PIECE	3-35108-1
MS25036-156 CLASS 2	2500	ON TAPE, REEL	2-35108-1
MS25036-156 CLASS 1&2	500	LOOSE PIECE	35108

**AMP INCORPORATED**  
**CUSTOMER SERVICE SYSTEMS**

FOR ADDITIONAL PRODUCT INFORMATION OR COPIES OF DRAWINGS AND TECHNICAL DOCUMENTS: PRODUCT INFORMATION CENTER 1-800-522-6752

FOR APPLICATION TOOLING INFORMATION: TOOLING ASSISTANCE CENTER 1-800-722-1111

FOR ORDER ENTRY: 1-800-526-5142

RECOMMENDED OPERATING TEMPERATURE: 105°C [221°F]

VOLTAGE RATING: 300V MAX

WIRE CROSS SECTIONAL AREA RANGE: 2.62-6.64mm<sup>2</sup> [5,180-13,100] SOLID OR STRANDED

THIS DRAWING IS A CONTROLLED DOCUMENT.

DIMENSIONS: mm [INCHES]

TOLERANCES UNLESS OTHERWISE SPECIFIED:

0 PLC	± -
1 PLC	± -
2 PLC	± 0.20[.008]
3 PLC	± -
4 PLC	± -
ANGLES	± 5°

MATERIAL:

FINISH:

DWN: KIRAN HOLAL 02APR12  
 CHK: ROHDE DANIEL 02APR12  
 APVD: ROHDE DANIEL 02APR12

**STE** TE Connectivity

NAME: WIRE TERMINAL P.I.D.G RING TONGUE WIRE SIZE: 12-10

SIZE: A3 CAGE CODE: 00779 DRAWING NO: C-35108 RESTRICTED TO: -

CUSTOMER DRAWING SCALE: 5:1 SHEET: 1 OF 1 REV: J2