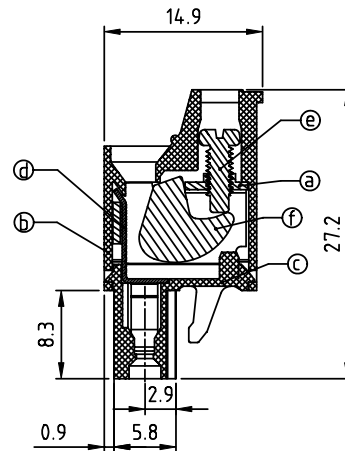
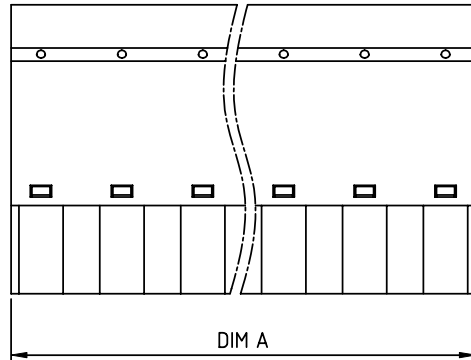
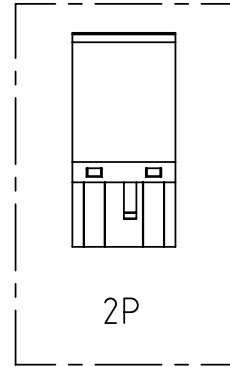
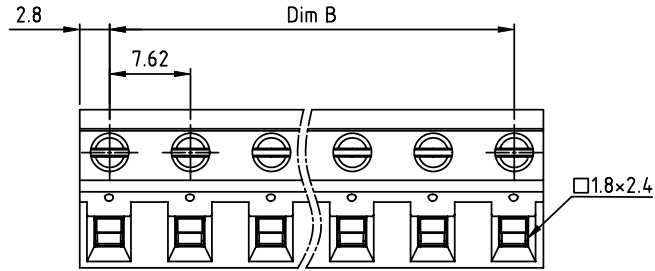


PRODUCT NUMBER	PITCH
VMxx05x100J0G	7.62 mm



Material:

- Item ① Clamp: Steel Zinc plated
- Item ② Terminal(top body): Thermoplastic (UL94V-0)
- Item ③ Terminal(bottom body): Thermoplastic (UL94V-0)
- Item ④ Female contact: High conductivity copper, Tin plated.
- Item ⑤ Terminal screw: Steel Zinc plating "-" slot type
- Item ⑥ Clampage: Steel/steel Zinc plated

Electrical:

- Voltage rating: 300V
- Current rating: 20A
- Wire range:
- Solid wire(AWG): 12-22
- Stranded wire(AWG): 12-22
- Torque: 3.5 Lb-In
- Screw: M2.5
- Wire strip length: 8-9mm
- Withstanding Voltage: 1.6KV
- Operating temperature: -40°C to +115°C
- Safety Approval: cULus

DIMENSION

Dim A	N×7.62-2
Dim B	(N-1)×7.62

N=Number of poles

Poles	Tolerance
2p-4p	±0.15
5p-8p	±0.20
9p-12p	±0.30
13p-16p	±0.40

PART NO.: VM xx 05 x 1 00J0 G

	Color	RoHS compliant
Solid block	0 Black (RAL9005)	(lead<4%) In copper Alloy
No. of poles	2 Red (RAL3001/D)	
02 2 poles	3 Orange(RAL2011/P)	
03 3 poles	4 Yellow(RAL1018/A)	
...	5 Green(RAL6018/T)	
16 16 poles	6 Blue (RAL5015/A)	
	8 Grey(RAL7035/D)	
	9 White(RAL1102)	
	C Green(RAL6018/U)	

mat'l. code		surface ASME Y14.5	tolerance ASME Y14.5	projection	product family
ltr	ecn no	dr	date	tolerances unless otherwise specified	TERMINAL BLOCK
				angles	title
				X±0.5	TERMINAL BLOCK
				X.X±0.3	PLUGGABLE PLUG, WITHOUT FLANGE, LOW PROFILE
				X*±1"	scale
				dr	MM
				ENGR	EVIN ZHONG
				chr	HANKE FENG
				appd	SHI JUN
					042114
					042114
					042114
					042114
sheet index	revision	A		FCI	dwg no
	sheet	1			sheet 1 of 1
					size
					VMxx05x100J0G
					A4
					type
					CUSTOMER Drawing