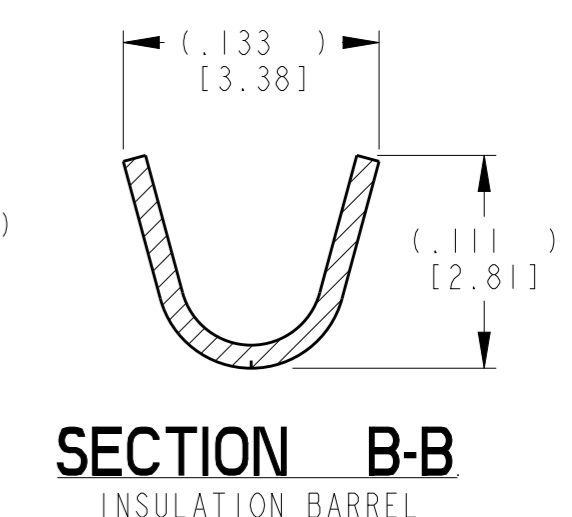
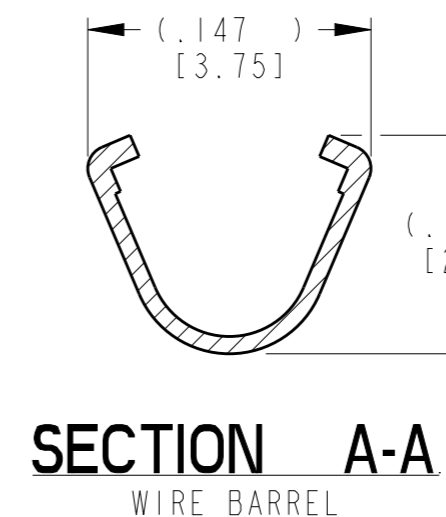
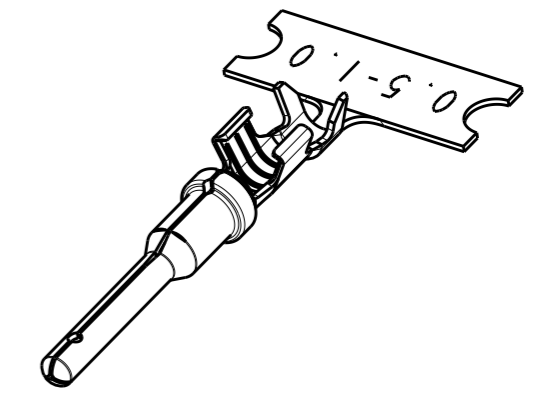
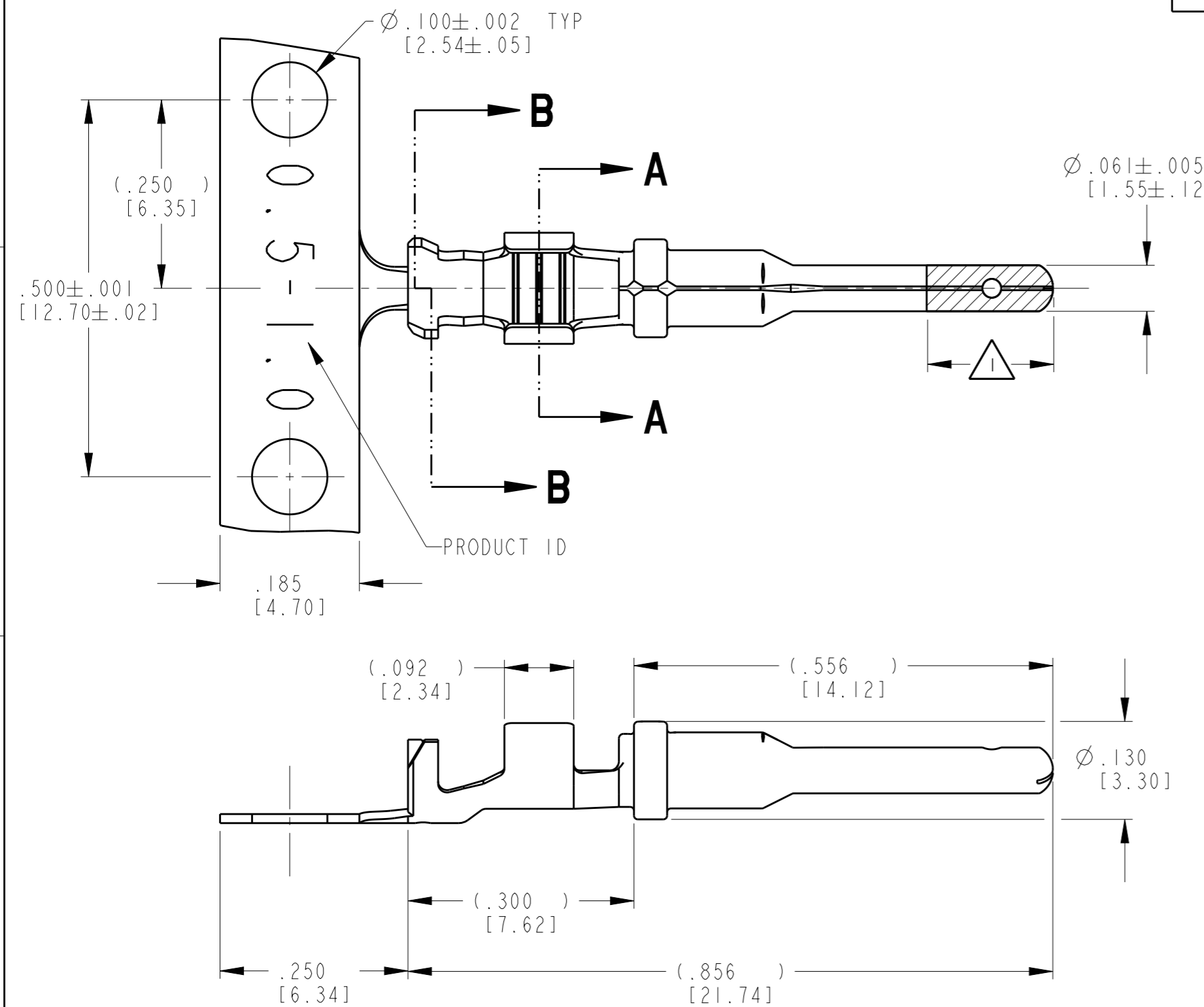


THIS DRAWING IS UNPUBLISHED
 RELEASED FOR PUBLICATION 2015
 © COPYRIGHT 2000 BY TE CONNECTIVITY ALL RIGHTS RESERVED.

LOC	DIST	REVISIONS			
P	LTR	DESCRIPTION	DATE	DWN	APVD
	C	REVISED/REDRAWN PER E.O. P16999	08DEC2000	SP	RDR
	D	REVISED PER E.O. P19510	18MAY2007	JA	RDR
	E	REVISED PER E.O. P20396	25JUN2010	JA	RDR
	F	REVISED PER ECO-15-007761	28MAY2015	RL	DM



TE INTERNAL PN	DEUTSCH PN	PLATING
1060-16-0622	1060-16-0622	NICKEL
1060-16-0644	1060-16-0644	SELECTIVE GOLD
1060-16-0677	1060-16-0677	TIN
1060-16-0688	1060-16-0688	PALLADIUM NICKEL

- 3 MATERIAL: .012 [0.30] THICK COPPER ALLOY
- 2. WIRE RANGE: 20 AWG TO 16 AWG [0.5-1.0 mm²]
INSULATION RANGE: Ø .055-.100 [Ø1.40-2.54]
- 1 APPLIED ONLY TO SELECTIVE GOLD 1060-16-0644.
INDICATED DIMENSION SHOWS GOLD PLATED AREA.

NOTES: UNLESS OTHERWISE SPECIFIED

THIS DRAWING IS A CONTROLLED DOCUMENT.		DWN 28NOV2000 STEVE PALLUTH	TE TE Connectivity	
DIMENSIONS: INCHES[mm]		CHK 06DEC2000 VLADIMIR TOMSA		
TOLERANCES UNLESS OTHERWISE SPECIFIED:		APVD 08DEC2000 R. REED	NAME STAMPED CONTACT PIN SIZE 16	
0 PLC ± 1 PLC ± 2 PLC ± 3 PLC ±.025 [0.64] 4 PLC ± ANGLES ±		PRODUCT SPEC 0425-015-0000	SIZE A3	
MATERIAL 3		APPLICATION SPEC 114-151000	CAGE CODE 4AFU8	DRAWING NO 1060-16-06XX
FINISH SEE TABLE		WEIGHT 0.32 g	RESTRICTED TO -	SCALE 6:1
		Customer Drawing	SHEET 1 OF 1	REV F