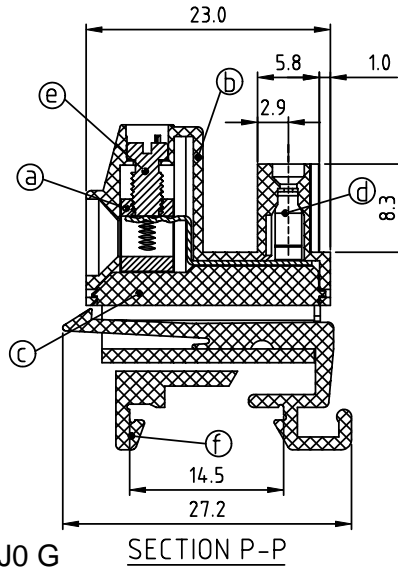
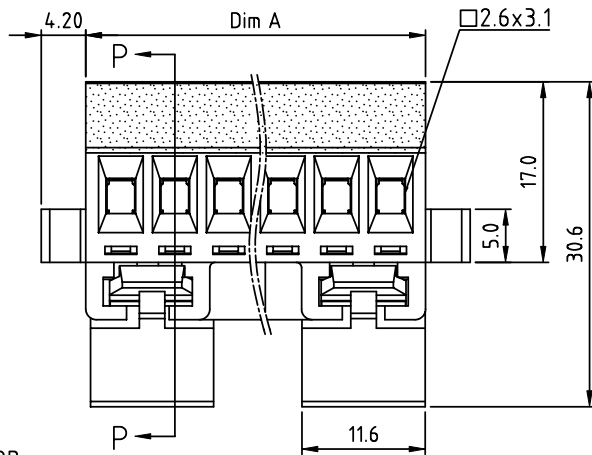
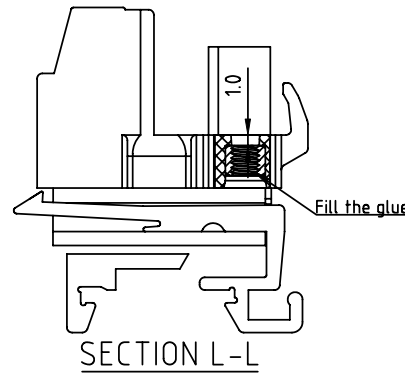
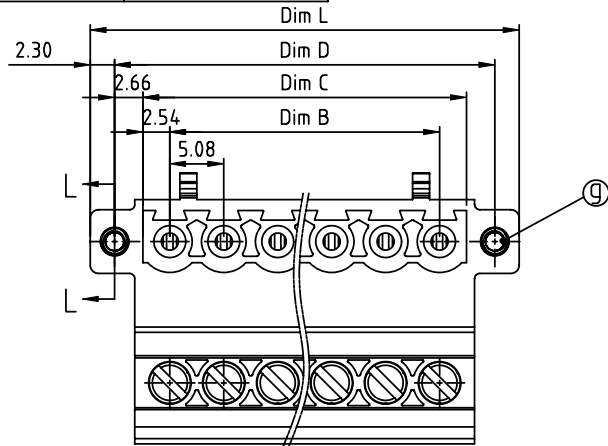


PRODUCT NUMBER	PITCH
V9xx51x300J0G	5.08 mm



- Material:
- Item ① Clamp: Brass Ni plated
  - Item ② Terminal (housing): Thermoplastic (UL94V-0)
  - Item ③ Terminal (Cover): Thermoplastic (UL94V-0)
  - Item ④ Male contact: PhBz, Tin plated.
  - Item ⑤ Terminal screw: Steel Zinc plating " - " slot type
  - Item ⑥ Terminal(track): Thermoplastic (UL94V-0)
  - Item ⑦ With flange nut: Brass M2.5

- Electrical: cULus
- Voltage rating: 300V
  - Current rating: 12A
  - Wire range:
  - Solid wire(AWG):12-30
  - Stranded wire(AWG):12-30
  - Torque:5.2Lb-In.
  - Screw:M3
  - Wire strip length: 6-7 mm
  - Withstanding Voltage: 1.6KV
  - Operating temperature:-40°C to +115°C
  - Safety Approval:

Dimension

Dim L	(N-1) × 5.08+15.0
Dim A	(N-1) × 5.08+6.6
Dim B	(N-1) × 5.08
Dim C	N × 5.08
Dim D	(N-1) × 5.08+10.4

N=Number of poles

Poles	Tolerance
2P - 6P	±0.15
7P - 12P	±0.20
13P - 18P	±0.30
19P - 24P	±0.40

PART NO.: V9 xx 51 x 3 00J0 G

- |              |   |                   |  |
|--------------|---|-------------------|--|
| Solid block  | 0 | Black (RAL9005)   | RoHS compliant<br>(lead<4%)<br>In copper Alloy |
| No. of poles | 2 | Red (RAL3001/D)   |  |
| 02 2 poles   | 3 | Orange(RAL2011/P) |  |
| 03 3 poles   | 4 | Yellow(RAL1018/A) |  |
| ...          | 5 | Green(RAL6018/T)  |  |
| 24 24 poles  | 6 | Blue (RAL5015/A)  |  |
|              | 8 | Grey(RAL7035/D)   |  |
|              | 9 | White(RAL1102)    |  |
|              | C | Green(RAL6018/U)  |  |

mat'l. code		surface ASME Y14.5	tolerance ASME Y14.5	projection 	product family TERMINAL BLOCK
ltr	ecn no	dr	date	tolerances unless otherwise specified	title TERMINAL BLOCK PLUGGABLE PLUG, WITH FLANGE DINRAIL MOUNTING, A TYPE
				angles 	
				X±0.5	MM
				X.X±0.3	scale
				X*±1*	X.XX±0.1
dr	EVIN ZHONG	050414			FCI dwg no V9xx51x300J0G sheet 1 of 1 size A4
enr	EVIN ZHONG	050414			
chr	HANKE FENG	050414			
appd	SHI JUN	050414			
sheet index	revision sheet	A	1		type CUSTOMER Drawing