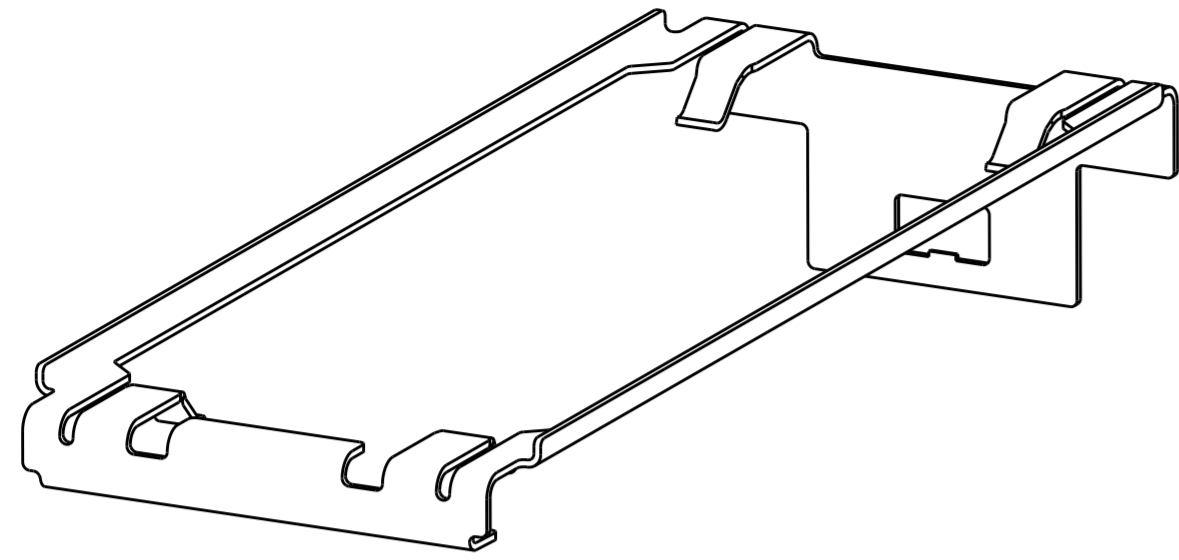
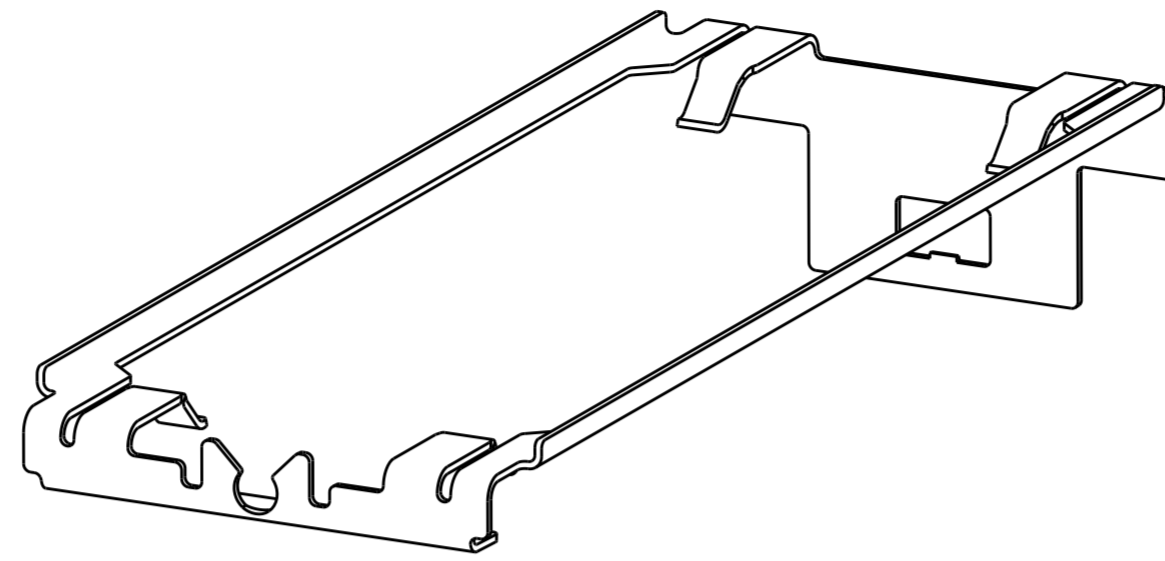


THIS DRAWING IS UNPUBLISHED. RELEASED FOR PUBLICATION  
 © COPYRIGHT copyright.d8te- ALL RIGHTS RESERVED.

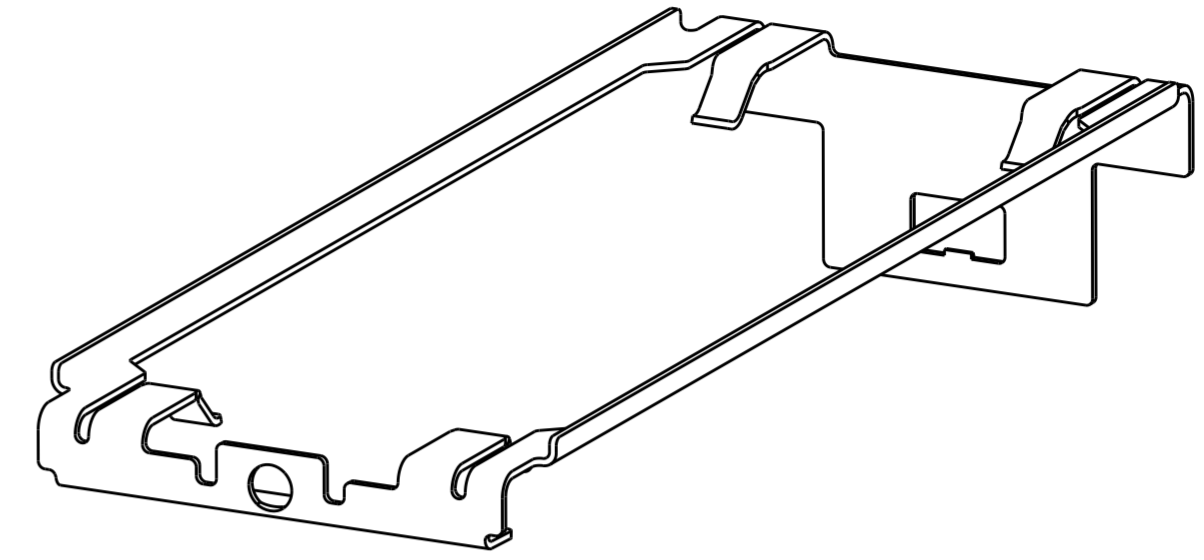
REVISIONS					
P	LTR	DESCRIPTION	DATE	DWN	APVD
A		INITIAL RELEASE	16DEC2014	JY	MC
B		REVISED PER ECO-15-003702	10MAR2015	JY	MC



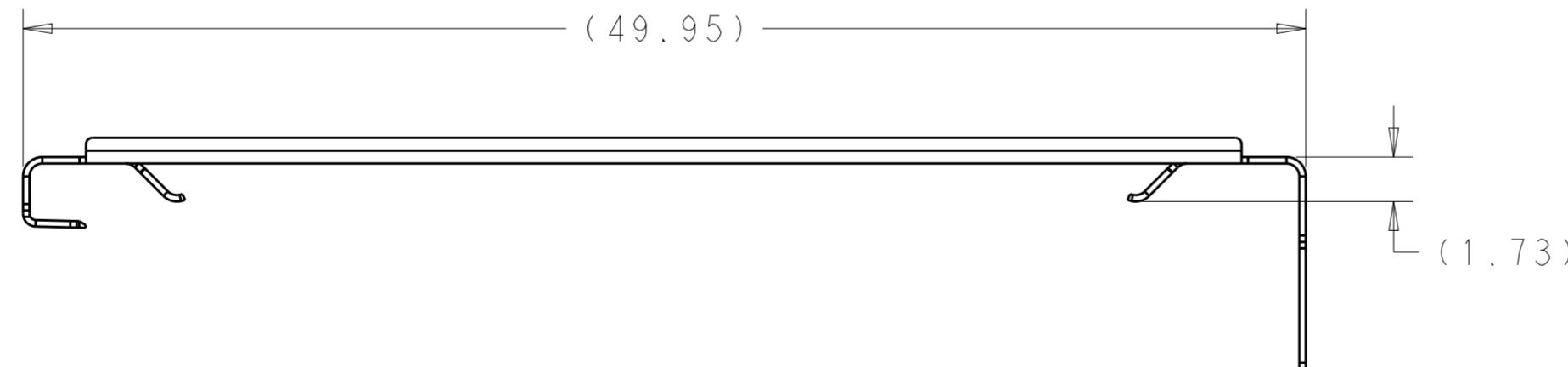
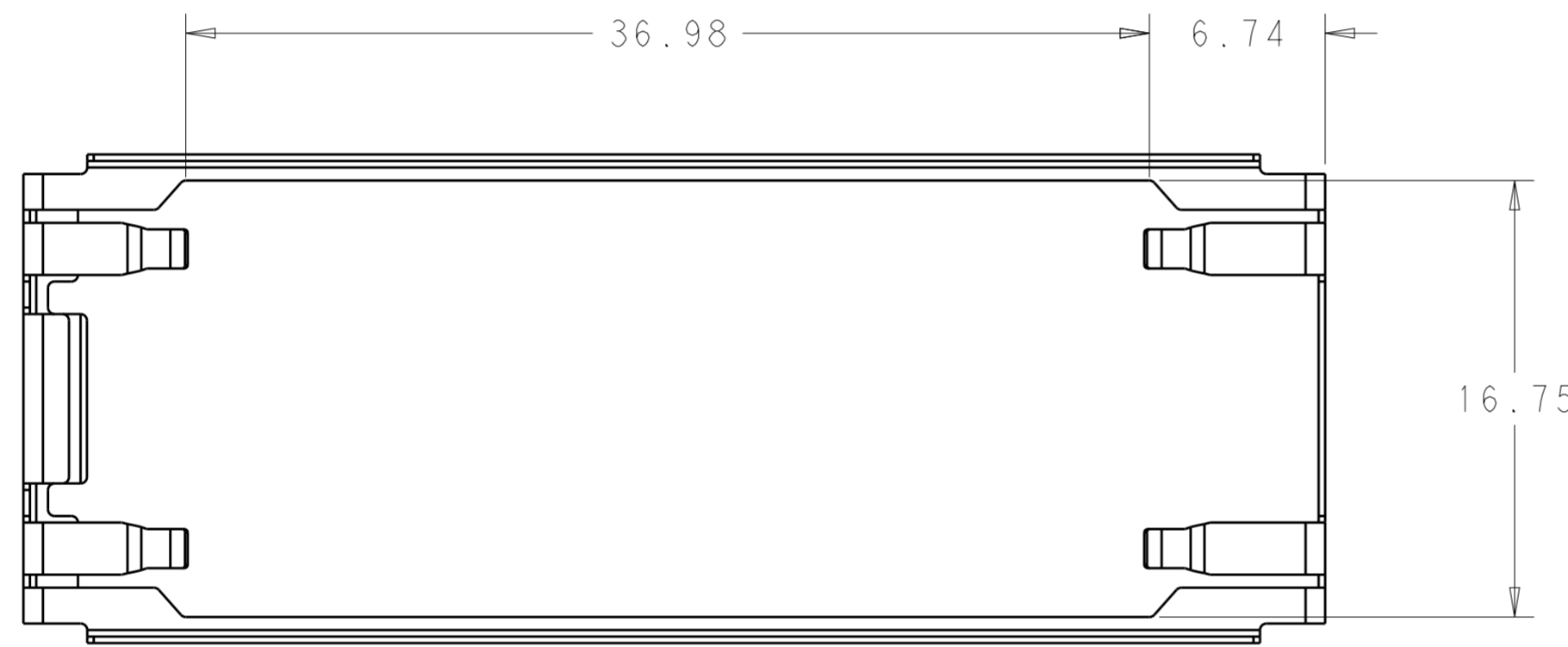
2227644-3  
SCALE 4:1



2227644-4  
SCALE 4:1

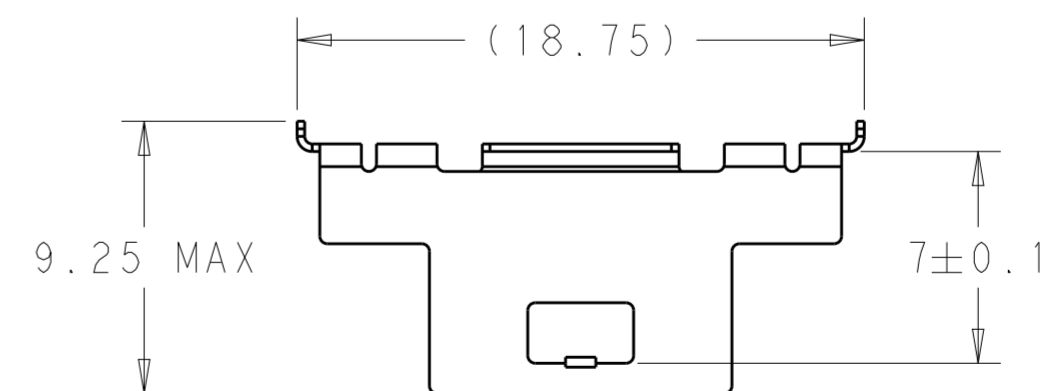


2227644-6  
SCALE 4:1



SCALE 4:1

1. MATERIAL: 0.25mm THICKNESS PASSIVATED STAINLESS STEEL.



2227644-6
2227644-4
2227644-3
PART NUMBER

THIS DRAWING IS A CONTROLLED DOCUMENT.		DWN 10-Mar-15 Jason Yang	<b>STE</b> TE Connectivity	
		CHK 12AUG2014 Jason Yang		
DIMENSIONS:		TOLERANCES UNLESS OTHERWISE SPECIFIED:		NAME
mm	0 PLC ±	1 PLC ±0.3	2 PLC ±0.25	CLIP, HEAT SINK, THRU BEZEL, 1X4, zQSFP+
	3 PLC ±	4 PLC ±	ANGLES ±	
MATERIAL	FINISH	APVD	PRODUCT SPEC	SIZE CAGE CODE DRAWING NO RESTRICTED TO
			APPLICATION SPEC	A200779 C-2227644
		WEIGHT	Customer Drawing	SCALE 2:1 SHEET 1 OF 1 REV B