

PRODUCT NUMBER	PITCH
H5xx50x000J0G	5.08 mm

Dimension

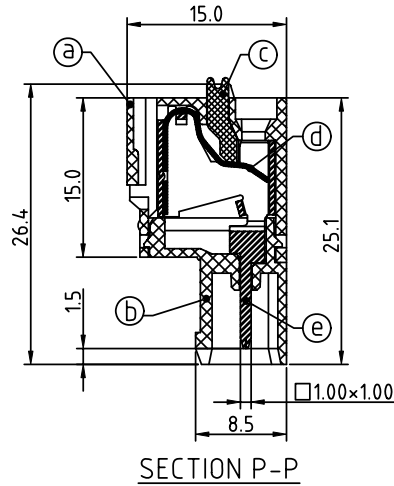
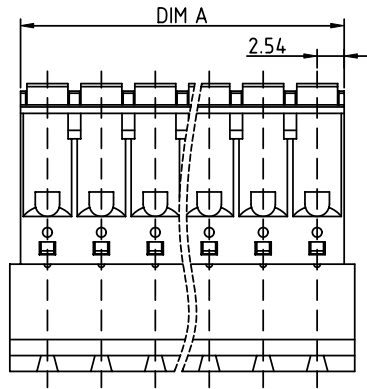
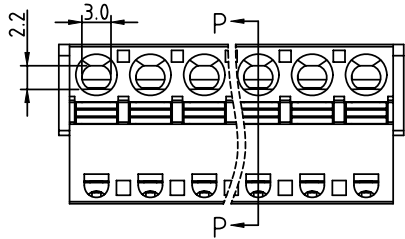
DIM A	N×5.08
DIM B	(N-1)×5.08
DIM C	N×5.08+0.4
DIM D	N×5.08+2.0

N=Number of poles

POLES	Tolerance
2p-6p	±0.15
7p-12p	±0.20
13p-16p	±0.30
17p-24p	±0.40

PART NO.: H5 xx 5 0 x 0 00J0 G

Solid block	0	Color	Black (RAL9005)	RoHS compliant	(lead<4%)
No. of poles	2		Red (RAL3001/D)	In copper Alloy	
02 2 poles	3		Orange(RAL2011/P)		
03 3 poles	4		Yellow(RAL1018/A)		
...	5		Green(RAL6018/T)		
24 24 poles	6		Blue (RAL5015/A)		
	8		Grey(RAL7035/D)		
	9		White(RAL1102)		
	C		Green(RAL6018/U)		



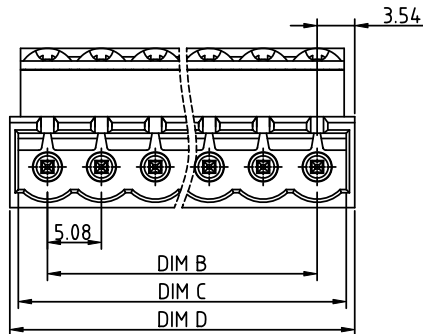
Material:

- Item@a)Top body:Thermoplastic (UL94V-0)
- Item@b)Bottom body:Thermoplastic (UL94V-0)
- Item@c)Terminal lever:Thermoplastic (UL94V-0) Orange (RAL2001/P)
- Item@d)Spring clamp:Stainless Steel
- Item@e)Male contact pin:PhBz (CuSn)Tin plated

Electrical

- Voltage rating: 300V
- Current rating: 10A
- Solid wire(AWG): 12-26
- Stranded wire(AWG): 12-26
- Wire strip length: 9-10mm
- Withstanding Voltage: 1.6KV
- Operating temperature: -40°C to +115°C
- Safety Approval:

cULus



mat'l. code		surface ASME Y14.5	tolerance ASME Y14.5	projection 	product family TERMINAL BLOCK	
ltr	ecn no	dr	date	tolerances unless otherwise specified		title
				angles 	X.±0.5	TERMINAL BLOCK SPRING CLAMP, PLUGGABLE PLUG MALE CONNECTOR
				X.X±0.3	MM	
				X°±1°	X.XX±0.1	
		dr	EVIN ZHONG	051714	scale	sheet 1 of 1
		enr	EVIN ZHONG	051714		size A4
		chr	HANKE FENG	051714		dwg no H5xx50x000J0G
		appd	SHI JUN	051714		type CUSTOMER Drawing
sheet index	revision sheet	A	1			