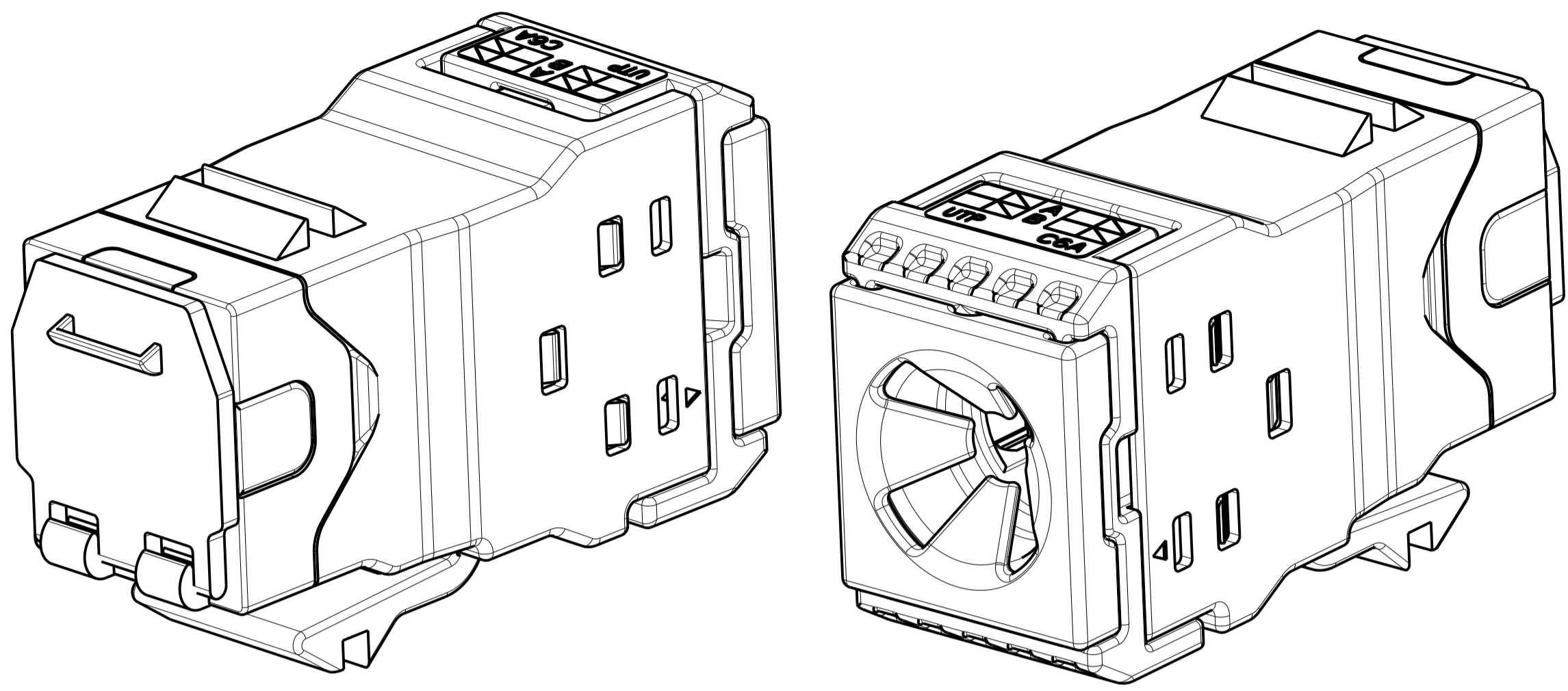
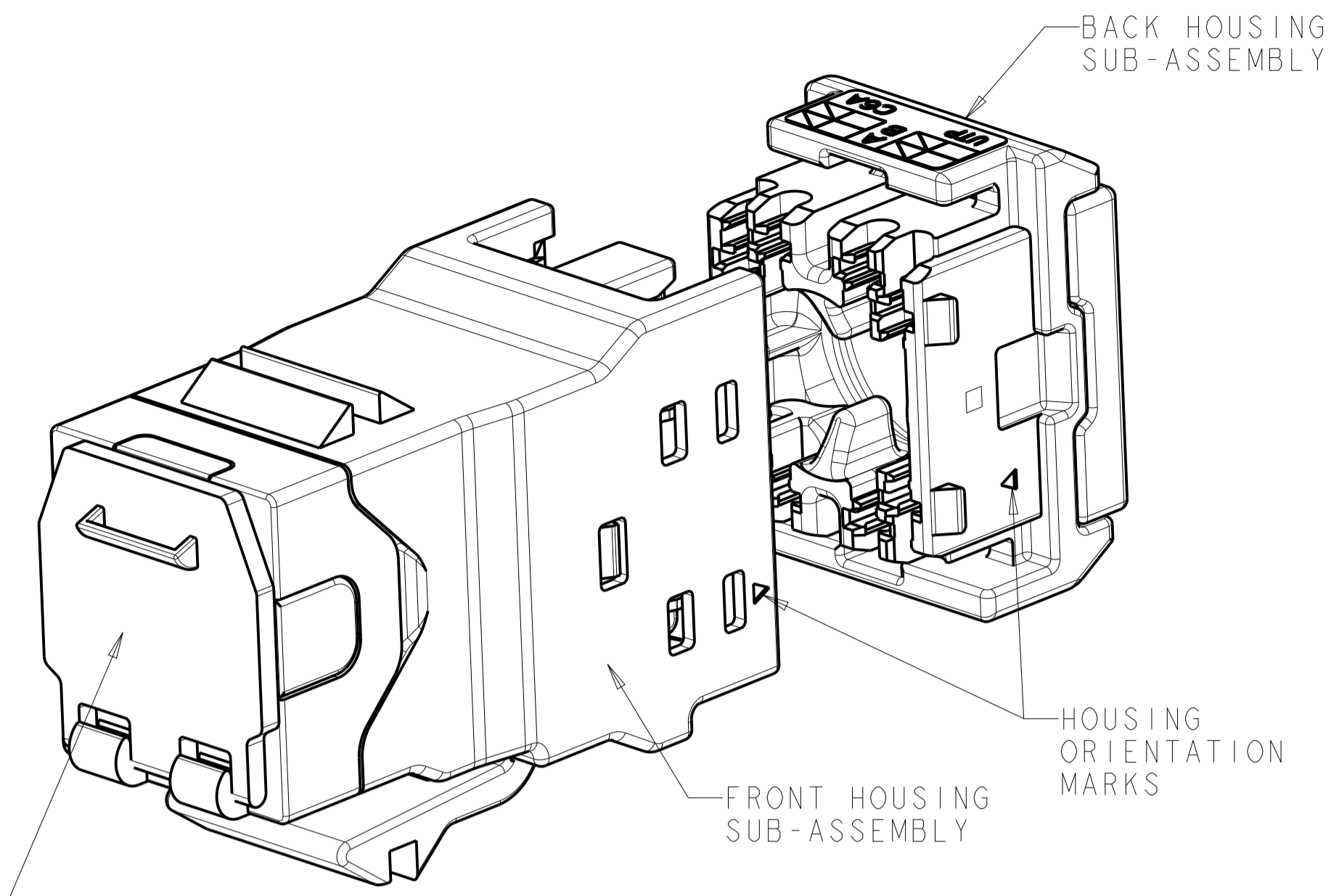


REVISIONS				
P.	LTN.	DESCRIPTION	DATE	OWN APVD
A	ECO-13-008665		04JUN2013	JM S.J
B	REV PER BNS_CD_BRAND		01FEB2017	GG DC

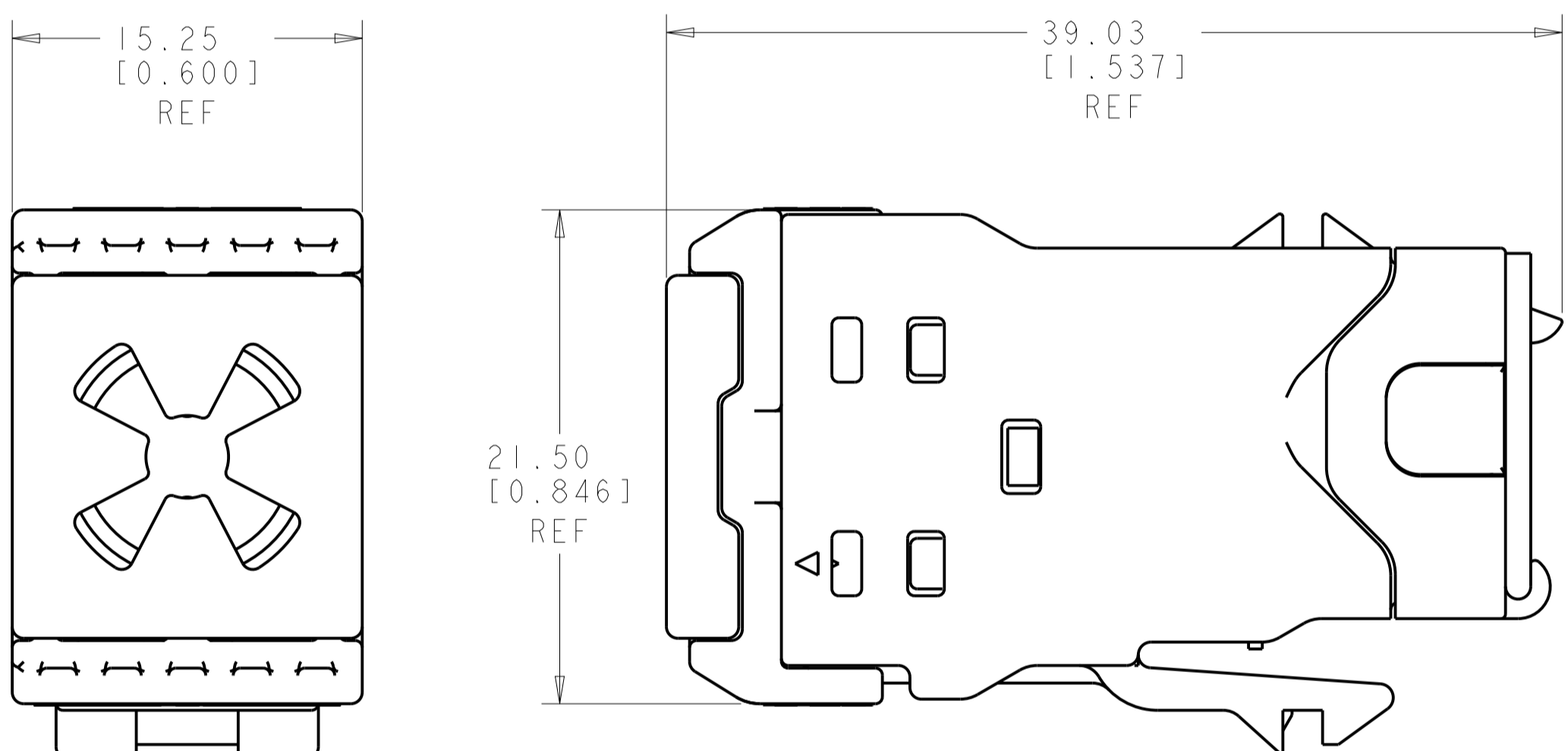


ASSEMBLED VIEW SHOWN

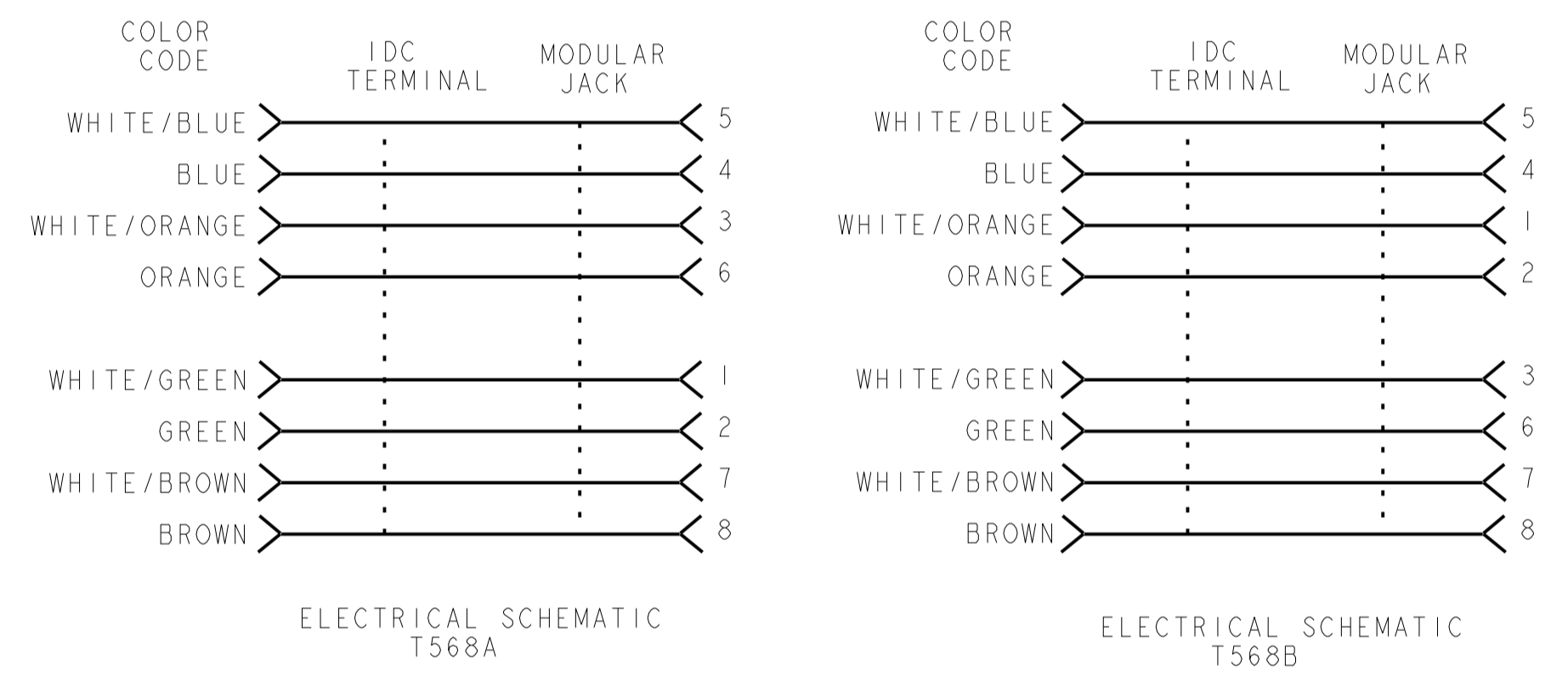


EXPLODED VIEW AS SHIPPED

- MATERIAL:**
- FRONT HOUSING - POLYCARBONATE, 94V-0 RATED.
 - COLOR CAP AND DUST COVER- POLYCARBONATE, 94V-0 RATED.
 - TERMINAL HOUSING - POLYCARBONATE, 94V-0 RATED.
 - BACK HOUSING - POLYCARBONATE, 94V-0 RATED.
 - CABLE STRAIN RELIEF - POLYCARBONATE, 94V-0 RATED.
 - ARRAY TRAY - PBT POLYESTER.
 - CONTACT ARRAY - BERYLLIUM COPPER, PLATED WITH 1.27µm [0.00050] MINIMUM THICK GOLD IN LOCALIZED AREA AND 3.81µm [0.00150] MINIMUM THICK MATTE TIN SOLDER AREA OVER 1.27µm [0.00050] MINIMUM THICK NICKEL UNDERPLATE.
 - IDC TERMINALS - PHOSPHOROUS BRONZE, PLATED WITH 3.81µm [0.0015] MINIMUM THICK MATTE TIN OVER 1.27µm [0.0005] MINIMUM THICK NICKEL UNDERPLATE.
- JACK WILL TERMINATE 22-24 AWG SOLID OR 24 AWG STRANDED CONDUCTORS UP TO 0.65 [0.025] DIAMETER, OR 1.60 [0.063] MAXIMUM INSULATION DIAMETER. MAXIMUM OVERALL CABLE DIAMETER 9.0 [0.354].
 - CAVITY CONFORMS TO FCC RULES AND REGULATIONS PART 68 SUBPART F REQUIREMENTS.
 - MOUNTING PANEL THICKNESS 1.47 - 1.60 [0.058 - .063].
 - REFER TO 408-10470 FOR TERMINATION INSTRUCTIONS USING SL SERIES TOOL TERMINATION.
 - FRONT AND BACK HOUSING SUB-ASSEMBLY SHIPPED TOGETHER AS A SET BUT NOT ASSEMBLED. SEE EXPLODED VIEW AS SHIPPED.
 - BASE PART NUMBER AND DATE CODE LOCATED APPROXIMATELY AS SHOWN.

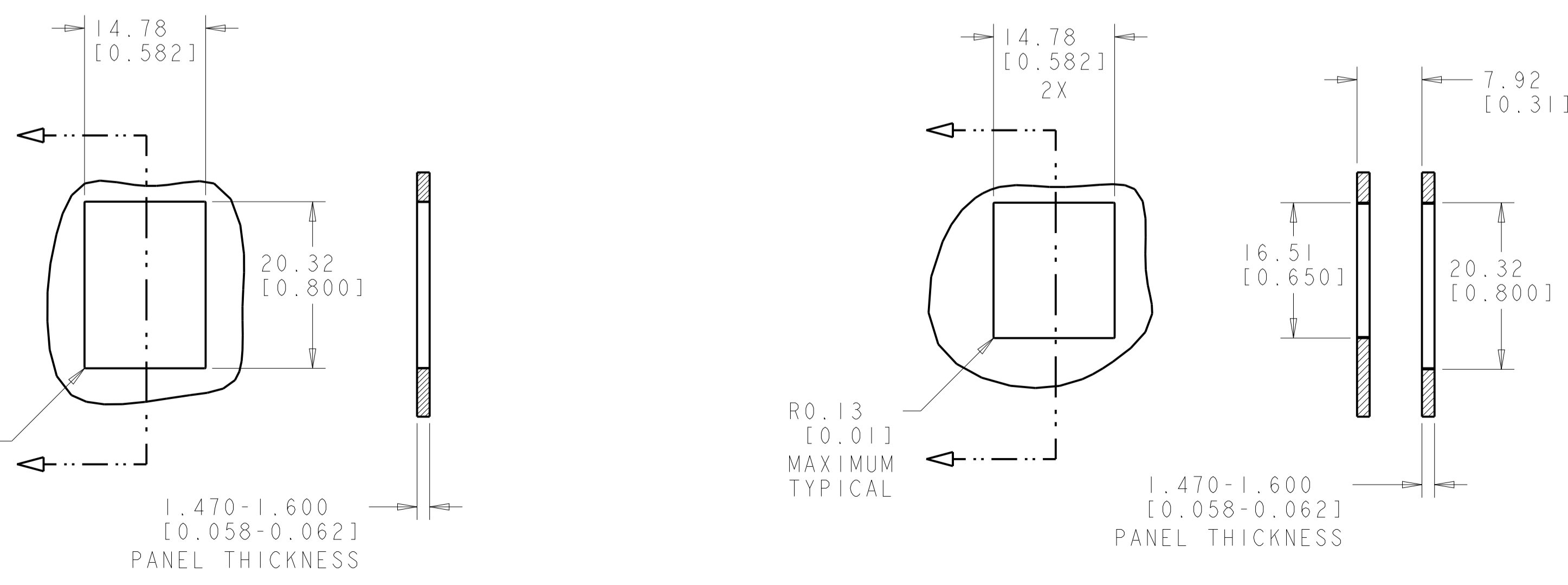


ASSEMBLED VIEW SHOWN



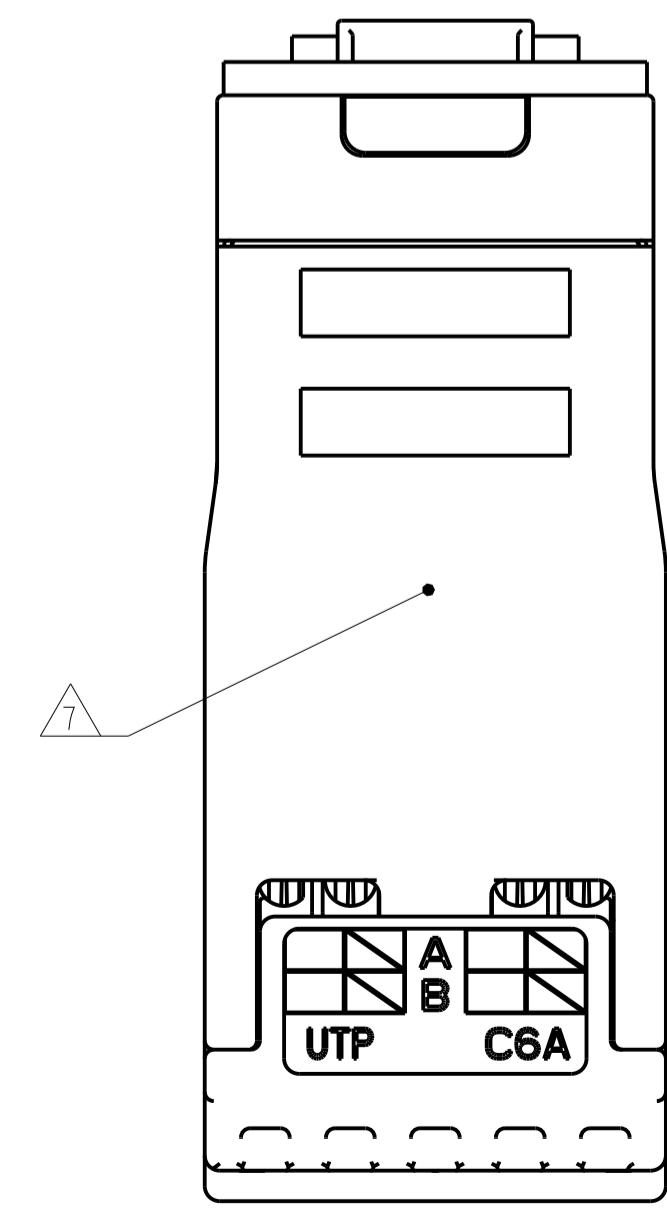
ELECTRICAL SCHEMATIC T568A

ELECTRICAL SCHEMATIC T568B



RECOMMENDED SINGLE PANEL APPLICATION CUTOUT

RECOMMENDED FLUSH MOUNT PANEL APPLICATION CUTOUT



DESCRIPTION	COLOR CAP	PART NUMBER
ALPINE WHITE		1-2111676-3
ELECTRIC IVORY		1-2111676-1
VIOLET		1-2111676-0
GREEN		2111676-9
YELLOW		2111676-8
RED		2111676-7
BLUE		2111676-6
ORANGE		2111676-5
GRAY		2111676-4
BLACK		2111676-2
LIGHT ALMOND		2111676-1

THIS DRAWING IS A CONTROLLED DOCUMENT. DWN: J. MCNEAL 12JUN2012
 CHK: S. JONES 12JUN2012
 APVD: S. JONES 12JUN2012

COMMSCOPE, INC.
 ASSY, UTP AMP-TWIST JACK, W/DUST COVER, CAT 6A, 180 DEGREE ENTRY

DESCRIPTION: COLOR CAP PART NUMBER

SIZE: A1 SCALE: 4:1 SHEET: 1 OF 1 REV: B