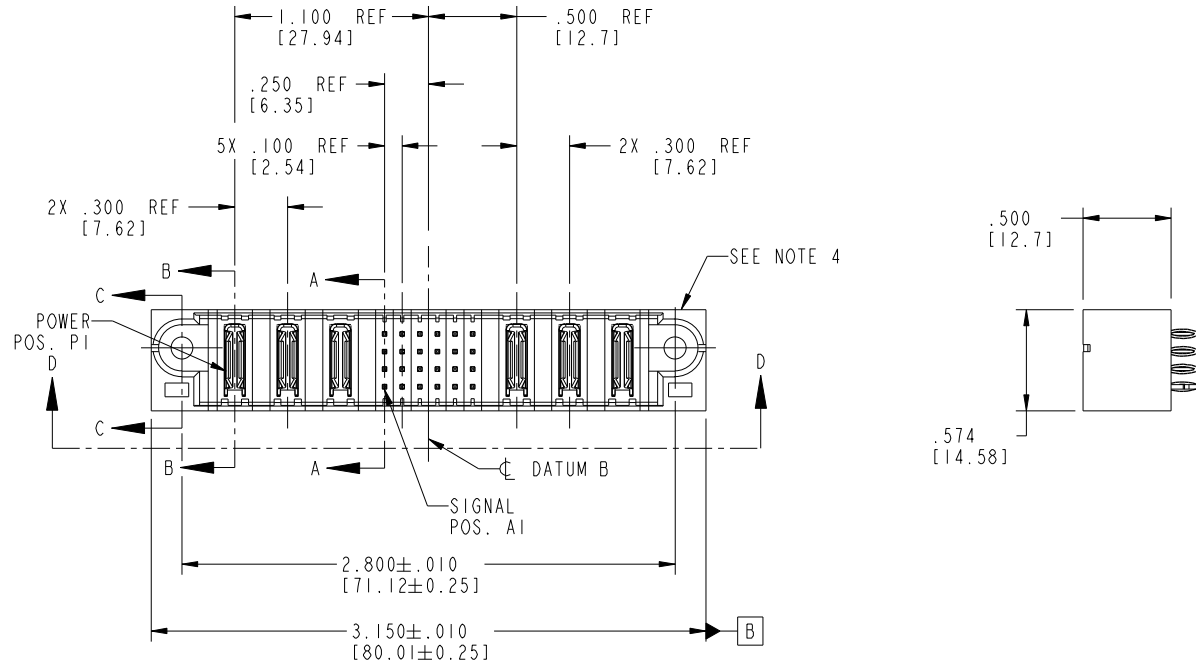


Tous droits strictement réservés. Reproduction ou communication a des tiers interdite sous quelque forme que ce soit sans autorisation écrite du propriétaire. Propriété de c FCI. Droits de reproduction FCI.



All rights strictly reserved. Reproduction or issue to third parties in any form whatever is not permitted without written authority from the proprietor. Property of FCI. Copyright FCI.

PRODUCT NO.	ROWS	POWER			SIGNAL				POWER			E2			
		E1	P1	P2	P3	1	2	3	4	5	6		P4	P5	P6
51952-095 NOTE ③	D C B A		PC	PC	PC	G	G	G	G	G	G	PC	PC	PC	



CODE	DIM "M" MATING LENGTH		CONTACT TYPE
PC	[N/A]	[N/A]	POWER
HA	N/A	[N/A]	HOLD-DOWN
G	.270	[6.86]	SIGNAL

mat'l code				SEE NOTE 2		tolerances unless otherwise specified		CUSTOMER		 www.fciconnect.com	
ltr	ecn no.	dr	date	linear	.XX±.01/0.X±0.3		COPY		 title 3ACP + 24S + 3ACP VERTICAL PF HEADER		
A	DG06-0232	RYAN	06/14/06		.XXX±.005/0.XX±0.13		projection				
B	DG07-0357	SH	01/16/08		.XXX±.0020/0.XXX±0.051		 INCH/MM				
				angles	0°±2°		scale		product family PwrBlade code 213		
				dr	RYAN YUAN 06/14/06		1:1		size dwg no 51952-095 sheet 1 of 4		
				enr	SALLY LUO 06/14/06						
				chr	BEER FU 06/14/06						
				appd	JOSEPH HSIA 06/14/06						
sheet index	revision sheet	B	B	B	B					cage code 22526	

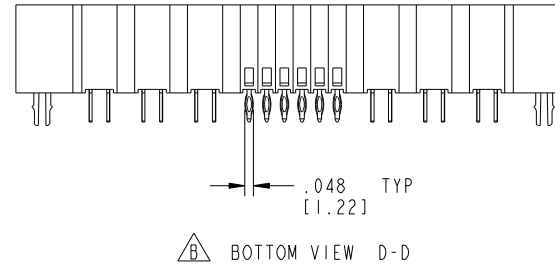
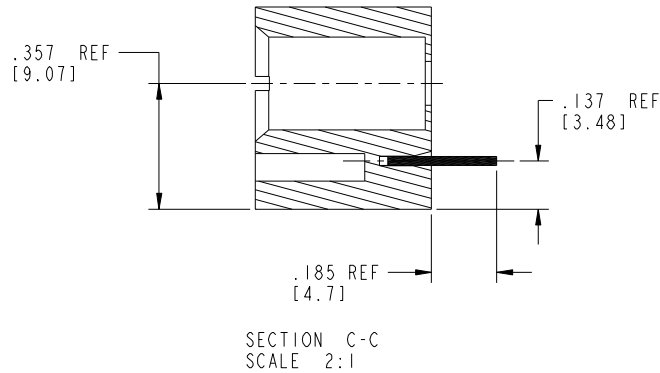
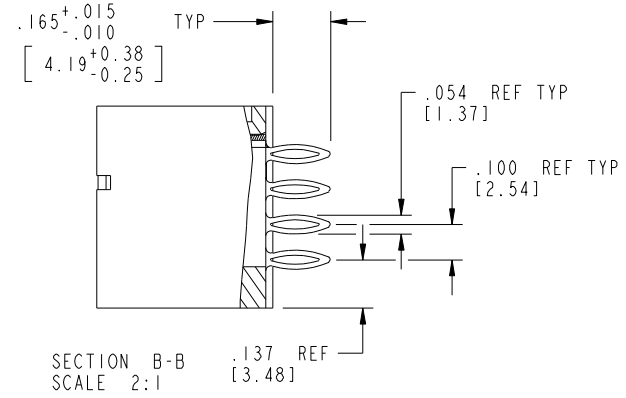
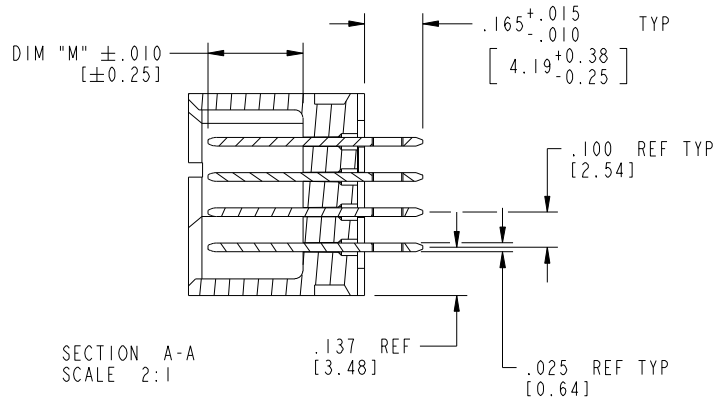
Pro/E

cage code 22526

Tous droits strictement reserves. Reproduction ou communication a des tiers interdite sous quelque forme que ce soit sans autorisation écrite du propriétaire. Propriete de c FCI. Droits de reproduction FCI.

All rights strictly reserved. Reproduction or issue to third parties in any form whatever is not permitted without written authority from the proprietor. Property of FCI. Copyright FCI.

PRODUCT NUMBER  
51952-095--  
NOTE ③



mat'l code		SEE NOTE 2		tolerances unless otherwise specified		CUSTOMER		FCI		www.fciconnect.com	
ltr	ecn no.	dr	date	linear	.XX±.01/0.X±0.3	COPY				title	
B				linear	.XXX±.005/0.XX±0.13	projection				3ACP + 24S + 3ACP	
				angles	.XXX±.0020/0.XXX±0.051					VERTICAL PF HEADER	
				dr	RYAN YUAN 06/14/06	scale		product family		code	
				enr	SALLY LUO 06/14/06	1:1		PwrBlade		213	
				chr	BEER FU 06/14/06	A		size		sheet	
				appd	JOSEPH HSIA 06/14/06			dwg no		2 of 4	
sheet index		revision sheet						51952-095			

cage code 22526

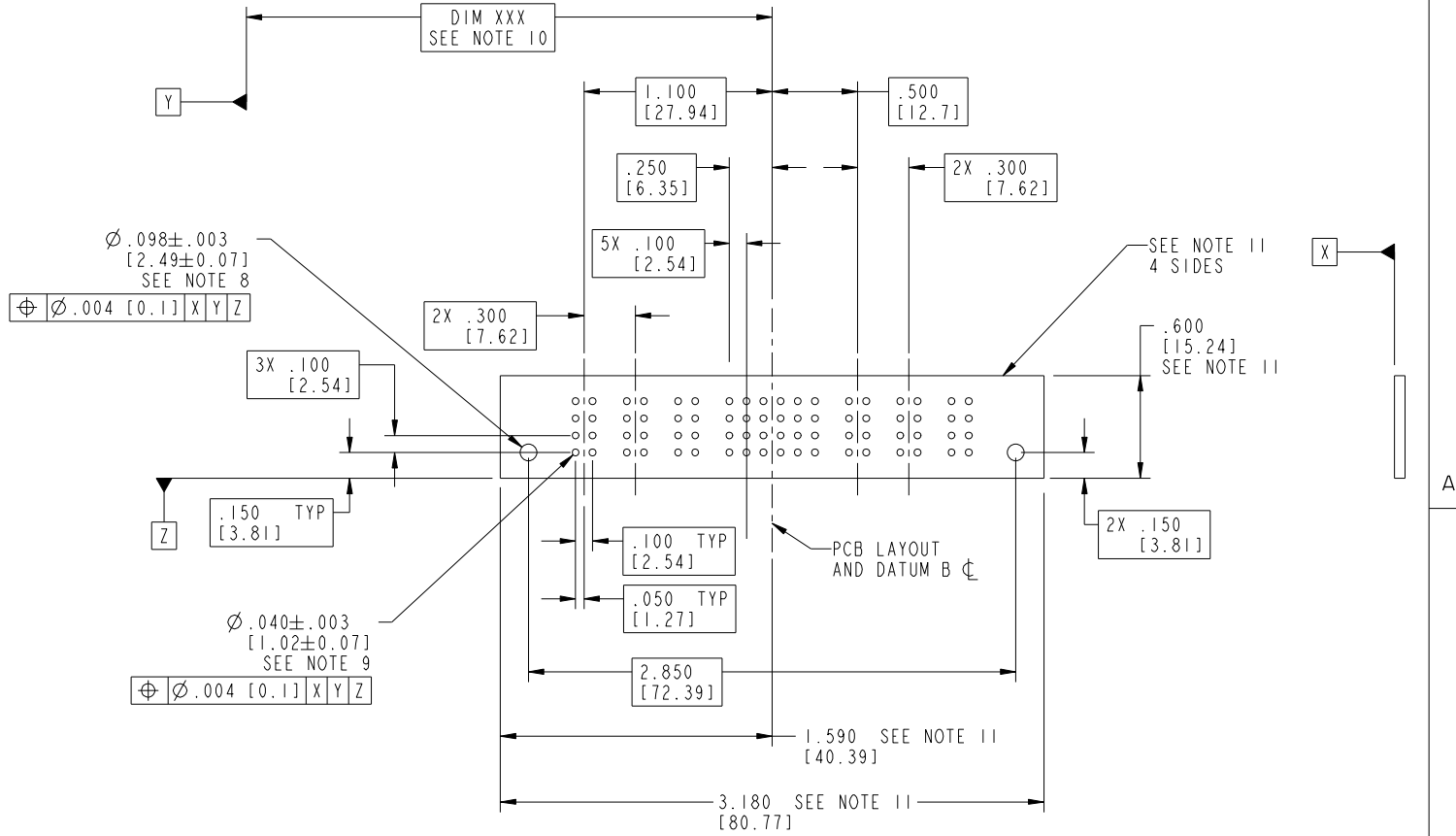
Pro/E

Tous droits strictement réservés. Reproduction ou communication à des tiers interdite sous quelque forme que ce soit sans autorisation écrite du propriétaire. Propriété de c.FCI. Droits de reproduction FCI.



All rights strictly reserved. Reproduction or issue to third parties in any form whatever is not permitted without written authority from the proprietor. Property of FCI. Copyright FCI.

PRODUCT NUMBER  
51952-095--  
NOTE ③



RECOMMENDED PCB LAYOUT

mat'l code		SEE NOTE 2		tolerances unless otherwise specified		CUSTOMER		 www.fciconnect.com	
ltr	ecn no.	dr	date	linear	.XX±.01/0.X±0.3	COPY		title	
B					.XXX±.005/0.XX±0.13	projection		3ACP + 24S + 3ACP	
				angles	.XXX±.002/0.XXX±0.051			VERTICAL PF HEADER	
				dr	0°±2°	INCH/MM		product family	
				enr	RYAN YUAN 06/14/06	scale		PwrBlade	
				chr	SALLY LUO 06/14/06	1:1		code	
				appd	BEER FU 06/14/06	A		213	
					JOSEPH HSIA 06/14/06	size		sheet	
sheet index	revision sheet					A		3 of 4	
						51952-095			

cage code 22526

Pro/E

Tous droits strictement reserves. Reproduction ou communication a des tiers interdite sous quelque forme que ce soit sans autorisation écrite du propriétaire. Propriete de c FCI. Droits de reproduction FCI.

All rights strictly reserved. Reproduction or issue to third parties in any form whatever is not permitted without written authority from the proprietor. Property of FCI. Copyright FCI.

PRODUCT NUMBER  
51952-095-001

NOTES:

1. DIMENSIONS AND TOLERANCES ARE IN ACCORDANCE WITH ASME Y14.5M, 1994 UNLESS OTHERWISE SPECIFIED.

CONNECTOR NOTES:

2 HOUSING MATERIAL: UL 94 V-0 GLASS FILLED HIGH-TEMP THERMOPLASTIC  
POWER CONTACT MATERIAL: COPPER ALLOY  
SIGNAL PIN MATERIAL: COPPER ALLOY

3 PLATING:  
SEE PRINT 10064183 FOR PLATING SPEC OF 51952-095; 51952-095LF

4 MANUFACTURER'S NAME, P/N, AND DATE CODE TO APPEAR ON THIS SURFACE.

5. PRODUCT SPECIFICATION GS-12-149.  
APPLICATION SPECIFICATION BUS-20-067.

6. PACKAGED IN TRAYS.

PCB NOTES:

7. ALL HOLE DIAMETERS ARE FINISHED HOLE SIZE.

9 MOUNTING HOLES, WHERE APPLICABLE, ARE UNPLATED.

8  $\varnothing .0453 \pm .0010$  [1.151  $\pm$  0.025] DRILLED HOLES PLATED WITH  
.0003 [0.008] MIN SnPb OVER .001 [0.03]  
TO .003 [0.08] Cu PLATING TO ACHIEVE  
 $\varnothing .040 \pm .003$  [1.02  $\pm$  .07] HOLE.

10 "DIM XXX" TO BE DETERMINED BY THE CUSTOMER.

11 CONNECTOR KEEP-OUT ZONE.

12. FOR PRESS FIT APPLICATION USE FCI CAM TOOL 430169-XXX.

13. A  $\triangle B$  SYMBOL WILL BE NEXT TO ANY DIMENSION, VIEW, OR NOTE WHICH HAS BEEN MODIFIED WITH CURRENT DRAWING REVISION.

mat'l code				tolerances unless otherwise specified		CUSTOMER		FCI		www.fciconnect.com	
ltr	ecr no.	dr	date	linear	.XX±.01/0.X±0.3	COPY				title	
B					.XXX±.005/0.XX±0.13	projection				3ACP + 24S + 3ACP	
				angles	.XXX±.0020/0.XXX±0.051					VERTICAL PF HEADER	
				dr	RYAN YUAN 06/14/06	INCH/MM		product family		PwrBlade	code
				enrg	STEVEN WANG mm/dd/yy	scale		size		dwg no	213
				chr	BEER FU 06/14/06	1:1		A		51952-095	sheet
				appd	JOSEPH HSIA 06/14/06						4 of 4
sheet index		revision sheet									

cage code 22526

Pro/E