

# Customer Information Sheet

DRAWING No.: M3497-98R

SHEET 2 OF 2

IF IN DOUBT - ASK

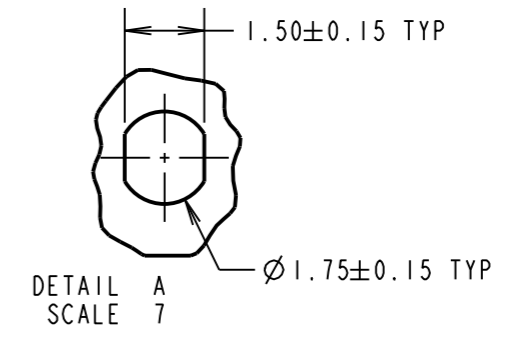
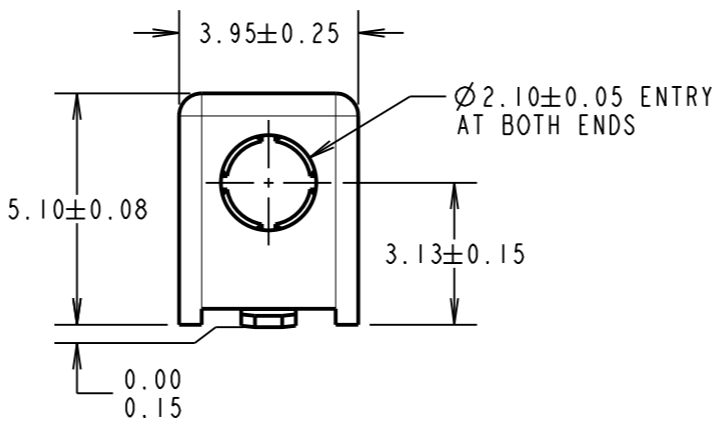
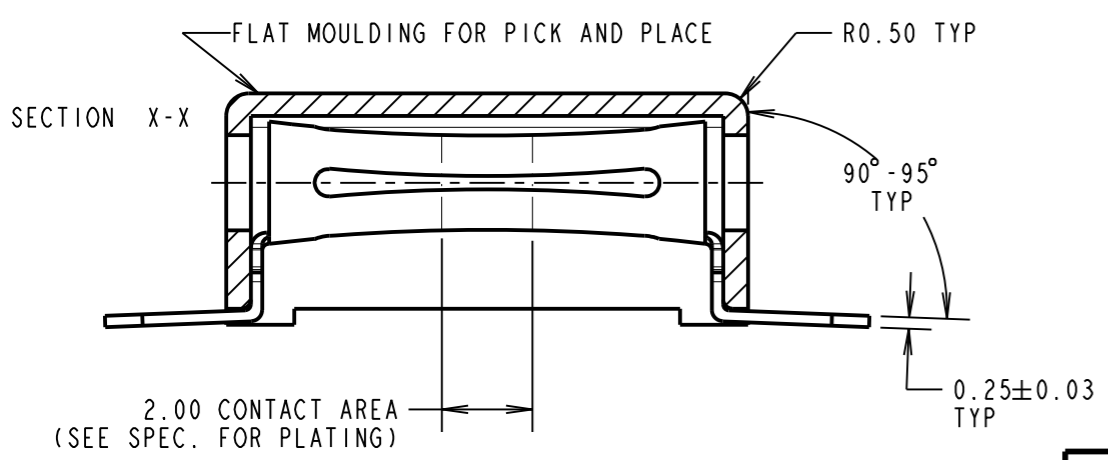
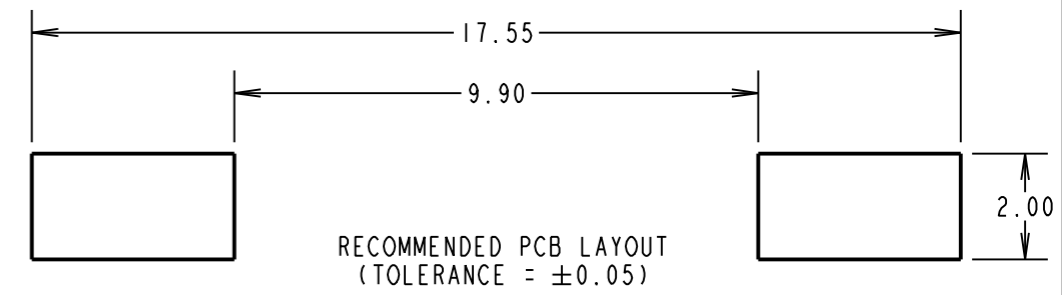
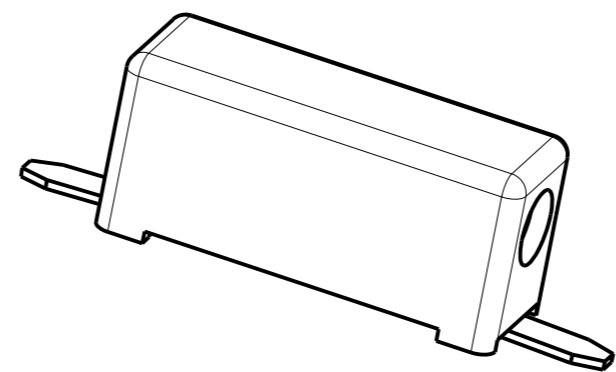
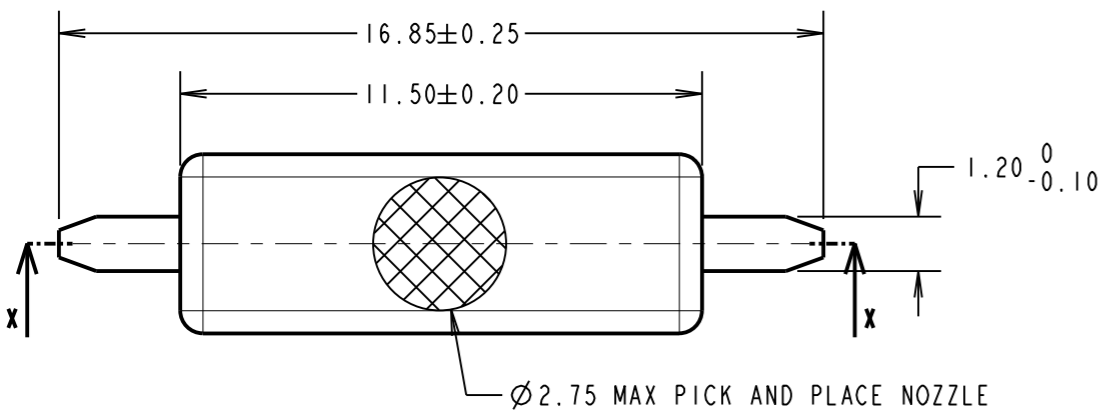
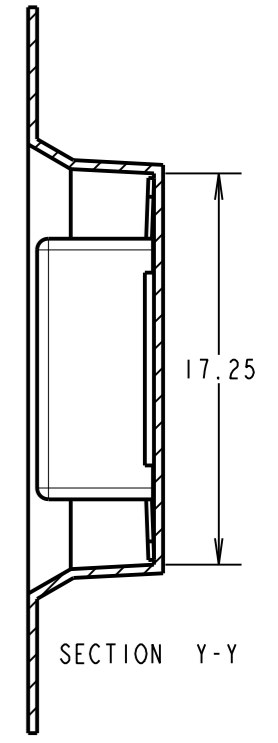
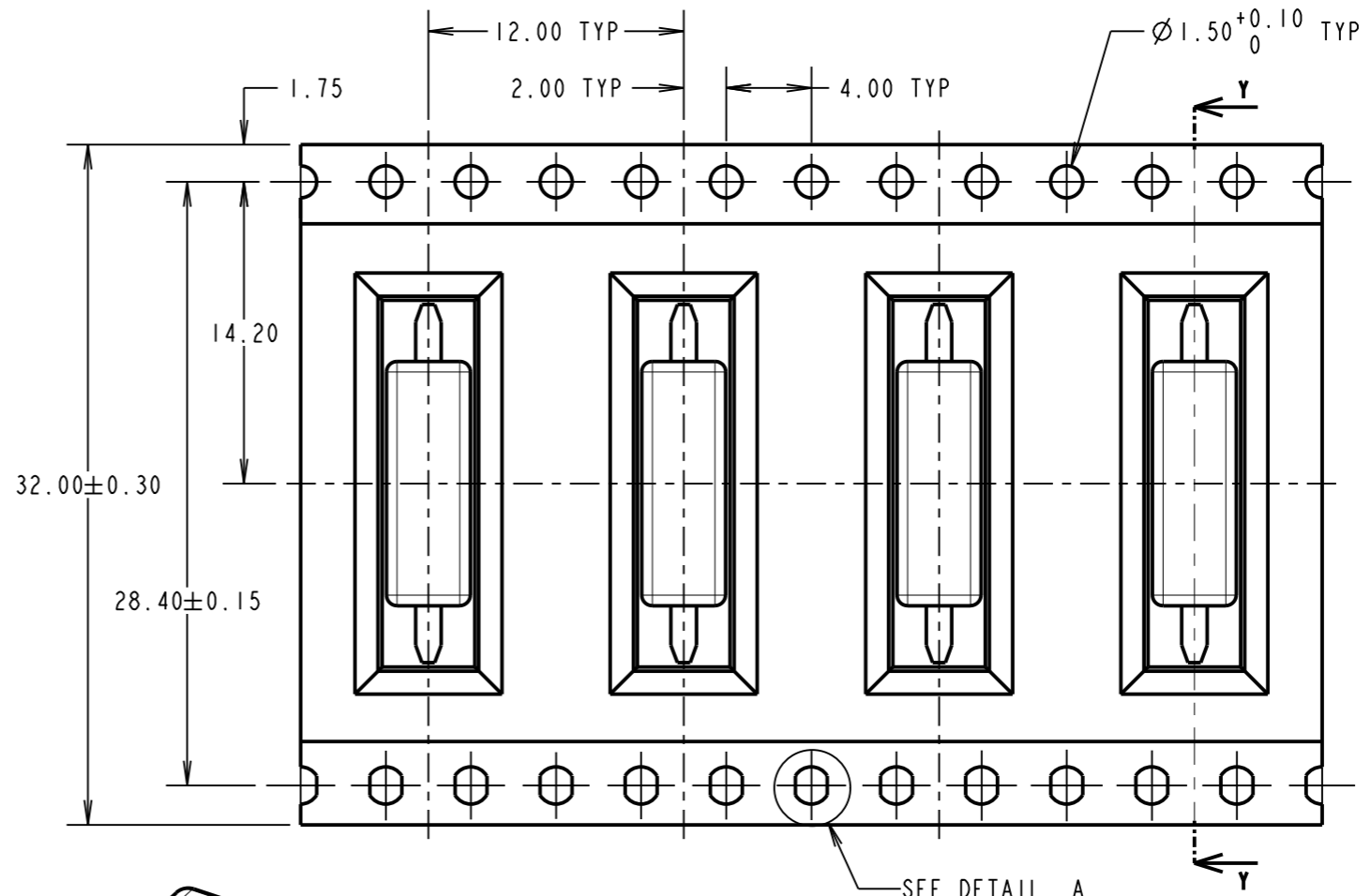
©

NOT TO SCALE

THIRD ANGLE PROJECTION


ALL DIMENSIONS IN mm

**SPECIFICATION:**  
**MATERIALS:**  
 INSULATOR = PA9T, HIGH TEMPERATURE THERMOPLASTIC, UL94V-0, BLACK  
 CONTACT = PHOSPHOR BRONZE  
**FINISH:**  
 CONTACT = 1.00µ - 3.05µ NICKEL ALL OVER, 0.254µ GOLD ON CONTACT AREA, GOLD FLASH ON TAILS.  
**ELECTRICAL:**  
 CURRENT RATING = 5A  
 VOLTAGE RATING = 1,500V AC/DC  
 INSULATION RESISTANCE = 1000MΩ MIN  
 CONTACT RESISTANCE = 5mΩ MAX  
**MECHANICAL:**  
 INSERTION FORCE = 22.2N MAX (Ø2.03mm PROBE)  
 WITHDRAWAL FORCE = 2.2N MIN (Ø2.03mm PROBE)  
 DURABILITY = 100 CYCLES  
**ENVIRONMENTAL:**  
 OPERATING TEMPERATURE = -40°C TO +105°C  
**PACKAGING:**  
 TAPE AND REEL = 1000 PER REEL



SB	5	10.04.14	12442
NAME	ISS.	DATE	C/NOTE
APPROVED:		S.BENNETT	
CHECKED:		S.FLOWER	
DRAWN:		S.BENNETT	
CUSTOMER REF.:			
ASSEMBLY DRG:			

**NOTES:**  
 1. FOR PRODUCT IN CUT STRIP PACKAGING, SEE DRAWING M3497-98.  
 2. RECOMMENDED MATING PROBE: Ø2.01mm MIN TO Ø2.05mm MAX.

 www.harwin.com technical@harwin.com	THIS DRAWING AND ANY INFORMATION OR DESCRIPTIVE MATTER SET OUT HEREON ARE CONFIDENTIAL AND COPYRIGHT PROPERTY OF THE HARWIN GROUP AND MUST NOT BE DISCLOSED, LOANED, COPIED OR USED FOR MANUFACTURING, TENDERING OR FOR ANY OTHER PURPOSE WITHOUT THEIR WRITTEN PERMISSION.	<b>TOLERANCES</b> X. = ±1mm X.X = ±0.25mm X.XX = ±0.10mm X.XXX = ±0.01mm ANGLES = ±5° UNLESS STATED	<b>MATERIAL:</b> SEE ABOVE <b>FINISH:</b> SEE ABOVE <b>S/AREA:</b> mm <sup>2</sup>	<b>TITLE:</b> SMT TEST JACK IN TAPE AND REEL <b>DRAWING NUMBER:</b> M3497-98R	SHT 2 OF 2
					<b>M3497-98R</b>