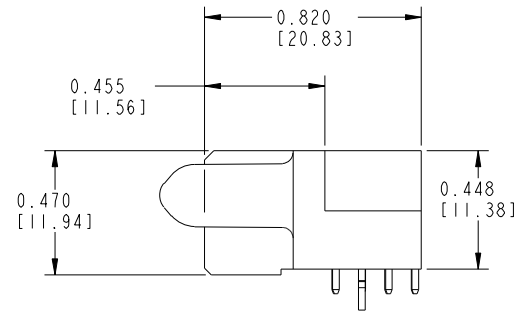
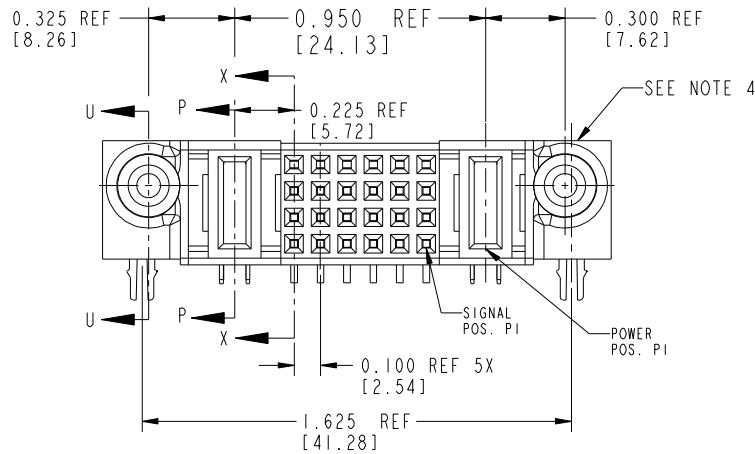
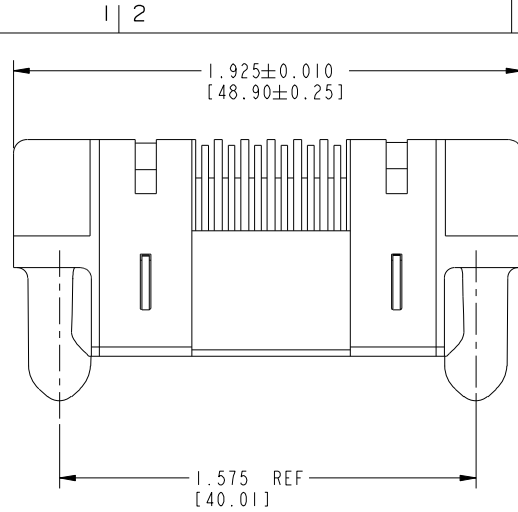


Tous droits strictement réservés. Reproduction ou communication à des tiers interdite sous quelque forme que ce soit sans autorisation écrite du propriétaire. Propriété de c.FCI. Droits de reproduction FCI.



All rights strictly reserved. Reproduction or issue to third parties in any form whatever is not permitted without written authority from the proprietor. Property of FCI. Copyright FCI.

PRODUCT NUMBER  
51416-00X---  
NOTE ③



mat'l code				SEE NOTES		tolerances unless otherwise specified		CUSTOMER		FCI		
ltr	ecn no.	dr	date	linear	.XX ± .01 / .X ± .3	COPY		www.fciconnect.com		title		
A	V90563	CHB	02-18-99		.XXX ± .005 / .XX ± .13	projection		IP + 24S + IP		RIGHT ANGLE SOLDER RECEPT		
B	V90919	SAR	04-14-99	angles	.XXX ± .0020 / .XXX ± .051	INCH/MM		product family		code		
C	V94029	CHB	10-08-99		0° ± 2°	scale		PwrBlade		213		
D	V01376	EKK	06-08-00	dr	LEVEL 4	3:2		size		sheet		
E	DG05-0049	SW	03-17-05	engr	J. BROWN	A		dwg no		1 of 5		
F	DG05-0230	LH	07-19-05	chr	J. BROWN	cage code		51416				
G	DG08-0239	JC	09/12/08	appd	J. BROWN	22526						
sheet index		revision sheet		G	G	G	G					
		I 2		3	4	5						

THIS FILE WAS ORIGINALLY CREATED IN THE PRO ENGINEER ENVIRONMENT AND ANY FUTURE REVISIONS TO THIS FILE MUST BE MADE IN THE PRO ENGINEER ENVIRONMENT

Pro/E

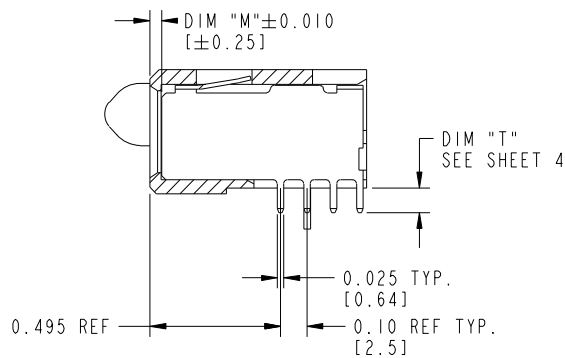
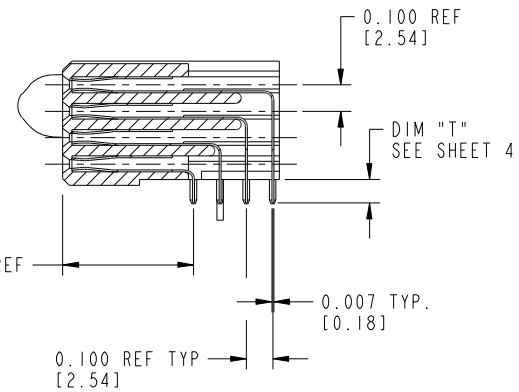
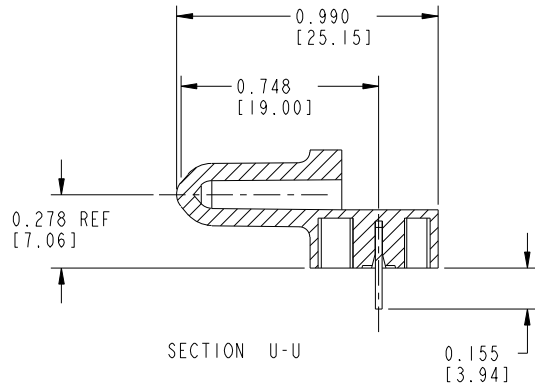
cage code 22526

Tous droits strictement reserves. Reproduction ou communication a des tiers interdite sous quelque forme que ce soit sans autorisation ecrite du proprietaire. Propriete de c FCI. Droits de reproduction FCI.



All rights strictly reserved. Reproduction or issue to third parties in any form whatever is not permitted without written authority from the proprietor. Property of FCI. Copyright FCI.

PRODUCT NUMBER  
51416-00X  
NOTE (3)



mat'l code		SEE NOTES		tolerances unless otherwise specified		CUSTOMER		 www.fciconnect.com	
ltr	ecn no.	dr	date	linear	.XX ± .01 / .X ± .3	COPY		title	
G				angles	.XXX ± .005 / .XX ± .13	projection		IP + 24S + IP RIGHT ANGLE SOLDER RECEPT	
				dr	.XXX ± .0020 / .XXX ± .051	 INCH/MM		product family	
				enr	0° ± 2°	scale		PwrBlade	
				chr	LEVEL 4 01-12-99	3:2		code	
				appd	J. BROWN 01-12-99	A		213	
sheet index		revision sheet						size	
								dwg no	
								51416-001	
								sheet	
								2	

cage code 22526

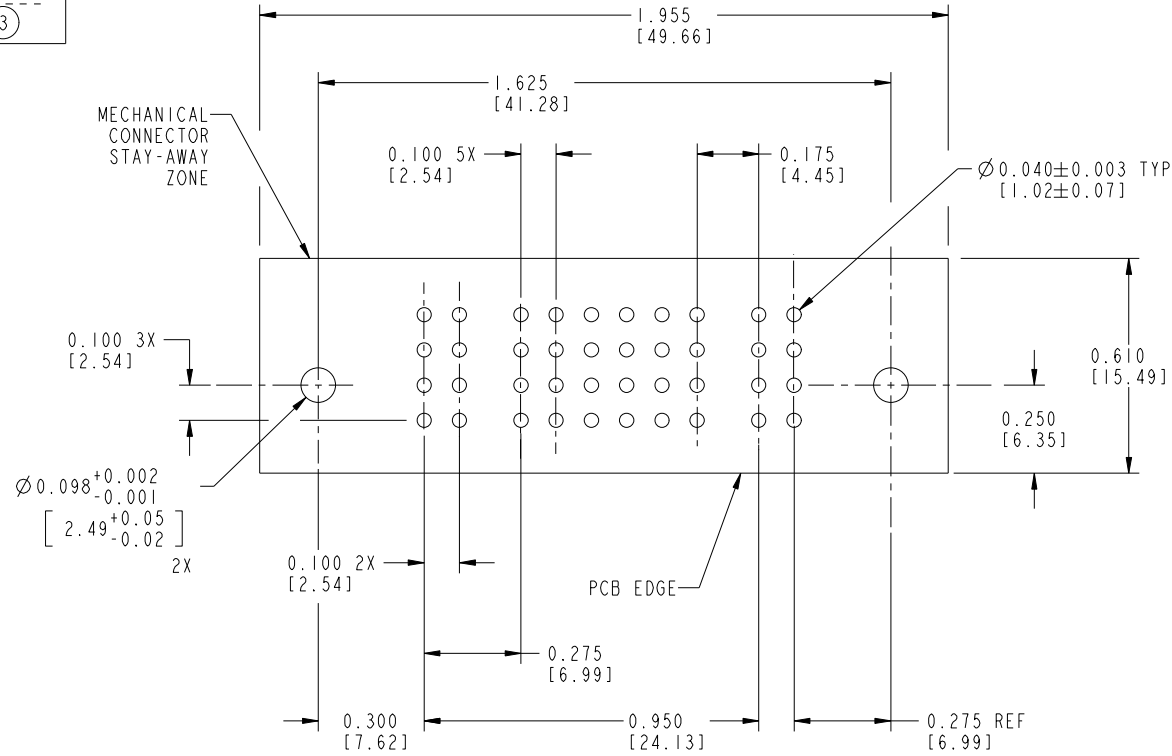
Pro/E

Tous droits strictement réservés. Reproduction ou communication à des tiers interdite sous quelque forme que ce soit sans autorisation écrite du propriétaire. Propriété de c.FCI. Droits de reproduction FCI.



All rights strictly reserved. Reproduction or issue to third parties in any form whatever is not permitted without written authority from the proprietor. Property of FCI. Copyright FCI.

PRODUCT NUMBER  
51416-00X---  
NOTE ③



RECOMMENDED PCB LAYOUT

mat'l code		SEE NOTES		tolerances unless otherwise specified		CUSTOMER COPY		www.ficconnect.com	
ltr	ecn no.	dr	date	linear	.XX ± .01/.X ± .3	projection		title	
G				angles	.XXX ± .005/.XX ± .13	INCH/MM		IP + 24S + IP RIGHT ANGLE SOLDER RECEPT	
				dr	.XXXX ± .0020/.XXX ± .051	scale	product family	PwrBlade	code
				enr	0° ± 2°	3:2	size	dwg no	213
				chr	LEVEL 4 01-12-99		A	51416	sheet
				appd	J. BROWN 01-12-99				3
sheet index	revision sheet								

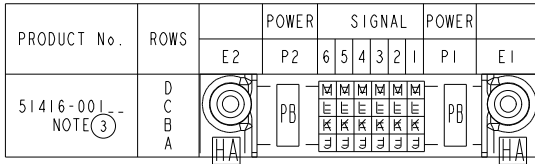
cage code 22526

Pro/E

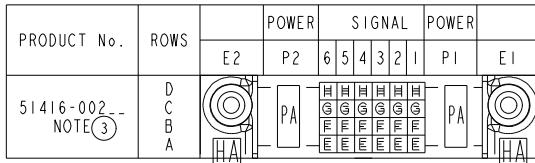
Tous droits strictement réservés. Reproduction ou communication à des tiers interdite sous quelque forme que ce soit sans autorisation écrite du propriétaire. Propriété de c FCI. Droits de reproduction FCI.

All rights strictly reserved. Reproduction or issue to third parties in any form whatever is not permitted without written authority from the proprietor. Property of FCI. Copyright FCI.

ITEM NO.	QTY	DIM "M" MATING LENGTH ±.010		DIM "T" TAIL LENGTH +.005-[.13]-.010 [.25]		CONTACT TYPE
PB	2	0.042	[1.07]	0.090	[2.29]	POWER
J	6	N/A	[N/A]	0.090	[2.29]	SIGNAL
K	6	N/A	[N/A]	0.090	[2.29]	SIGNAL
L	6	N/A	[N/A]	0.090	[2.29]	SIGNAL
M	6	N/A	[N/A]	0.090	[2.29]	SIGNAL
HA	2	N/A	[N/A]	N/A	[N/A]	HOLD-DOWN



ITEM NO.	QTY	DIM "M" MATING LENGTH ±.010 [.25]		DIM "T" TAIL LENGTH ±.010 [.25]		CONTACT TYPE
PA	2	0.042	[1.07]	0.135	[3.43]	POWER
E	6	N/A	[N/A]	0.135	[3.43]	SIGNAL
F	6	N/A	[N/A]	0.135	[3.43]	SIGNAL
G	6	N/A	[N/A]	0.135	[3.43]	SIGNAL
H	6	N/A	[N/A]	0.135	[3.43]	SIGNAL
HA	2	N/A	[N/A]	N/A	[N/A]	HOLD-DOWN



mat'l code		SEE NOTES		tolerances unless otherwise specified		CUSTOMER COPY		www.ficconnect.com	
ltr	ecn no.	dr	date	linear	.XX ±.01/.X ±.3	projection		title	
G				angles	.XXX ±.005/.XX ±.13 .XXXX ±.0020/.XXX ±.051			IP + 24S + IP RIGHT ANGLE SOLDER RECEPT	
				dr	0° ± 2°	scale	1:1	product family	PwrBlade
				enrg	LEVEL 4 01-12-99	size	A	dwg no	51416
				chr	J. BROWN 01-12-99	code			213
				appd	J. BROWN 01-12-99	sheet			4
sheet index	revision sheet								

cage code 22526

Pro/E

Tous droits strictement reserves. Reproduction ou communication a des tiers interdite sous quelque forme que ce soit sans autorisation écrite du propriétaire. Propriete de c FCI. Droits de reproduction FCI.

All rights strictly reserved. Reproduction or issue to third parties in any form whatever is not permitted without written authority from the proprietor. Property of FCI. Copyright FCI.

PRODUCT NUMBER  
51416-00X  
NOTE ③

NOTES:

1. DIMENSIONS AND TOLERANCES ARE IN ACCORDANCE WITH ASME Y14.5M, 1994 UNLESS OTHERWISE SPECIFIED.

CONNECTOR NOTES:

- 2. HOUSING MATERIAL: UL 94 V-0 GLASS FILLED HIGH-TEMP THERMOPLASTIC  
POWER CONTACT MATERIAL: COPPER ALLOY  
SIGNAL PIN MATERIAL: COPPER ALLOY
- 3. PLATING(51416-00X STAND FOR 51416-001 AND 51416-002)

△ SEE ITEM 5 & 6 IN PRINT 10064183 FOR PLATING SPEC OF 51416-00X AND 51416-00XLF RESPECTIVELY

- 4. MANUFACTURER'S NAME, P/N, AND DATE CODE TO APPEAR ON THIS SURFACE.
- 5. PRODUCT SPECIFICATION GS-12-149.  
APPLICATION SPECIFICATION BUS-20-067.

PCB NOTES:

- 6. ALL HOLE DIAMETERS ARE FINISHED HOLE SIZE.
- 7. MOUNTING HOLES, WHERE APPLICABLE, ARE UNPLATED.
- 8.  $\varnothing .0453 \pm 0.0010$  [ $1.151 \pm 0.025$ ] DRILLED HOLES PLATED WITH  $.0003$  [0.008] MIN SnPb OVER  $.001$  [0.03] TO  $.003$  [0.08] Cu PLATING TO ACHIEVE  $\varnothing .040 \pm .003$  [ $1.02 \pm .07$ ] HOLE.
- 9. "DIM XXX" TO BE DETERMINED BY THE CUSTOMER.
- 10. CONNECTOR KEEP-OUT ZONE.
- 11. A △ SYMBOL WILL BE NEXT TO ANY DIMENSION, VIEW, OR NOTE WHICH HAS BEEN MODIFIED WITH THE CURRENT DRAWING REVISION.

mat'l code		SEE NOTES		tolerances unless otherwise specified		CUSTOMER		FCJ	
ltr	ecn no.	dr	date	linear	.XX±.01/0.X±0.3	COPY		www.fciconnect.com	
G				linear	.XXX±.005/0.XX±0.13	projection	title IP + 24S + IP		
				angles	.XXX±.0020/0.XXX±0.051		RIGHT ANGLE SOLDER RECEPT		
				dr	0°±2°	INCH/MM	product family	PwrBlade	code
				enrg	LEVEL 4 01-12-99	scale	size	dwg no	213
				chr	J. BROWN 01-12-99	3:2	A	51416	sheet
				appd	J. BROWN 01-12-99				5
sheet index	revision sheet								

THIS FILE WAS ORIGINALLY CREATED IN THE PRO ENGINEER ENVIRONMENT AND ANY FUTURE REVISIONS TO THIS FILE MUST BE MADE IN THE PRO ENGINEER ENVIRONMENT

cage code 22526