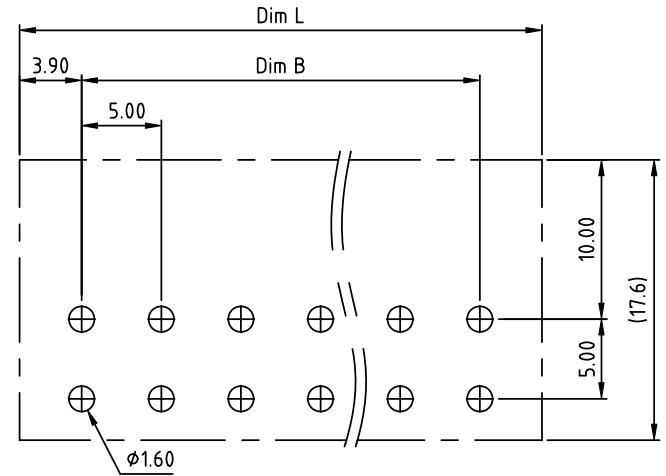
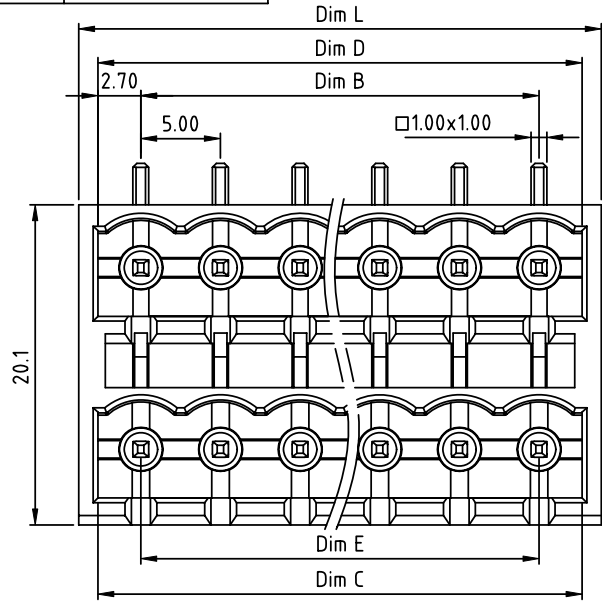
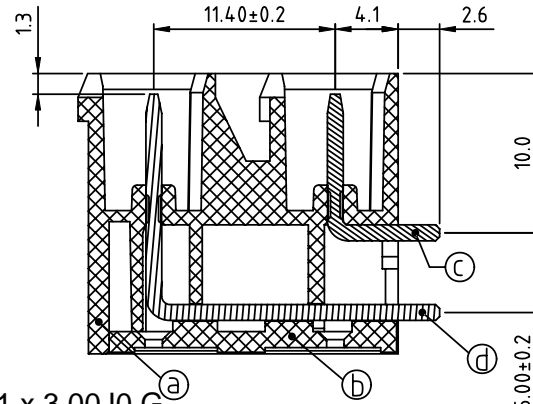
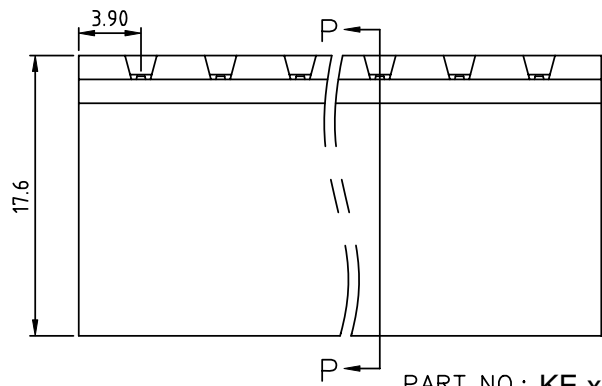


PRODUCT NUMBER	PITCH
KExx71x300J0G	5.00 mm



RECOMMENDED P.C.B LAYOUT
TOP VIEW



PART NO.: KE xx 7 1 x 3 00J0 G

SECTION P-P

Material:

- Item① Terminal(housing): Thermoplastic (UL94V-0)
- Item② Terminal(cover): Thermoplastic (UL94V-0)
- Item③ Short pin: Copper Tin plated
- Item④ Long pin: Copper Tin plated

Electrical:

- Voltage rating: 300V
- Current rating: 12A
- Withstanding Voltage: 1.6KV
- Operating temperature: -40°C to +115°C
- Soldering temperature: 260°C±5°C/5 Sec
- Safety Approval:

N=Number of poles
Dim L=N/2×5.0+2.8
Dim B=(N/2-1)×5.0

Dim C=(N/2-1)×5.0+5.4
Dim D=(N/2-1)×5.0+5.4
Dim E=(N/2-1)×5.0

Solid block	0	Color	Black (RAL9005)	RoHS compliant
No. of poles	2		Red (RAL3001/D)	(lead<4%)
04 2x2poles	3		Orange(RAL2011/P)	In copper Alloy
06 2x3poles	4		Yellow(RAL1018/A)	
...	...		Green(RAL6018/T)	
48 2x24poles	6		Blue (RAL5015/A)	
			8 Grey(RAL7035/D)	
			9 White(RAL1102)	
			C Green(RAL6018/U)	

Poles	Dim L	Dim B	Dim C	Dim D	Dim E
2×2P-2×6P	±0.15	±0.15	+0.05 -0.05	+0.05 -0.05	±0.15
2×7P-2×12P	±0.25	±0.25	+0.10 -0.05	+0.10 -0.05	±0.25
2×13P-2×18P	±0.35	±0.35	+0.20 -0.05	+0.20 -0.05	±0.35
2×19P-2×24P	±0.40	±0.40	+0.25 -0.10	+0.25 -0.10	±0.40

mat'l. code		surface ASME Y14.5	tolerance ASME Y14.5	projection	product family
ltr	ecn no	dr	date		TERMINAL BLOCK
		tolerances unless otherwise specified		MM	title
		angles	X.±0.5		TERMINAL BLOCK
		fil	X.X±0.3		PLUGGABLE SOCKET,CLOSE RIGHT ANGLE
		X*±1°	X.XX±0.1	scale	dwg no
		dr	EVIN ZHONG 042414		sheet 1 of 1
		enrg	EVIN ZHONG 042414		size
		chr	HANKE FENG 042414		A4
		appd	SHI JUN 042414		type
					CUSTOMER Drawing
sheet index	revision	A			
	sheet	1			