

BASIC PART NUMBER: 83808- X X X X X X X

CARD TYPE: I

CARD TYPE: II

I/O: CLOSED WITH GROUND CONTACT

I/O: 1 CONNECTOR

I/O: 2 CONNECTORS

LABEL RECESS: NO

LABEL RECESS: YES

INSULATOR: NO

INSULATOR: YES

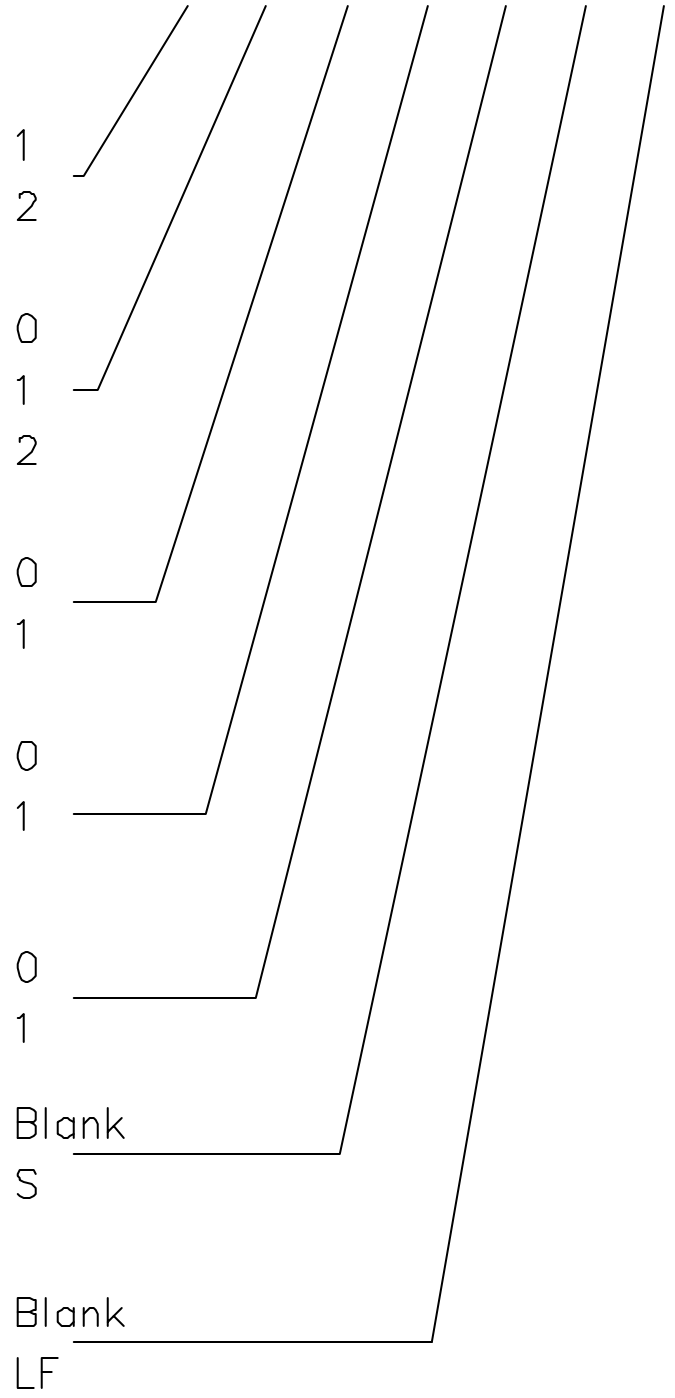
CARDBUS: NO

CARDBUS: YES

PACKAGING: 1000Pcs/BOX

PACKAGING: 200Pcs/BOX

ALL PART NUMBER: RoHS COMPLIANT SPECIFICATION



83808-XXXXXX IS SIMILAR TO 83808-XXXXXXLF, THE SUFFIX "LF" IS ADDED FOR LEAD FREE IDENTIFICATION

THIS PRODUCT MEETS EUROPEAN UNION DIRECTIVES AND OTHER COUNTRY REGULATIONS AS PER GS-22-008. PACKAGING SPECIFICATION GS-14-920

PROPERTIES:

CARD SHIELD: STAINLESS STEEL, THICKNESS 0.2mm

SURFACE FINISH: MATTE

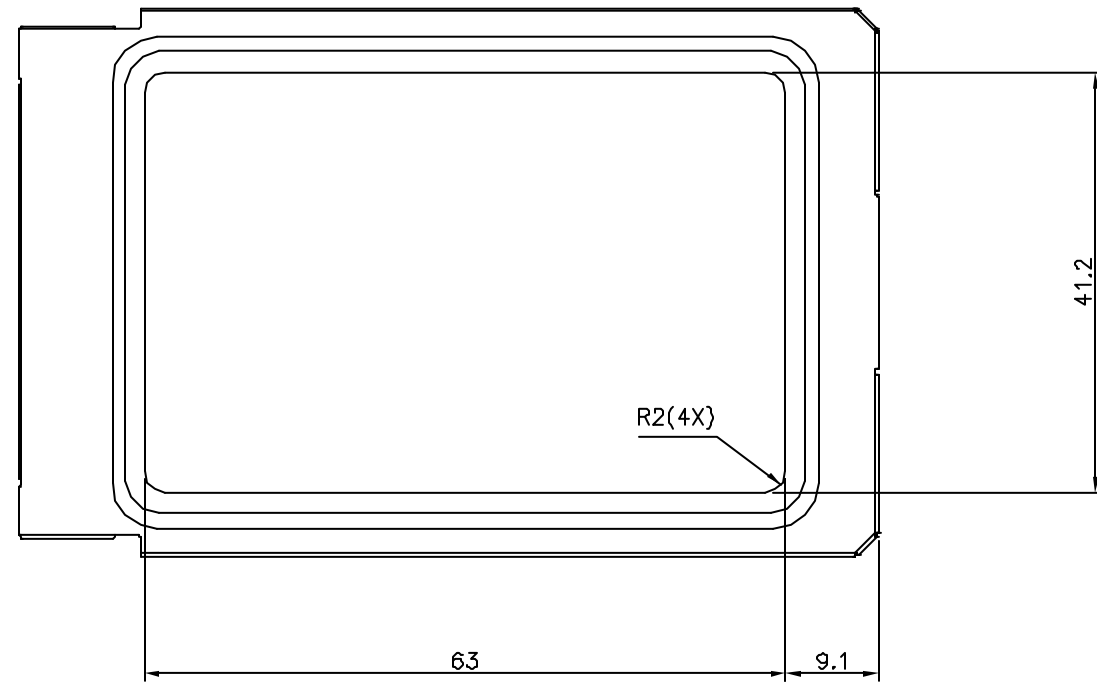
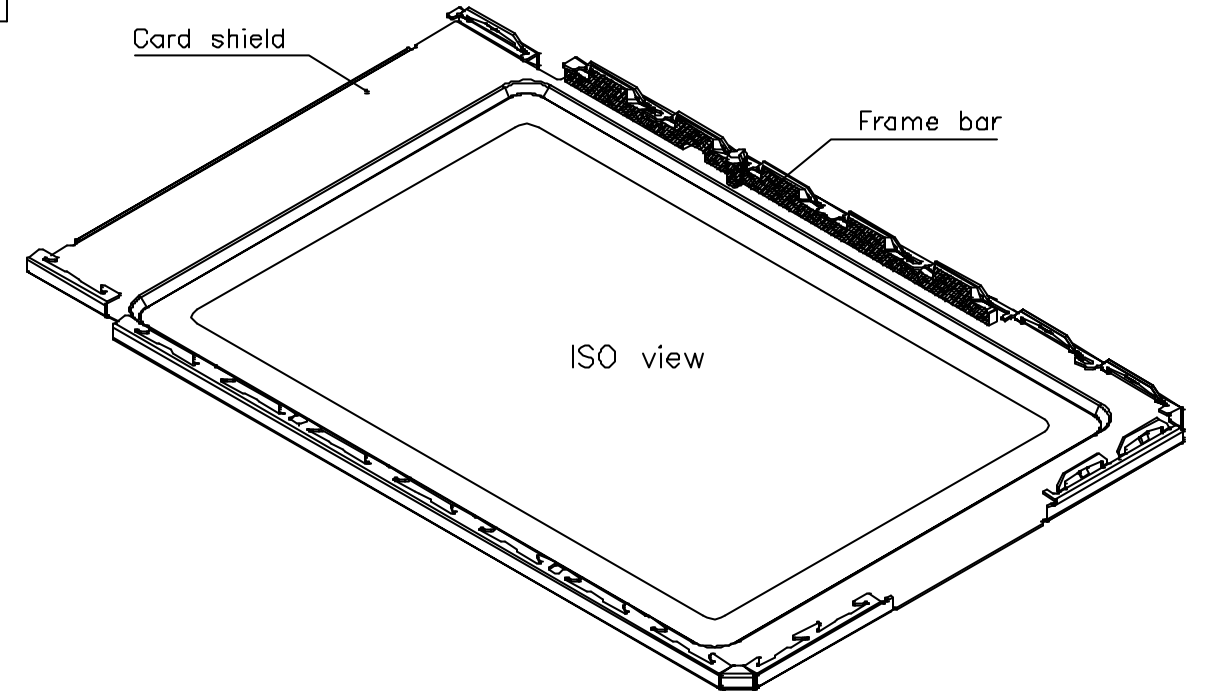
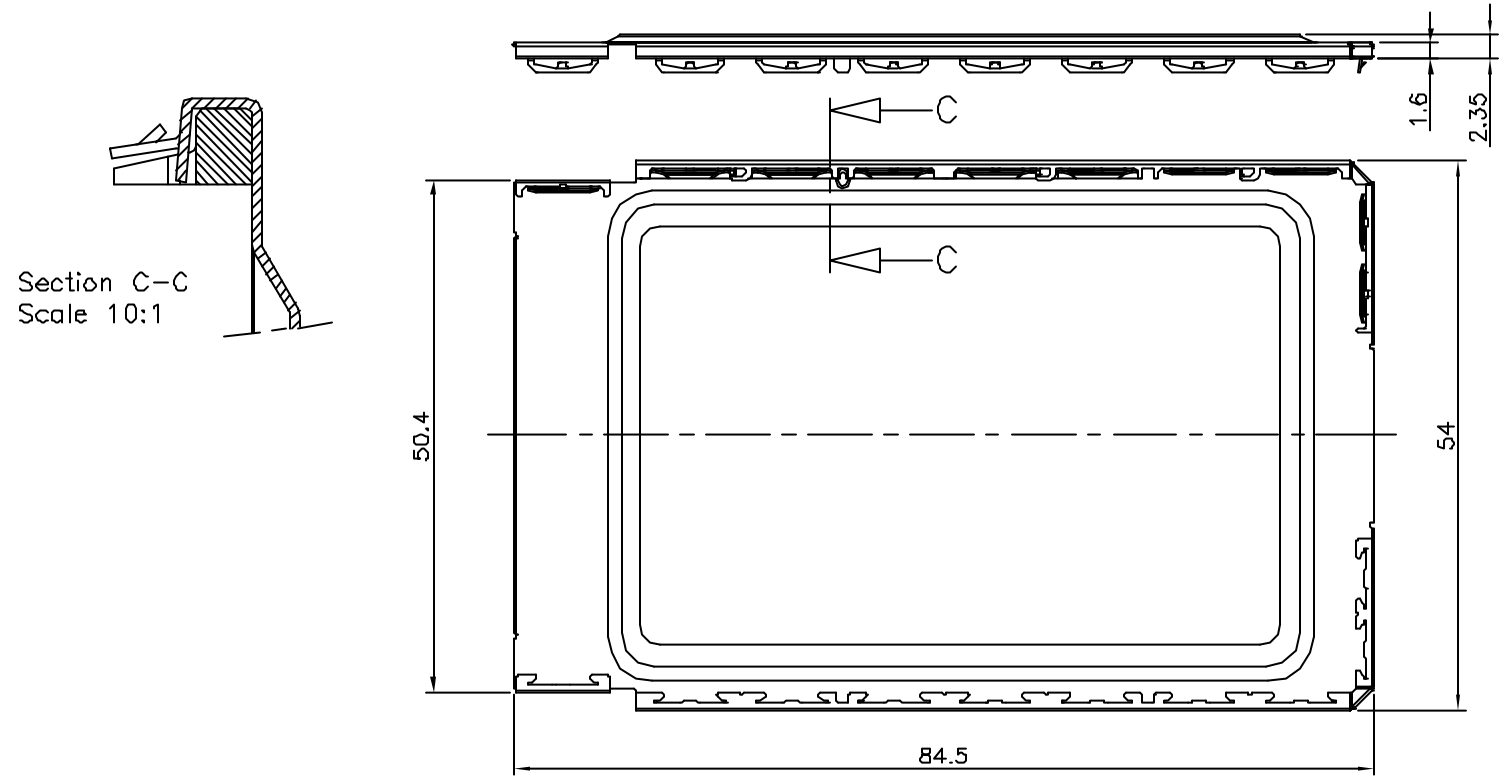
FRAME BAR: PPO, COLOR BLACK, UL94V-0

INSULATOR: DIELECTRIC STRENGTH 2500V

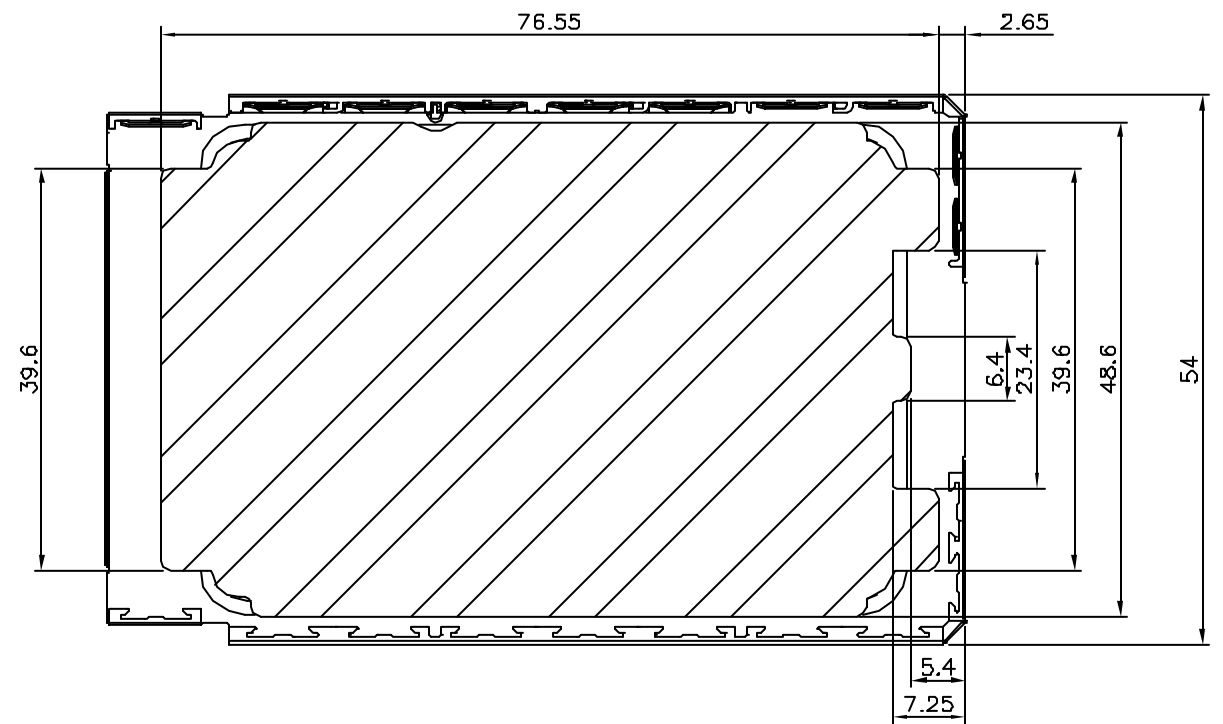
mat'l. code				surface <input checked="" type="checkbox"/> ISO 1302		tolerance <input checked="" type="checkbox"/> ISO 406 <input type="checkbox"/> ISO 1101				projection		product family PCMCIA				
Ltr	ecn no	dr	date	tolerances unless otherwise specified								title				
H	F10514	DLE	01.09.07	angles linear								ROCARD SHIELD				
J	F05-0254	DLE	05.09.26													
K	F06-0138	DLE	06.02.27									scale 1:1 sheet 1 of 10 size A4				
L	F06-0138	DLE	06.02.27													
M	F06-0248	DLE	06.07.28													
G	F00439	DLE	00.06.19	dr	D LEGRAND	01.09.07	dwg no 83808				type CUSTOMER Drawing					
sheet index		revision sheet	M	G	G	G	G	G	F	F	F	F				
			1	2	3	4	5	6	7	8	9	10				

Product number	Insulator	Label recess
83808-21000LF	no	no
83808-21010LF	yes	no
83808-21100LF	no	yes
83808-21110LF	yes	yes

Product number	Packaging
83808-xxxxxLF	1000 Rocard Shield/Box
83808-xxxxxSLF	200 Rocard Shield/Box



Version: Label recess
(maximum label thickness 0.07 mm)

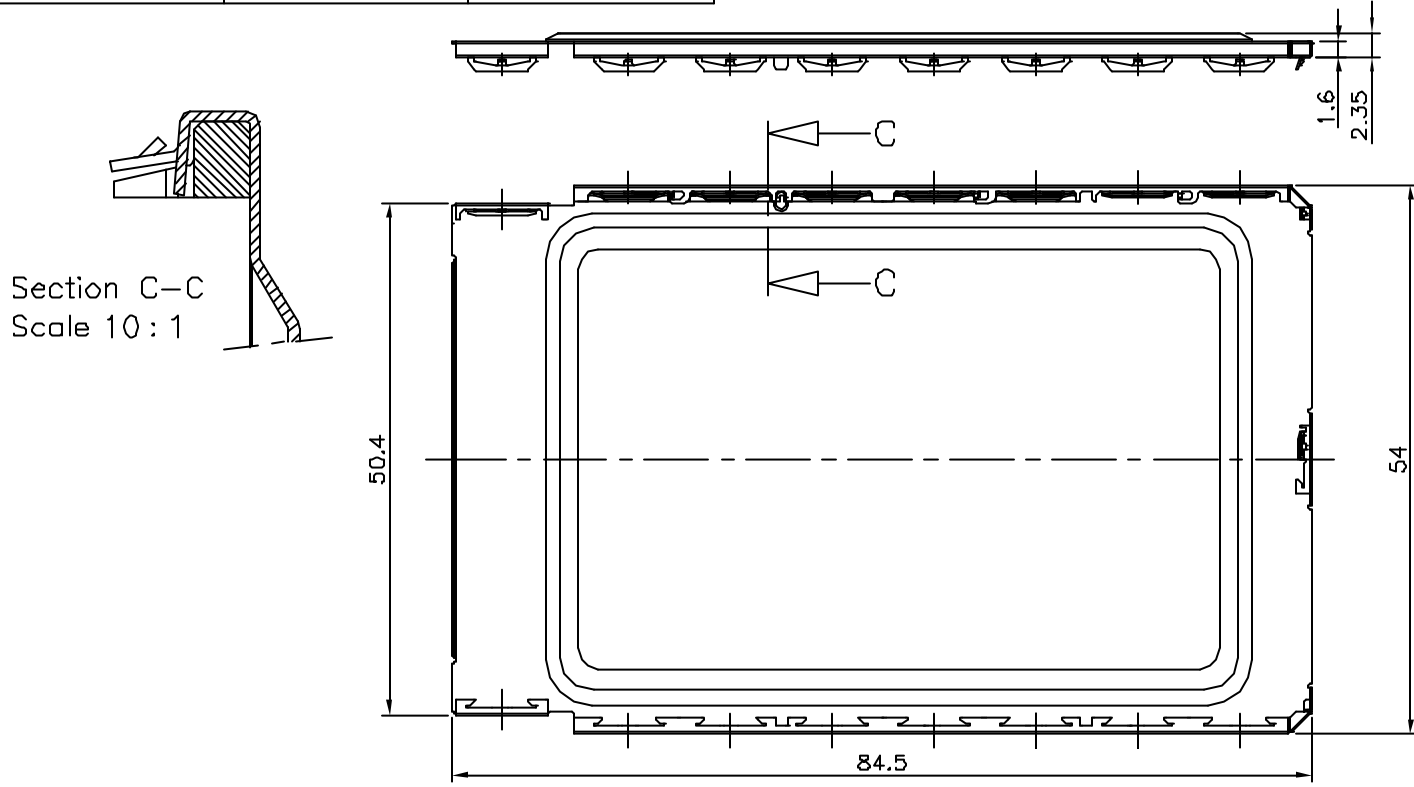


Version: Insulator
(thickness 0.07 mm)

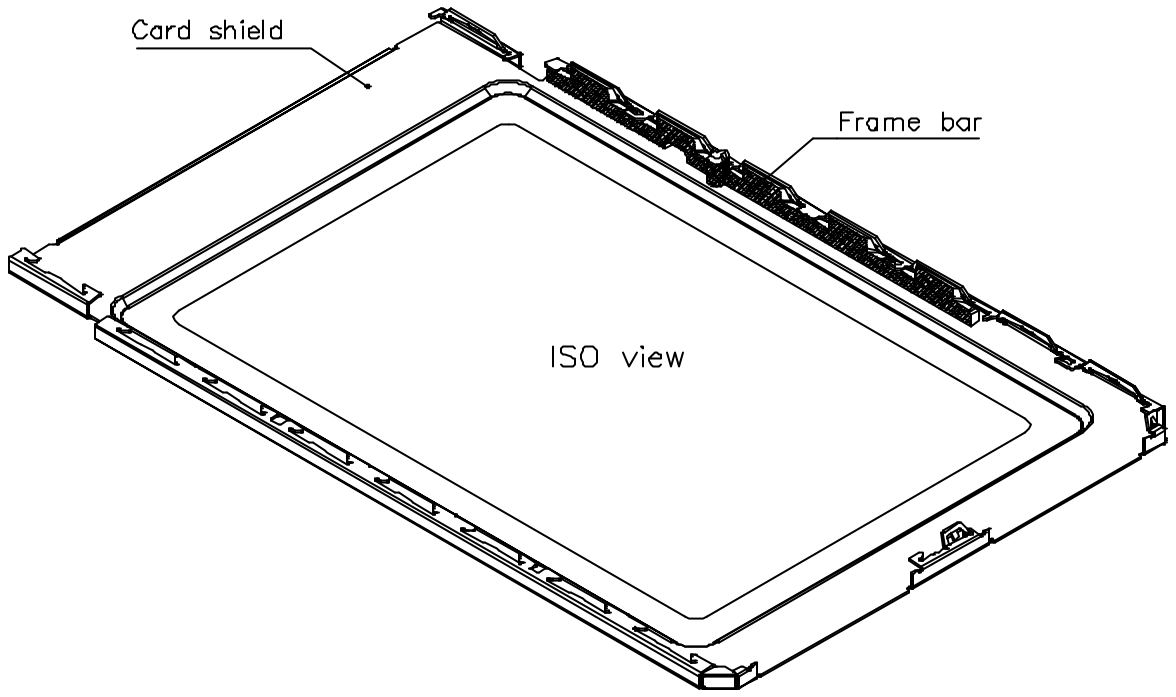
lfr	ecr	no	dr	date	surface	tolerance	projection	product family
A	H80049	GCA	98.02.12		ISO 1302	ISO 416 ISO 1101	mm	PCMCIA
B	F80195	GCA	98.04.08		tolerances unless otherwise specified			title
C	F90323	DLE	99.05.04		angles	linear	scale 2:1	ROCARD SHIELD TYPE II, 1x1/0
D	F10514	DLE	01.08.07	dr	H VEREUKEN	98.02.12		sheet 2 of -
E	F05-0254	DLE	05.09.26	enfr	F HAUTIER	99.05.04		83808
F	F08-0138	DLE	06.02.27	chr	D LEGRAND	99.05.04		Az
G	F06-0248	DLE	06.07.28	app	F HAUTIER	99.05.04		type
sheet	revision							CUSTOMER Drawing
index	sheet							

Product number	Insulator	Label recess
83808-22000LF	no	no
83808-22010LF	yes	no
83808-22100LF	no	yes
83808-22110LF	yes	yes

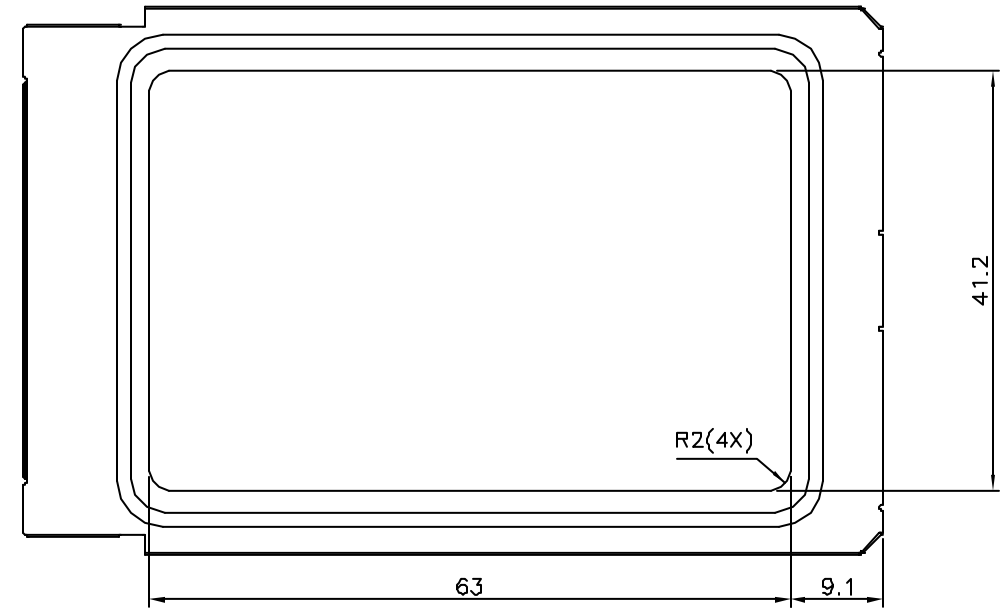
Product number	Packaging
83808-xxxxxLF	1000 Rocard Shield/Box
83808-xxxxxSLF	200 Rocard Shield/Box



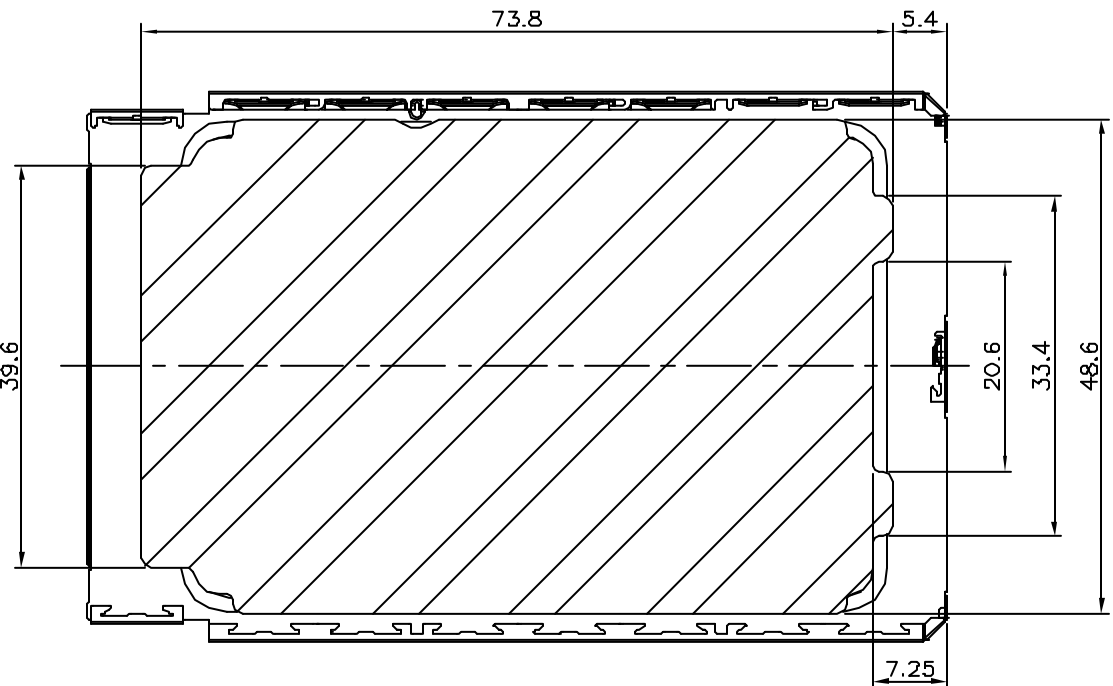
Section C-C
Scale 10:1



ISO view



Version: Label recess
(maximum label thickness 0.07 mm)

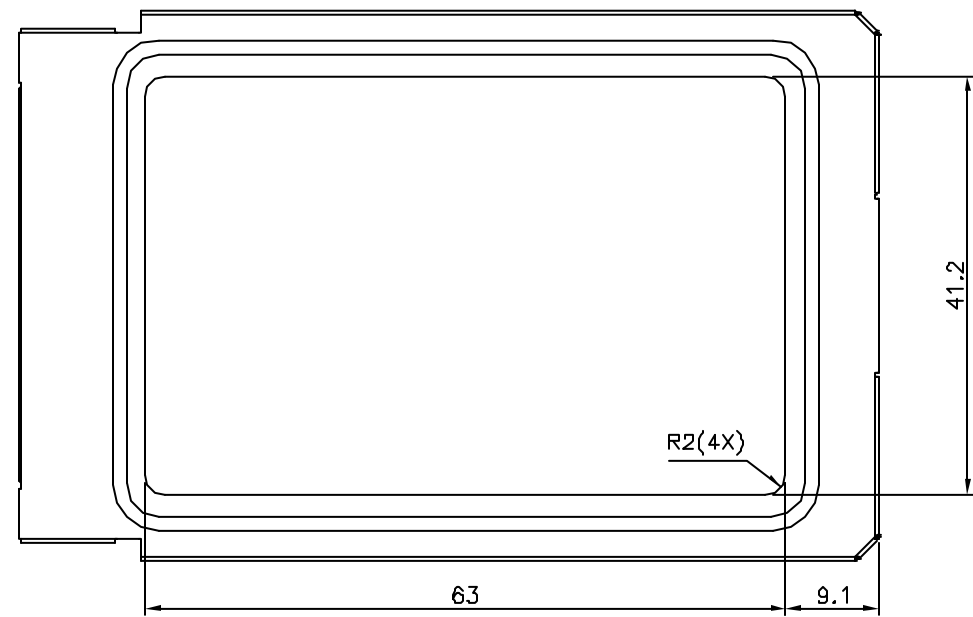
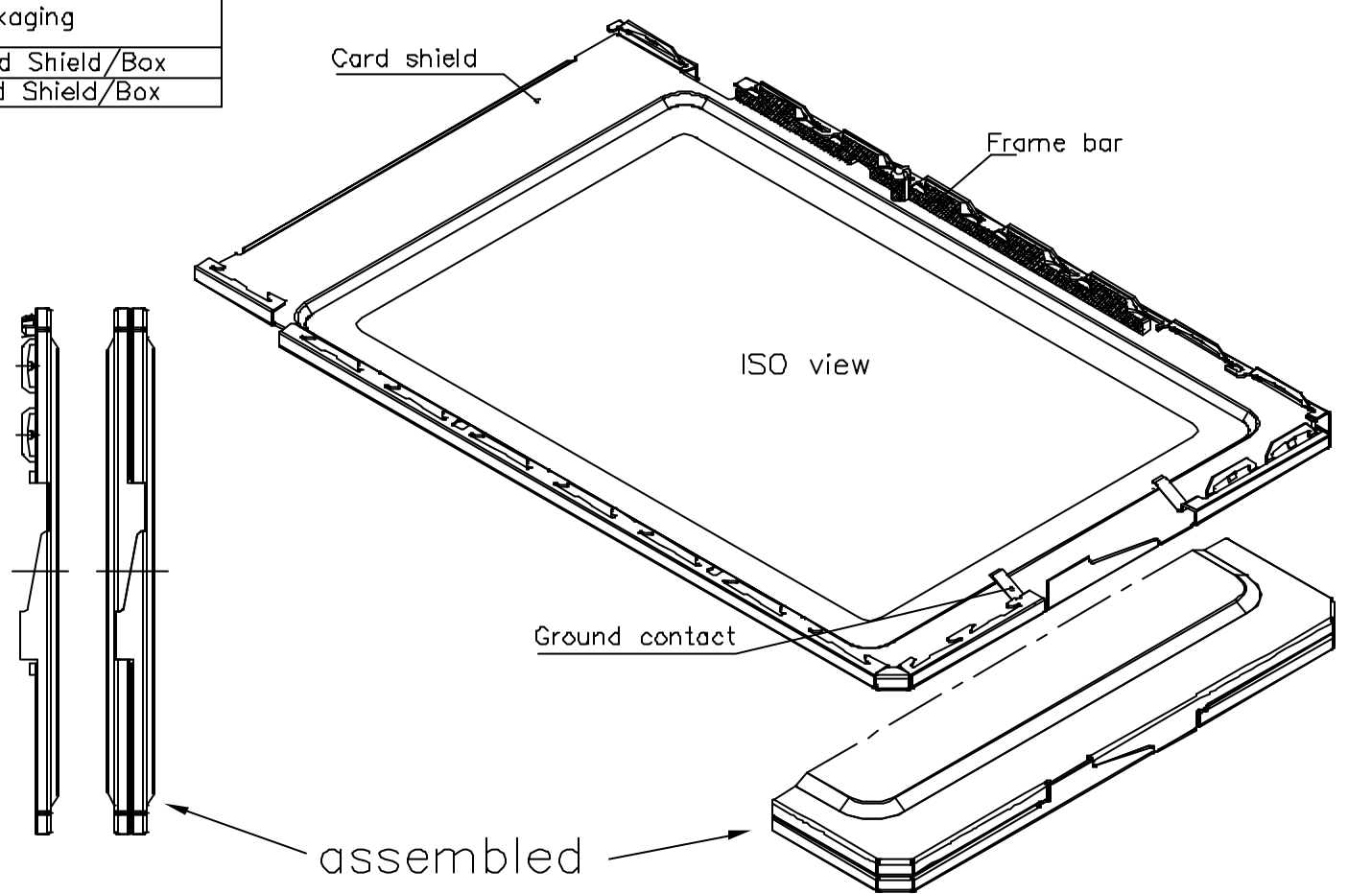
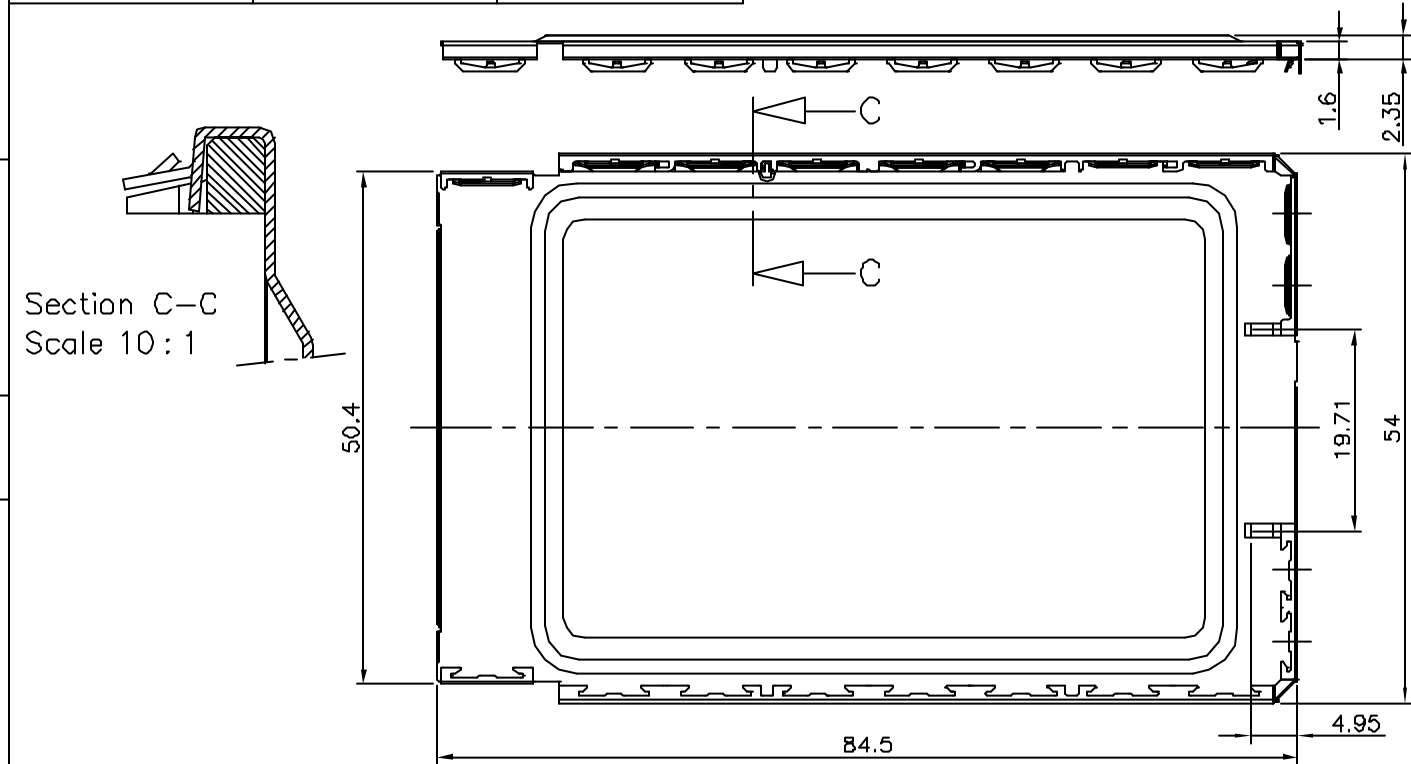


Version: Insulator
(thickness 0.07 mm)

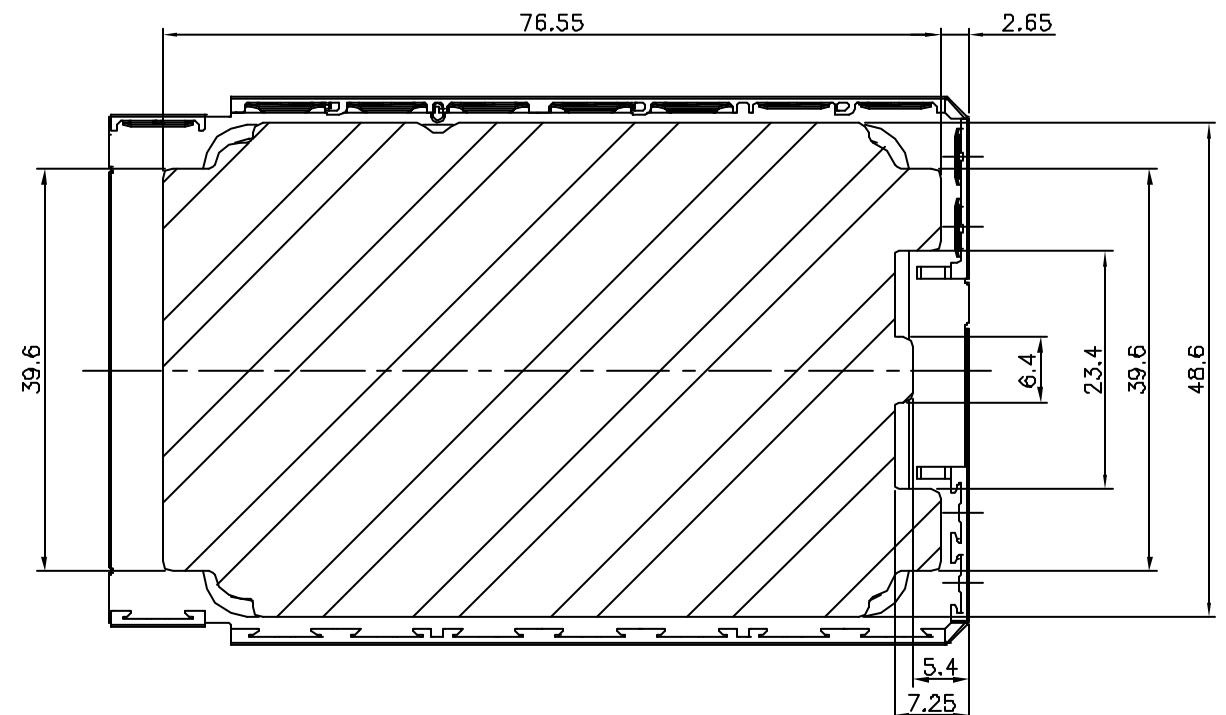
lfr	ecn	no	dr	date	surface	tolerance	projection	product family
A	H80049	GCA		98.02.12	ISO 1302	ISO 416 ISO 1101	mm	PCMCIA
B	F80195	GCA		98.04.08	tolerance unless otherwise specified		mm	title
C	F80323	DLE		99.05.04	angles	linear	scale 2:1	ROCARD SHIELD TYPE II, 2x1/0
D	F10514	DLE	01.08.07	dr	H VEREUKEN	98.02.12		sheet 3 of -
E	F05-0254	DLE	05.09.26	enfr	F HAUTIER	99.05.04		83808
F	F08-0138	DLE	06.02.27	chr	D LEGRAND	99.05.04		Az
G	F06-0248	DLE	06.07.28	app	F HAUTIER	99.05.04		type
sheet	revision							CUSTOMER Drawing
index	sheet							

Product number	Insulator	Label recess
83808-2000OLF	no	no
83808-2001OLF	yes	no
83808-2010OLF	no	yes
83808-2011OLF	yes	yes

Product number	Packaging
83808-xxxxxLF	1000 Rocard Shield/Box
83808-xxxxxSLF	200 Rocard Shield/Box



Version: Label recess
(maximum label thickness 0.07 mm)

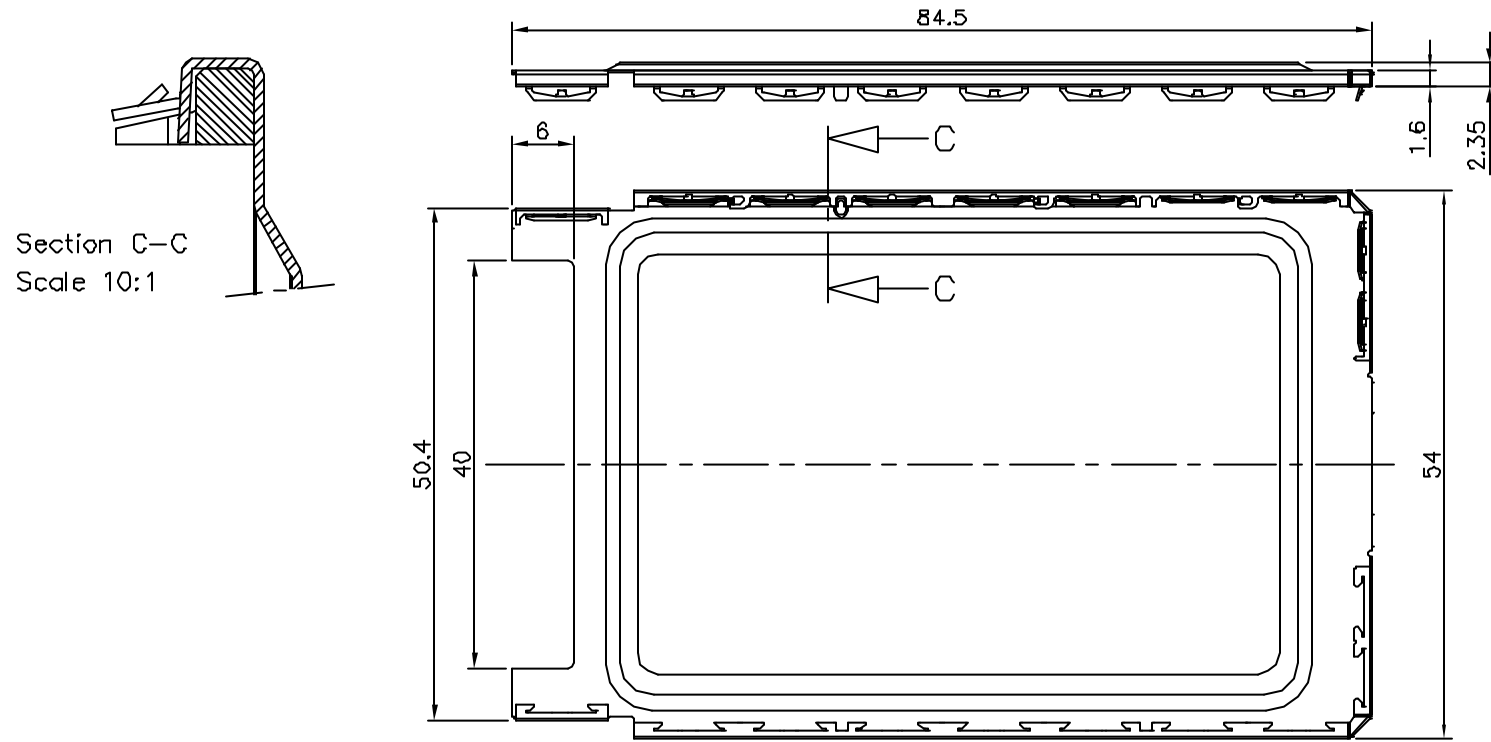


Version: Insulator
(thickness 0.07 mm)

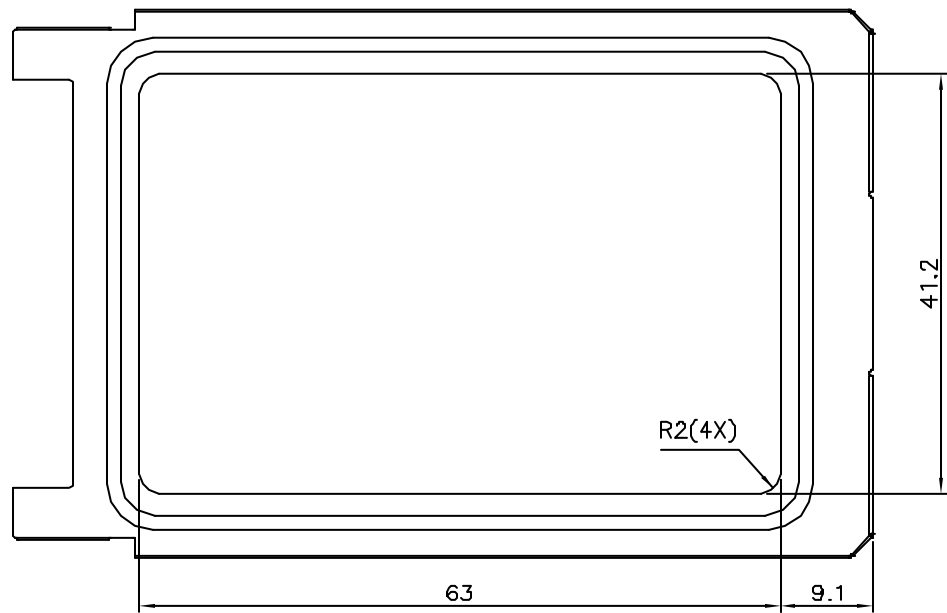
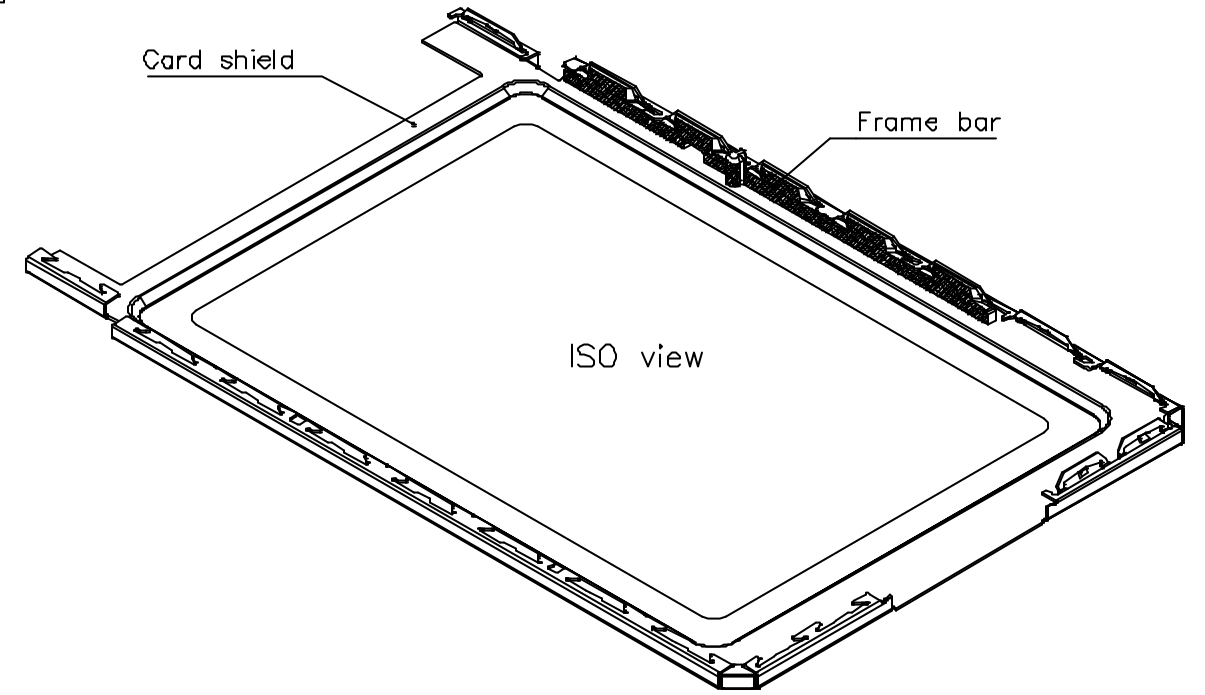
lfr	ecm	no	dr	date	surface	tolerance	projection	product family
A	H80049	GCA	98.02.12		ISO 1302	ISO 416 ISO 1101	mm	PCMCIA
B	F80195	GCA	98.04.08		tolerance unless otherwise specified			title
C	F80323	DLE	99.05.04		angles	linear	scale 2:1	ROCARD SHIELD TYPE II, CLOSED END
D	F10514	DLE	01.08.07	dr	H VEREUKEN	98.02.12		sheet 4 of -
E	F05-0254	DLE	05.09.26	enfr	F HAUTIER	99.05.04		83808
F	F08-0138	DLE	06.02.27	chr	D LEGRAND	99.05.04		Az
G	F06-0248	DLE	06.07.28	app	F HAUTIER	99.05.04		type
sheet	revision							CUSTOMER Drawing
index	sheet							

Product number	Insulator	Label recess
83808-21001LF	no	no
83808-21011LF	yes	no
83808-21101LF	no	yes
83808-21111LF	yes	yes

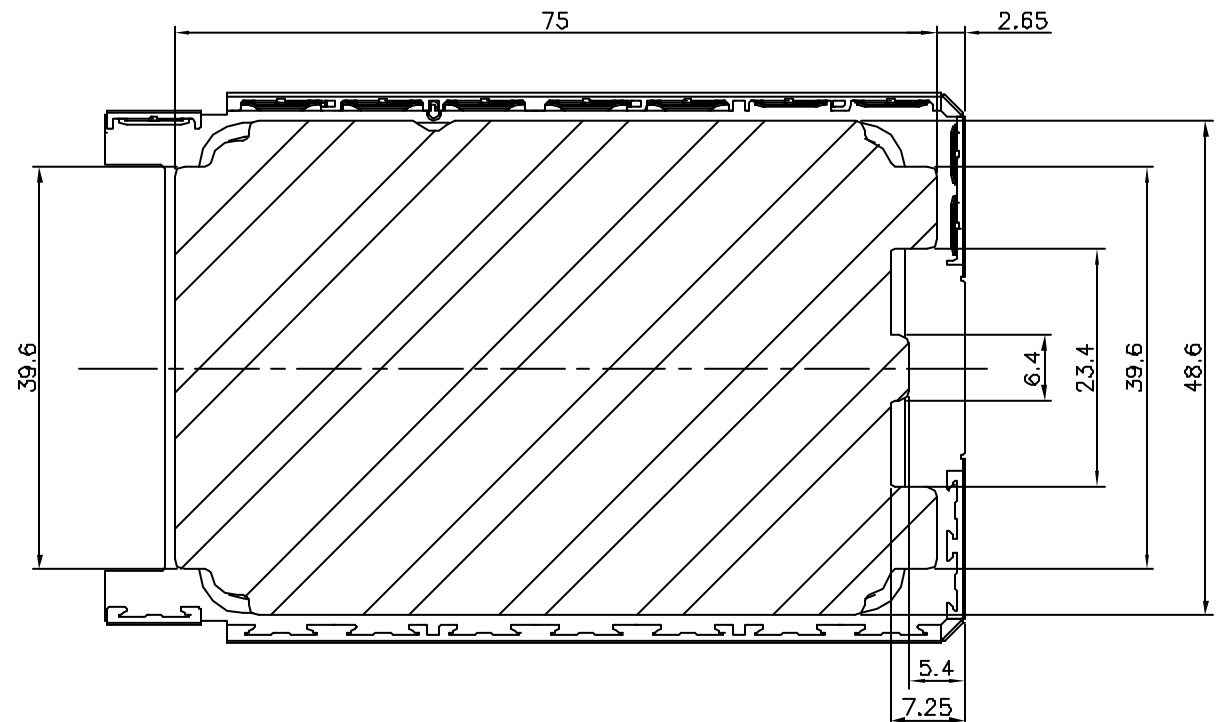
Product number	Packaging
83808-xxxxxLF	1000 Rocard Shield/Box
83808-xxxxxSLF	200 Rocard Shield/Box



Section C-C
Scale 10:1



Version: Label recess
(maximum label thickness 0.07 mm)

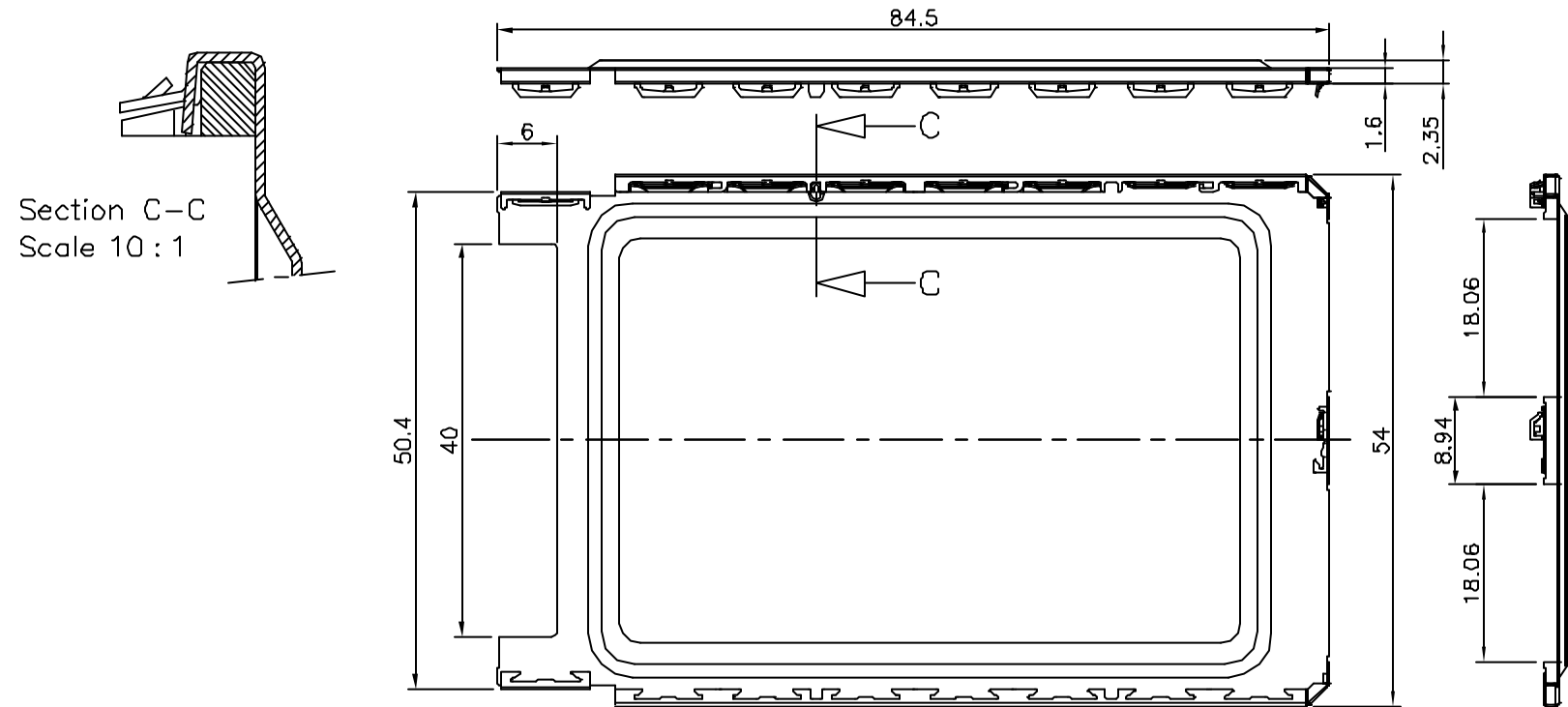


Version: Insulator
(thickness 0.07 mm)

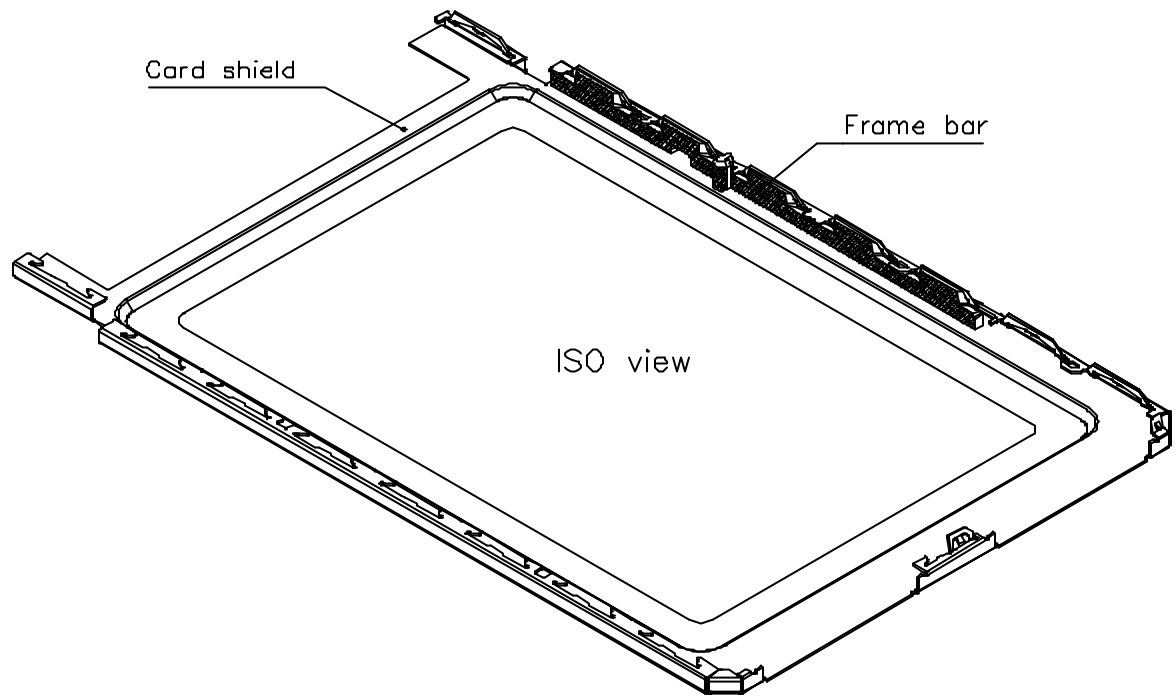
lfr	ecr	no	dr	date	surface	tolerance	projection	product family
A	H80048	GCA		98.02.12	ISO 1302	ISO 416 ISO 1101	mm	PCMCIA
B	F80195	GCA		98.04.08	tolerance unless otherwise specified		mm	title
C	F90323	DLE		99.05.04	angles	linear	scale 2:1	ROCARD SHIELD TYPEII, 1x1/0, CARDBUS
D	F10514	DLE	01.08.07	dr	H VEREUKEN	98.02.12		dwg no
E	F05-0254	DLE	05.09.26	enfr	F HAUTIER	99.05.04		sheet 5 of -
F	F08-0138	DLE	06.02.27	chr	D LEGRAND	99.05.04		83808
G	F06-0248	DLE	06.07.28	app	F HAUTIER	99.05.04		Az
sheet	revision							type
index	sheet							CUSTOMER Drawing

Product number	Insulator	Label recess
83808-22001LF	no	no
83808-22011LF	yes	no
83808-22101LF	no	yes
83808-22111LF	yes	yes

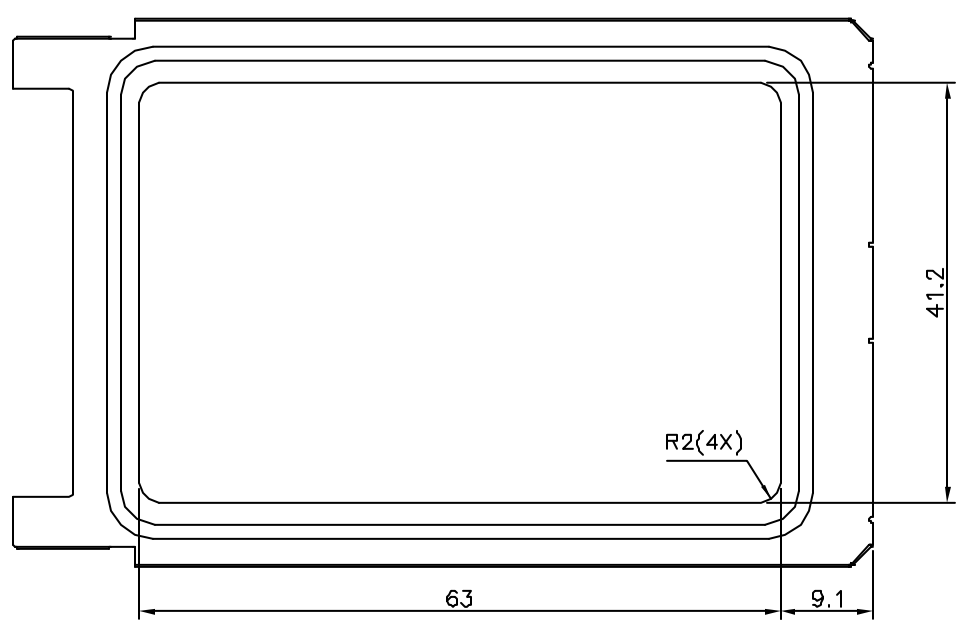
Product number	Packaging
83808-xxxxxLF	1000 Rocard Shield/Box
83808-xxxxxSLF	200 Rocard Shield/Box



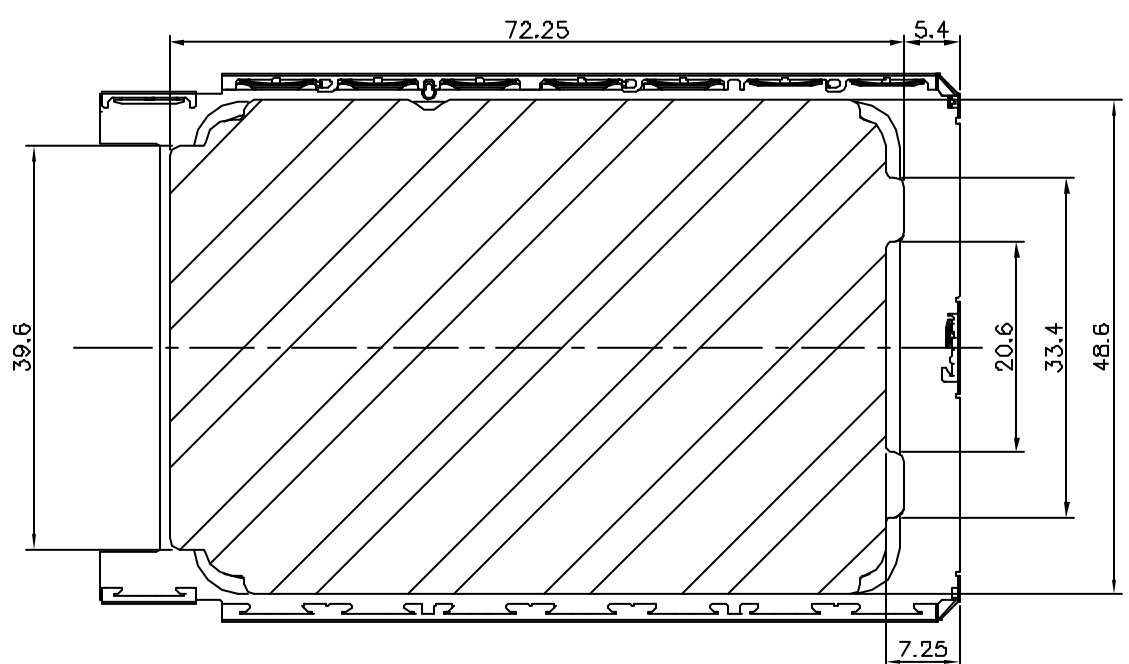
Section C-C
Scale 10:1



Copyright FCI



Version: Label recess
(maximum label thickness 0.07 mm)

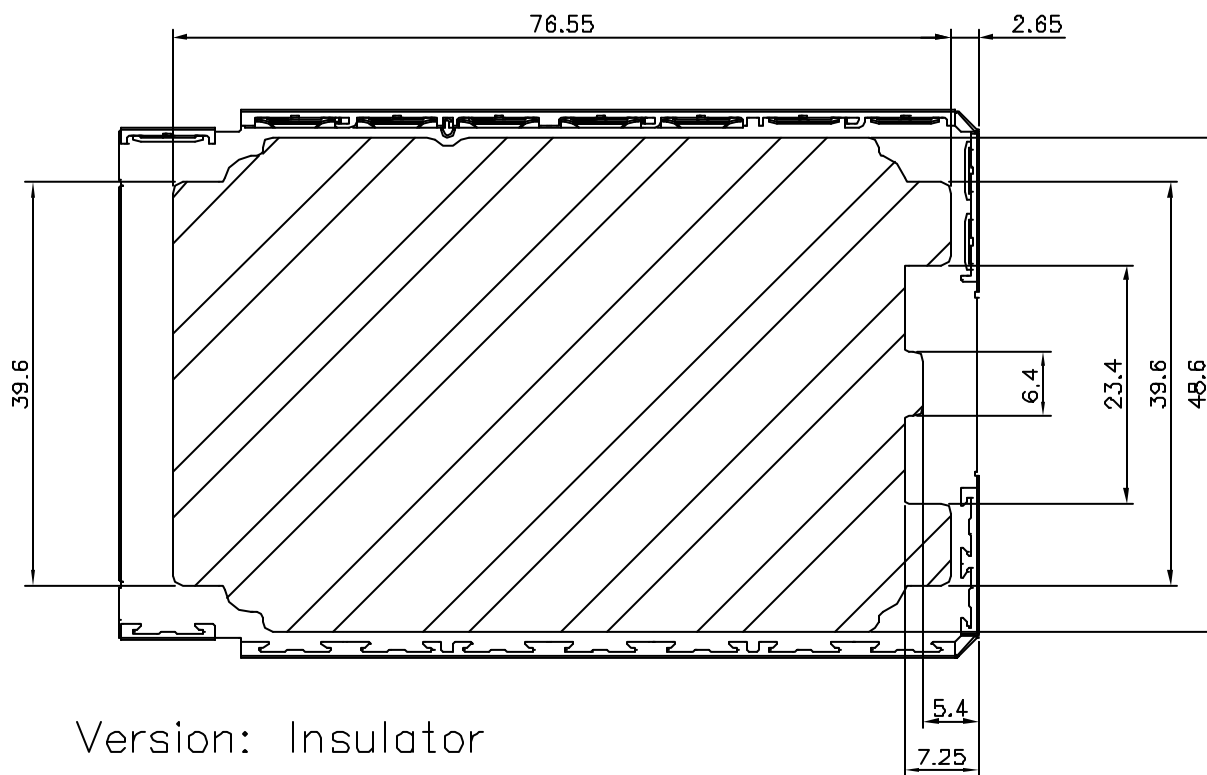
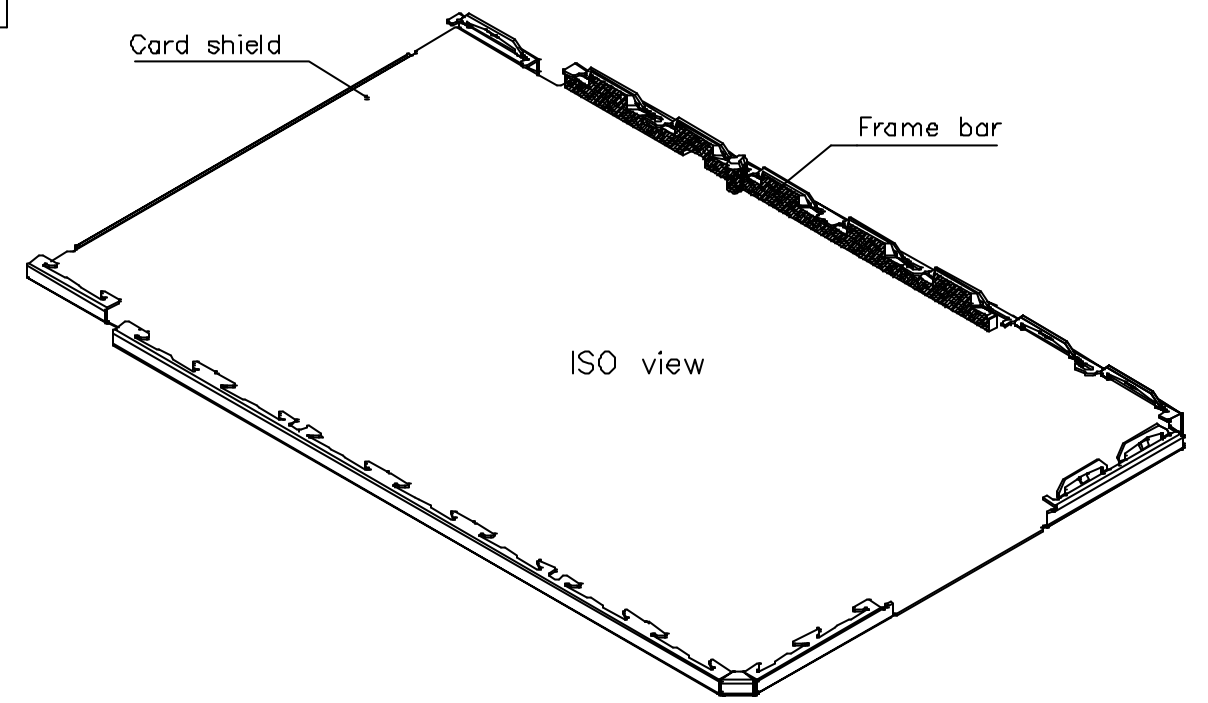
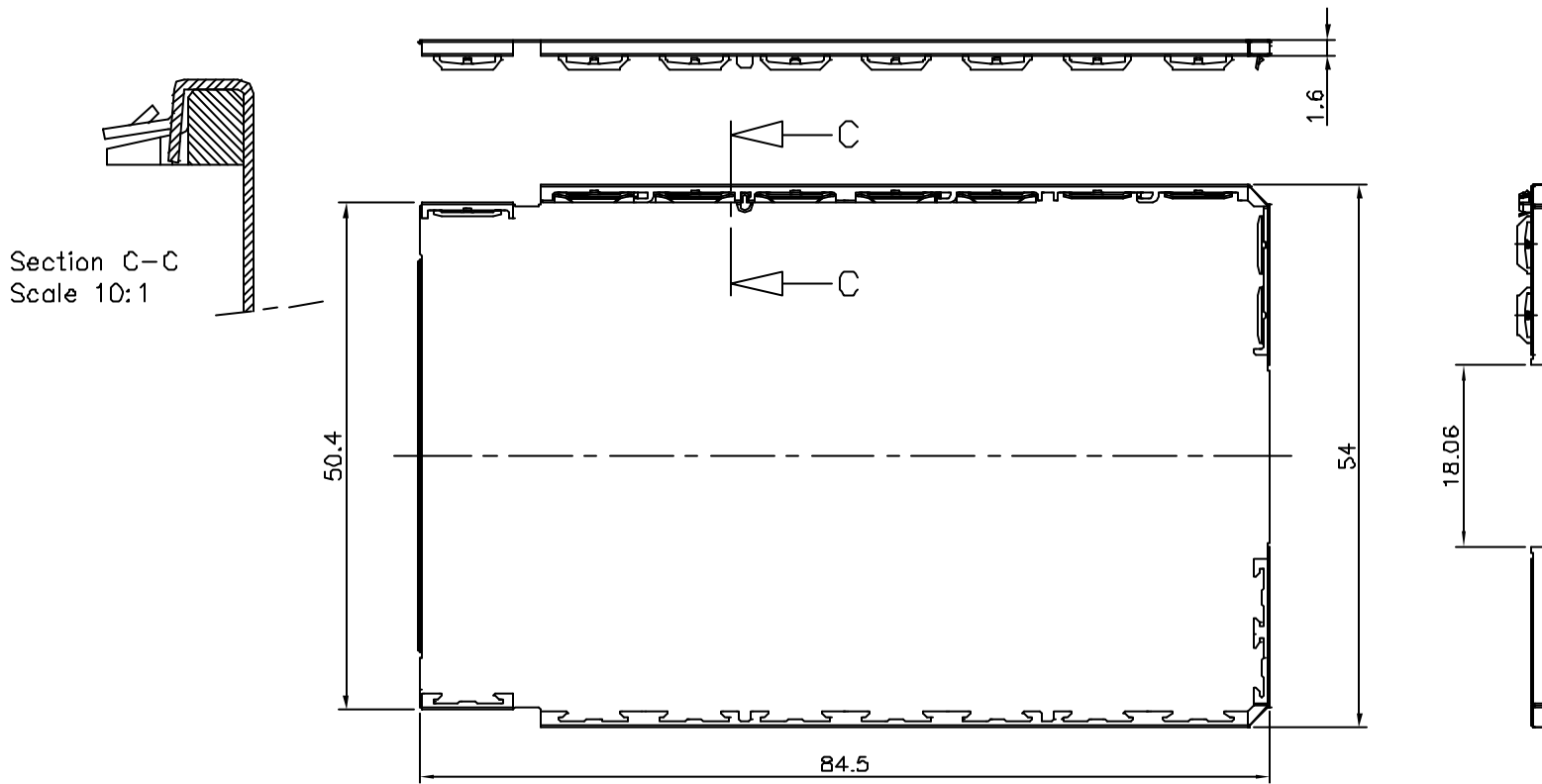


Version: Insulator
(thickness 0.07 mm)

lfr	ecr	no	dr	date	surface	tolerance	projection	product family
A	H80049	GCA		98.02.12	ISO 1302	ISO 416 ISO 1101	mm	PCMCIA
B	F80195	GCA		98.04.08	tolerance unless otherwise specified			title
C	F80323	DLE		99.05.04	angles	linear	scale 2:1	ROCARD SHIELD TYPE II, 2xI/O, CARBUS
D	F10514	DLE	01.08.07	dr	H VEREUKEN	98.02.12		dwg no
E	F05-0254	DLE	05.09.26	enfr	F HAUTIER	99.05.04		83808
F	F08-0138	DLE	06.02.27	chr	D LEGRAND	99.05.04		sheet B of -
G	F06-0248	DLE	06.07.28	app	F HAUTIER	99.05.04		Az
sheet	revision							type
index	sheet							CUSTOMER Drawing

Product number	Insulator
83808-11000LF	no
83808-11010LF	yes

Product number	Packaging
83808-xxxxxLF	1000 Rocard Shield/Box
83808-xxxxxSLF	200 Rocard Shield/Box

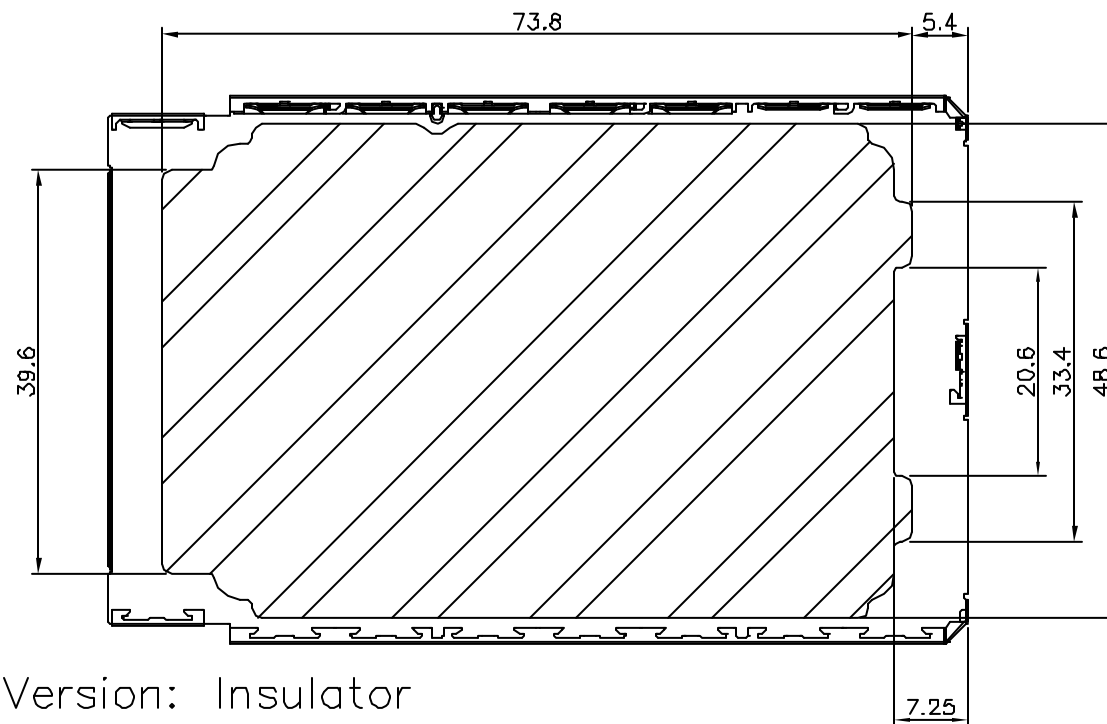
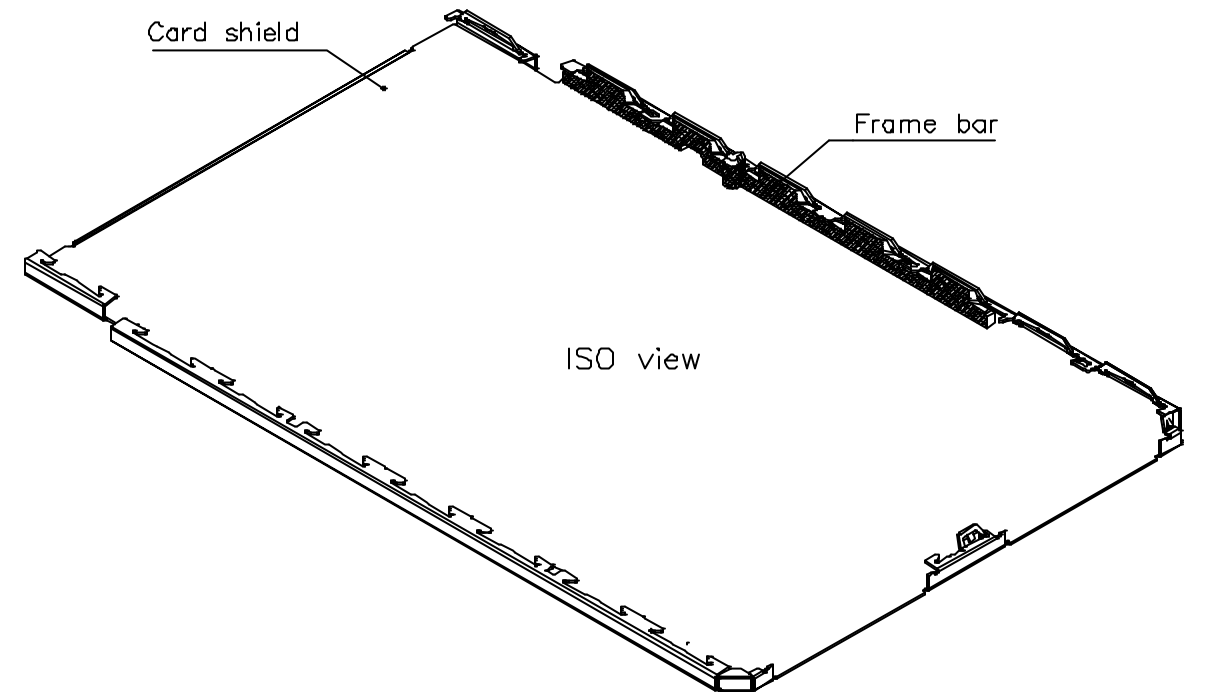
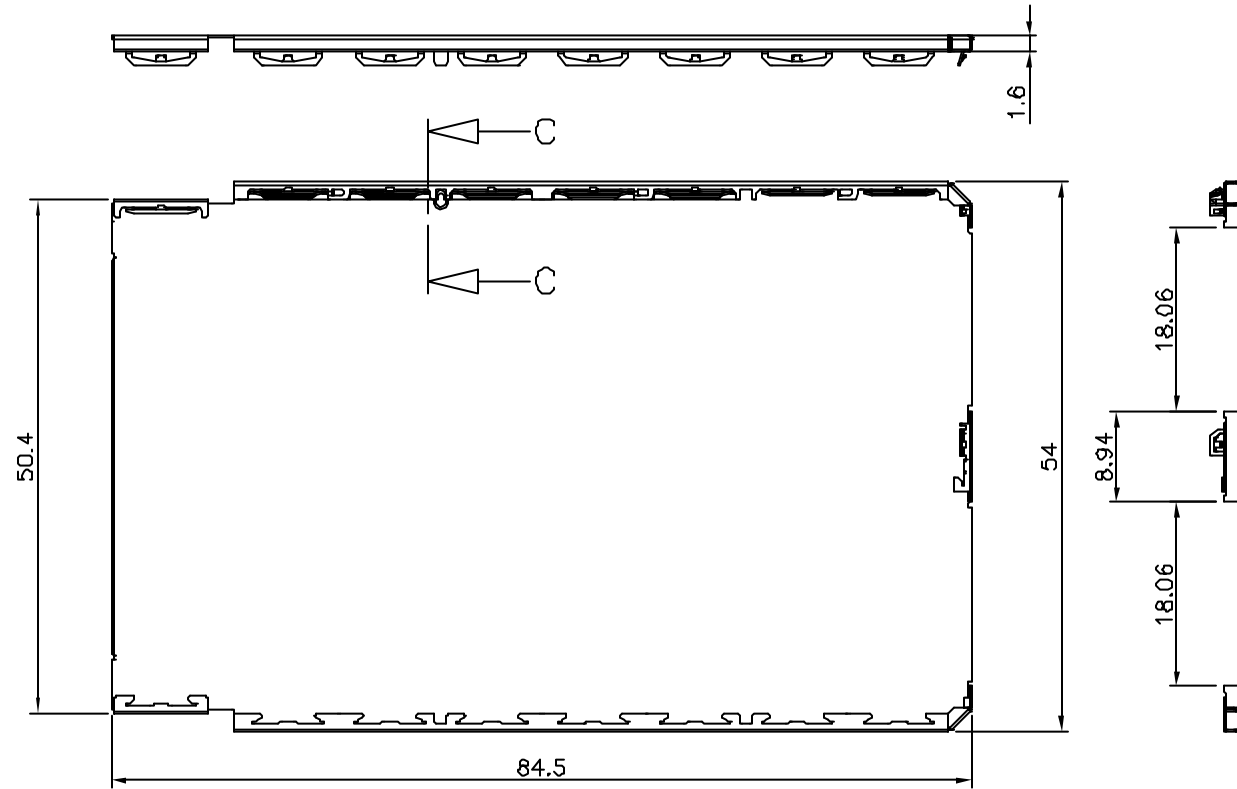
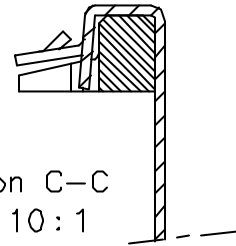


Version: Insulator
(thickness 0.07 mm)

lfr	ecr	no	dr	date	surface	tolerance	projection	product family
A	F80195	GCA	98.04.08		ISO 1302	ISO 416 ISO 1101	ISO 10	PCMCIA
B	F90323	DLE	99.05.04		tolerance unless otherwise specified		mm	title
C	F10514	DLE	01.09.07		angles linear		scale 2:1	ROCARD SHIELD TYPE I, 1x1/0
D	F05-0254	DLE	05.08.28	dr	H VEREUKEN	98.02.12		sheet 7 of -
E	F08-0138	DLE	06.02.27	enfr	F HAUTIER	99.05.04		size
F	F08-0248	DLE	06.07.28	chr	D LEGRAND	99.05.04		A2
				app	F HAUTIER	99.05.04		type
sheet index	revision sheet							CUSTOMER Drawing

Product number	Insulator
83808-12000LF	no
83808-12010LF	yes

Product number	Packaging
83808-xxxxxLF	1000 Rocard Shield/Box
83808-xxxxxLFS	200 Rocard Shield/Box

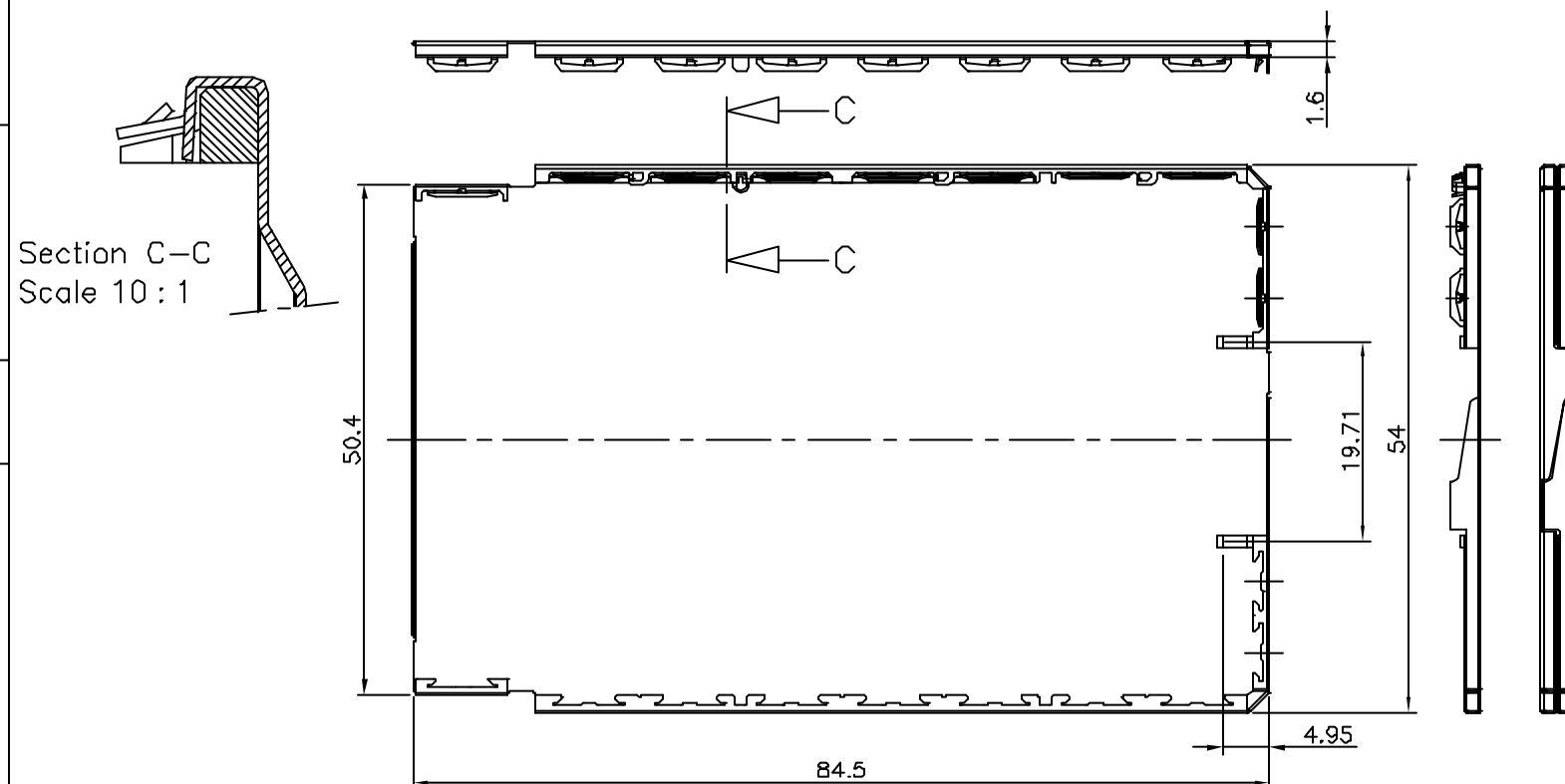


Version: Insulator
(thickness 0.07 mm)

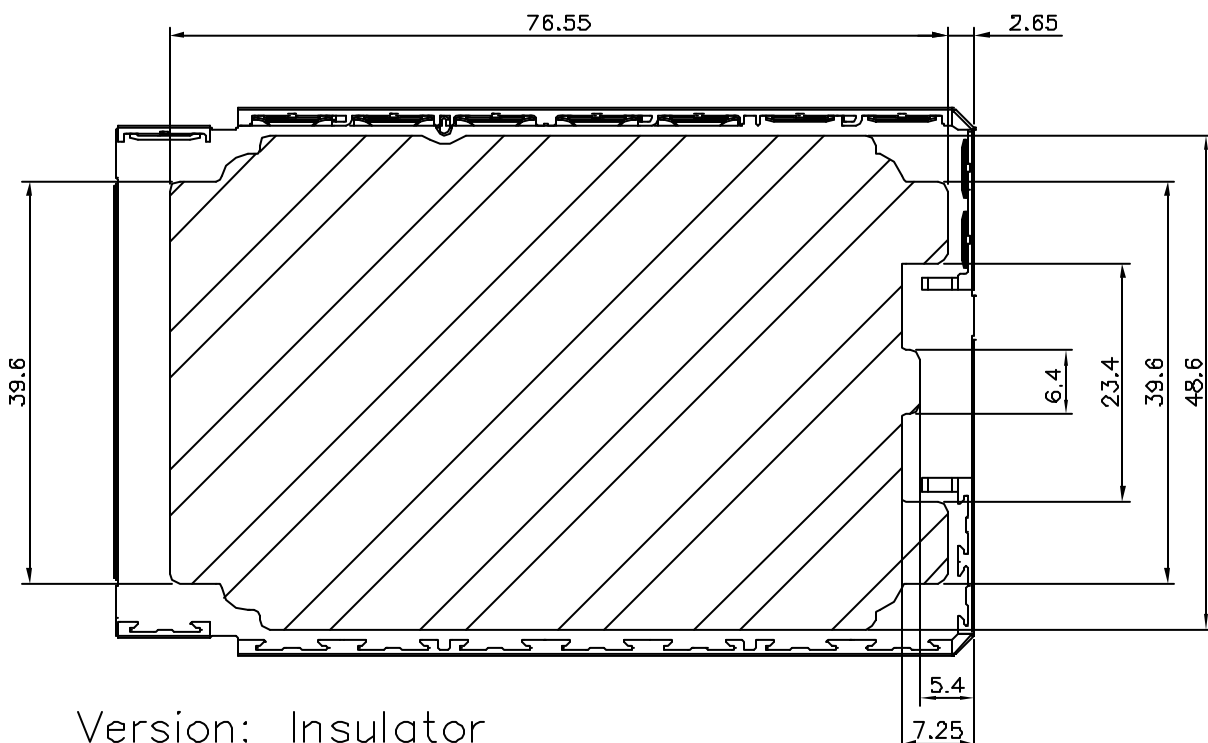
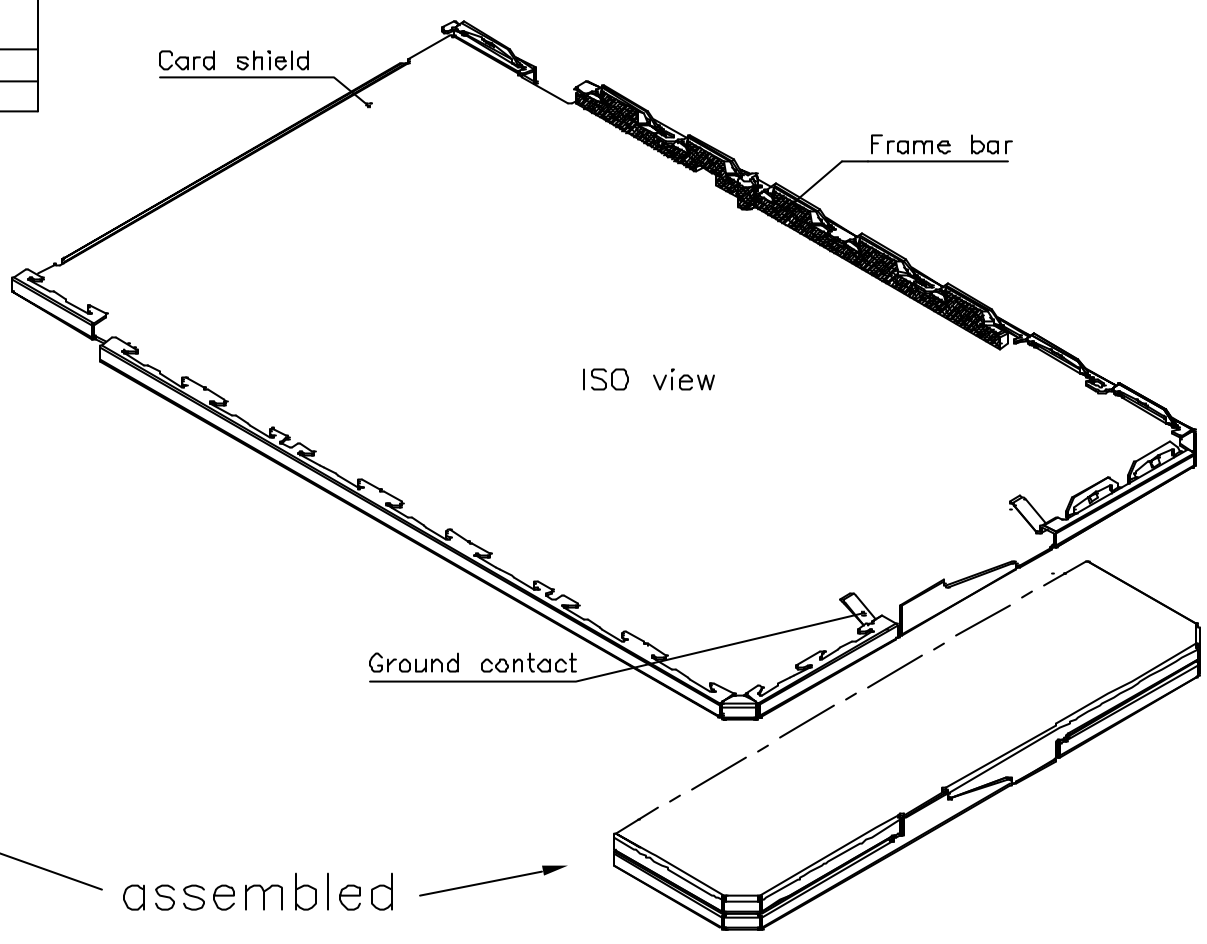
mat'l. code	surface	tolerance	projection	product family
	ISO 1302	ISO 416 ISO 1101		PCMCIA
lfr ecn no dr date	tolerances unless otherwise specified			title
A F80195 GCA 98.04.08	angles	linear	mm	ROCARD SHIELD
B F90323 DLE 99.05.04			scale 2:1	TYPE I, 2x1/0
C F10514 DLE 01.09.07				sheet 8 of - size
D F05-0254 DLE 05.08.28 dr H VEREUKEN 98.02.12				83808 Az
E F08-0138 DLE 06.02.27 engr F HAUTIER 99.05.04				type CUSTOMER Drawing
F F08-0248 DLE 06.07.28 chr D LEGRAND 99.05.04				
sheet index	revision sheet			

Product number	Insulator
83808-10000LF	no
83808-10010LF	yes

Product number	Packaging
83808-xxxxxLF	1000 Rocard Shield/Box
83808-xxxxxSLF	200 Rocard Shield/Box



Section C-C
Scale 10:1

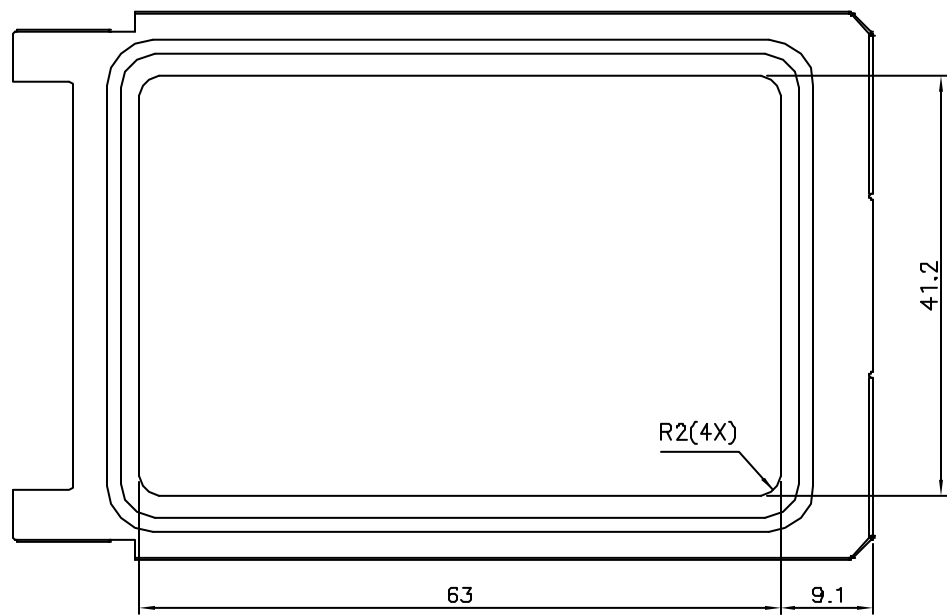
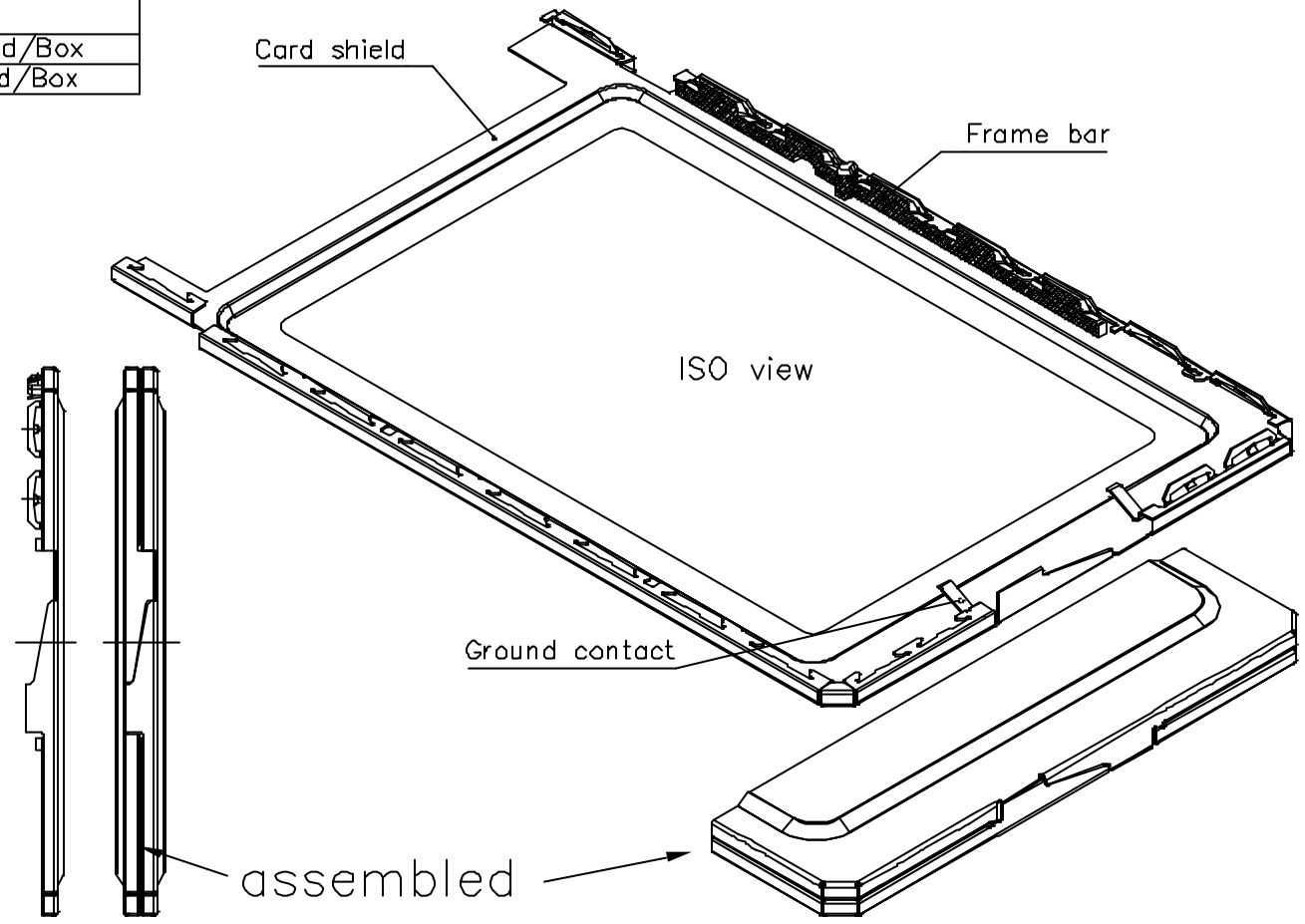
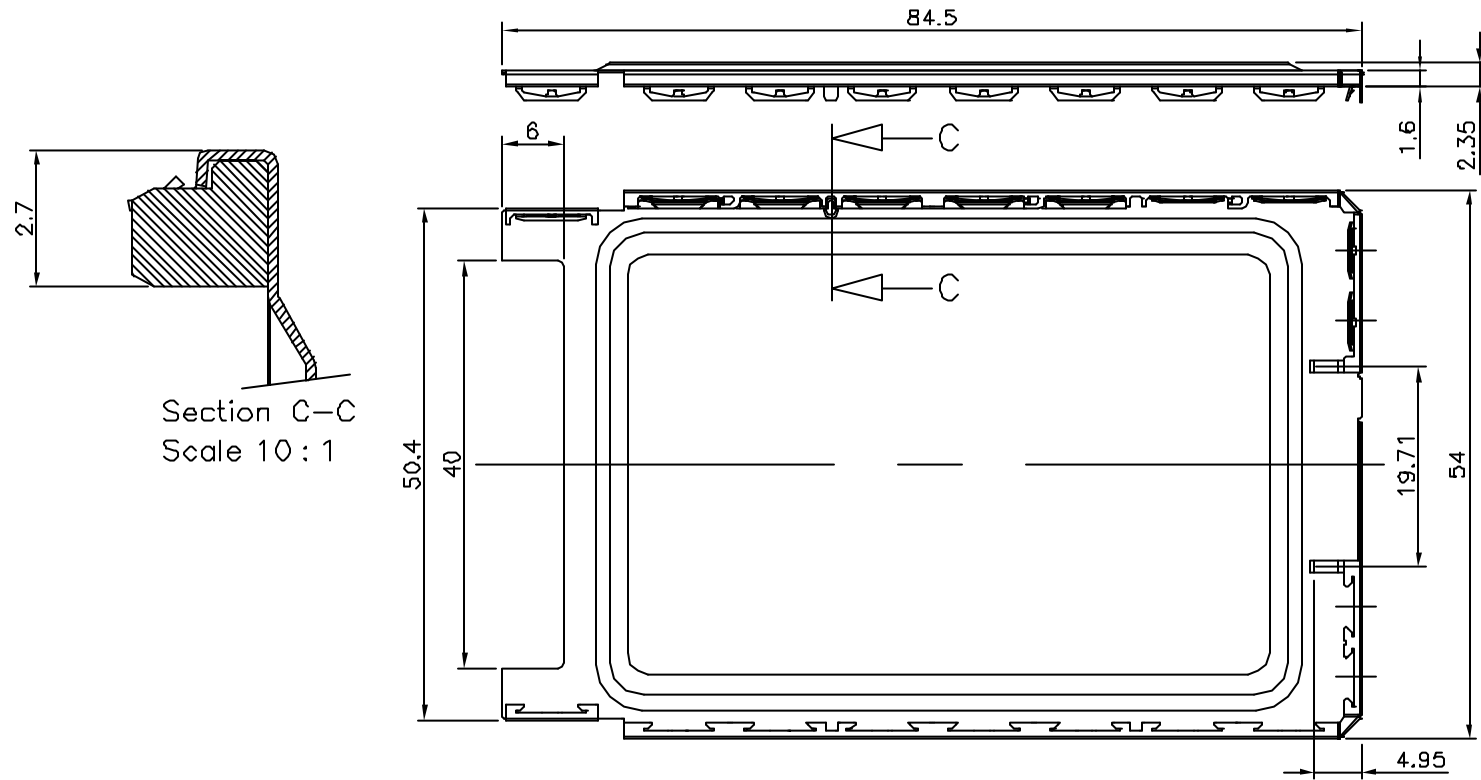


Version: Insulator
(thickness 0.07 mm)

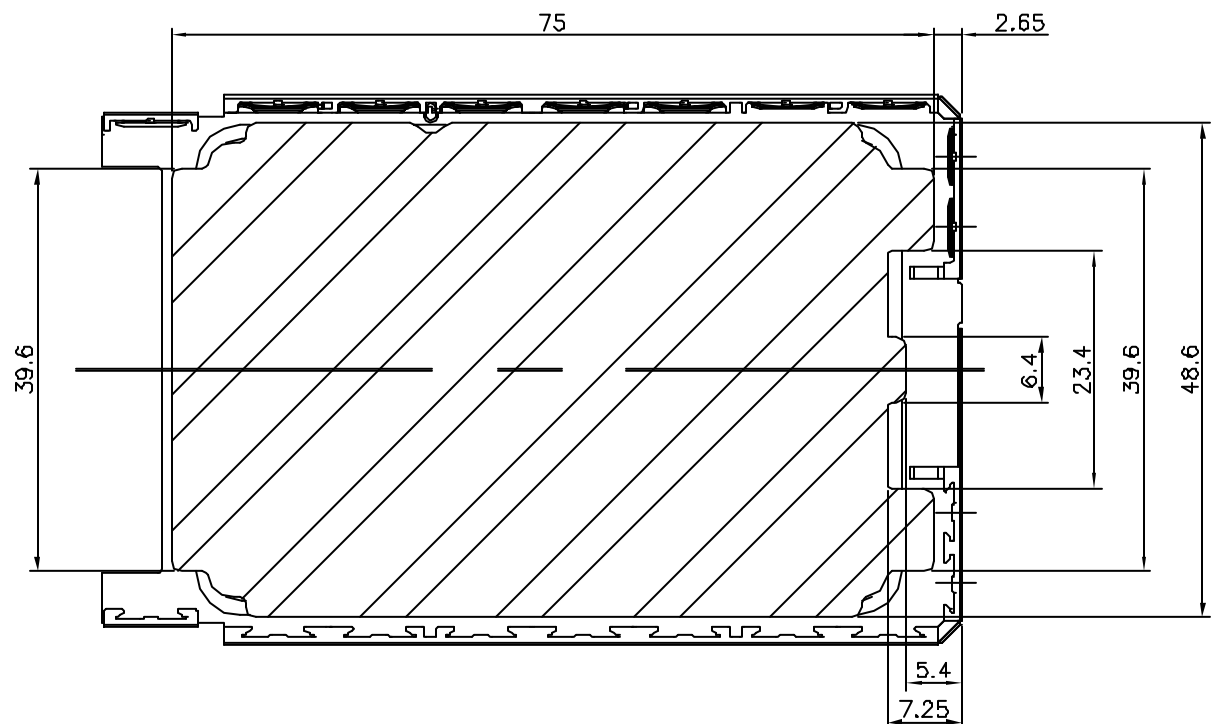
mat'l. code		surface		tolerance		projection		product family	
lfr	ecn no	dr	date	ISO 1302	ISO 416	ISO 1101	ISO 1101	PCMCIA	
A	F80195	GCA	98.04.08	tolerance unless otherwise specified		mm		title	
B	F90323	DLE	99.05.04	angles	linear	scale 2:1		ROCARD SHIELD	
C	F10514	DLE	01.09.07					TYPE I, CLOSED END	
D	F05-0254	DLE	05.08.28	dr	H VEREUKEN	98.02.12	dwg no		sheet 9 of -
E	F08-0138	DLE	06.02.27	enfr	F HAUTIER	99.05.04	83808		Az
F	F08-0248	DLE	06.07.28	chr	D LEGRAND	99.05.04	type		CUSTOMER Drawing
sheet index		revision sheet		appd		F HAUTIER		99.05.04	

Product number	Insulator	Label recess
83808-20001LF	no	no
83808-20011LF	yes	no
83808-20101LF	no	yes
83808-20111LF	yes	yes

Product number	Packaging
83808-xxxxxLF	1000 Rocard Shield/Box
83808-xxxxxSLF	200 Rocard Shield/Box



Version: Label recess
(maximum label thickness 0.07 mm)



Version: Insulator
(thickness 0.07 mm)

mat'l. code	surface	tolerance	projection	product family
lfr ecn no dr date	ISO 1302	ISO 416 ISO 1101	mm	PCMCIA
A F90655 DLE 99.10.25	tolerance unless otherwise specified		mm	title
B F00106 LMU 00.01.19	angles	linear	scale 2:1	ROCARD SHIELD
C F10514 DLE 01.09.07				TYPE II, CLOSED, CARDBUS
D F05-0254 BLE 05.08.28 dr D LEGRAND 99.10.25				sheet 10 of - size
E F08-0138 DLE 06.02.27 engr F HAUTIER 99.10.25				83808 A2
F F08-0248 DLE 06.07.28 chr AESCHBACHER 99.10.25				type CUSTOMER Drawing
sheet index	revision sheet			