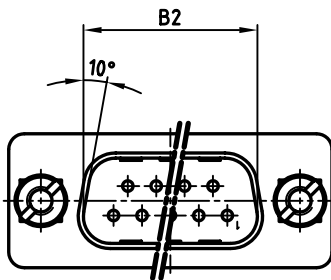
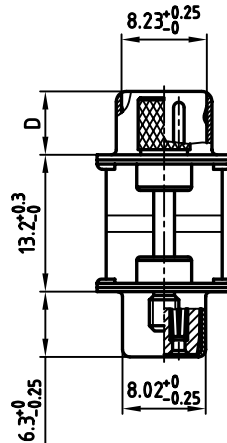
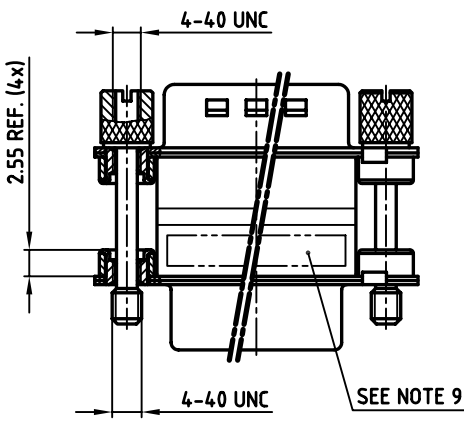
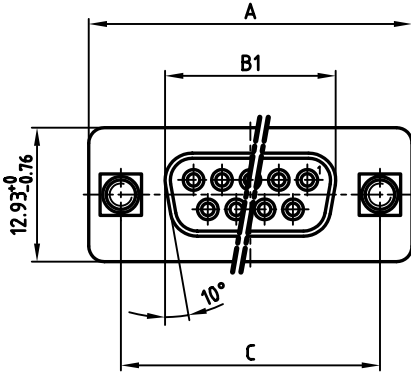


used for: FULL METAL  $\pi$ -FILTER

POS.	PART NO. SOCKET CONNECTOR / PLUG CONNECTOR 4-40 UNC			
	2 x 180pF±20%	2 x 370pF±20%	2 x 830pF±20%	2 x 1300pF±20%
9	MAP1XAAAR02R361X	MAP1XAAAR02R741X	MAP1XAAAR02R162X	MAP1XAAAR02R262X
15	MAP2XAAAR02R361X	MAP2XAAAR02R741X	MAP2XAAAR02R162X	MAP2XAAAR02R262X
25	MAP3XAAAR02R361X	MAP3XAAAR02R741X	MAP3XAAAR02R162X	MAP3XAAAR02R262X
37	MAP4XAAAR02R361X	MAP4XAAAR02R741X	MAP4XAAAR02R162X	MAP4XAAAR02R262X

POS.	A <sup>-0.76</sup>	B1 <sup>-0.25</sup>	B2 <sup>+0.25</sup>	C	D <sup>-0.3</sup>
9	31.19	16.46	16.79	25.00 <sup>+0.12</sup> <sub>-0.13</sub>	6.12
15	39.52	24.79	25.12	33.30 <sup>+0.15</sup> <sub>-0.1</sub>	6.12
25	53.42	38.50	38.84	47.04 <sup>+0.13</sup>	5.99
37	69.70	54.96	55.30	63.50 <sup>+0.13</sup>	5.99



**NOTES:**

- METALSHELLS: STEEL; min. 320 $\mu$ " TIN
- INSULATORS: PBT GF UL 94 V-0, BLACK
- CONTACTS: COPPER ALLOY  
PLATING: 8 $\mu$ " HARD GOLD OVER min. 50 $\mu$ " NICKEL
- THREADED INSERT: COPPER ALLOY; min. 200 $\mu$ " TIN over 80 $\mu$ " NICKEL
- COLLAR: COPPER ALLOY; min. 200 $\mu$ " TIN over 80 $\mu$ " NICKEL
- CAPACITANCE: SEE TABLE
- DIELECTRIC WITHSTANDING VOLTAGE: 300 VDC
- MAXIMUM TORQUE VALUE FOR THREAD: 6" LBS
- CONNECTOR IS PART MARKED: PART-NO. CONEC ABC

Directive 2002/95/EC  
RoHS  
Compliant

APPROVAL # FREIGABE # DEBLOCAGE # AUTORIZACION # APPROVAL

CUSTOMER APPROVAL DATE:

---

NAME: \_\_\_\_\_ TITLE: \_\_\_\_\_

---

COMPANY NAME: \_\_\_\_\_

APPROVAL # FREIGABE # DEBLOCAGE # AUTORIZACION # APPROVAL

THIS DRAWING MAY NOT BE COPIED OR REPRODUCED IN ANY WAY, AND MAY NOT BE PASSED ON TO A THIRD PARTY, WITHOUT WRITTEN PERMISSION. OWNERSHIP AND COPYRIGHT OF CONEC Gmbh DO NOT ALTER CAD DRAWING BY HAND

rev.	description	date	name

tolerance: scale: 2:1

material: SEE NOTES

title: **FULL METAL  $\pi$ -FILTER ADAPTER**  
PLUG / SOCKET 9-37pos.  
with jack screws - 4-40 UNC

dwg no: AutoCAD 2000 DIN-A  
24K1A357 3  
sh: 1/1

part no: SEE TABLE

