

4

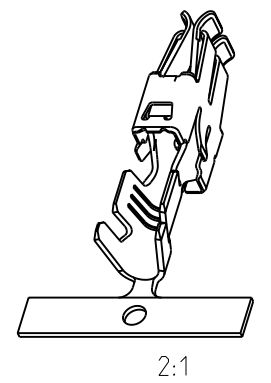
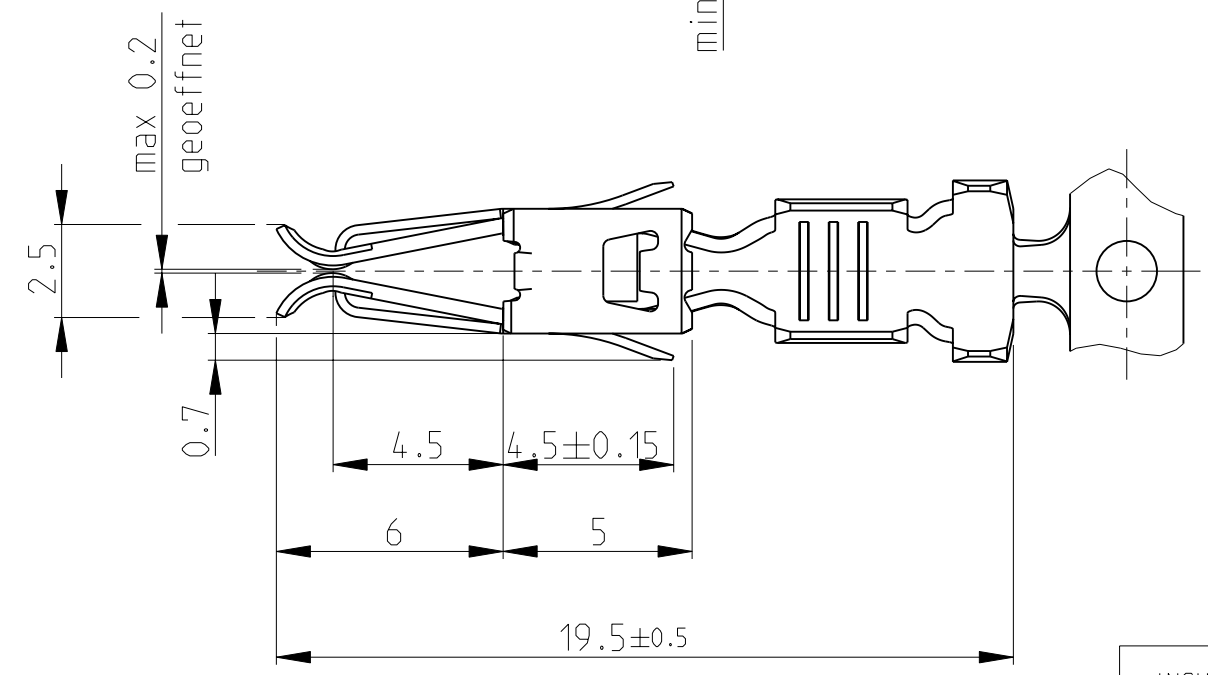
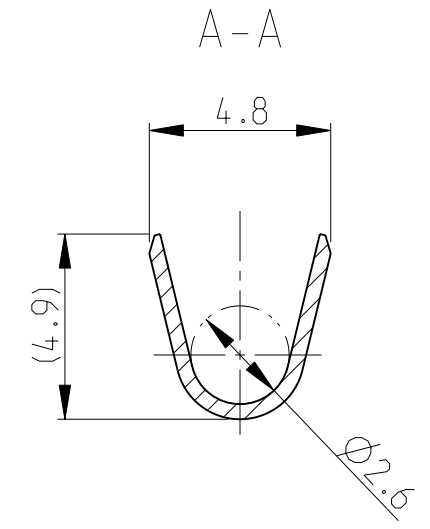
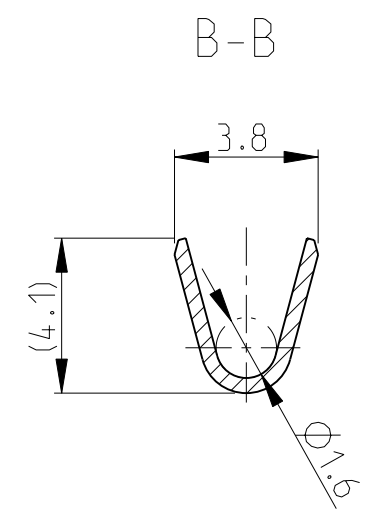
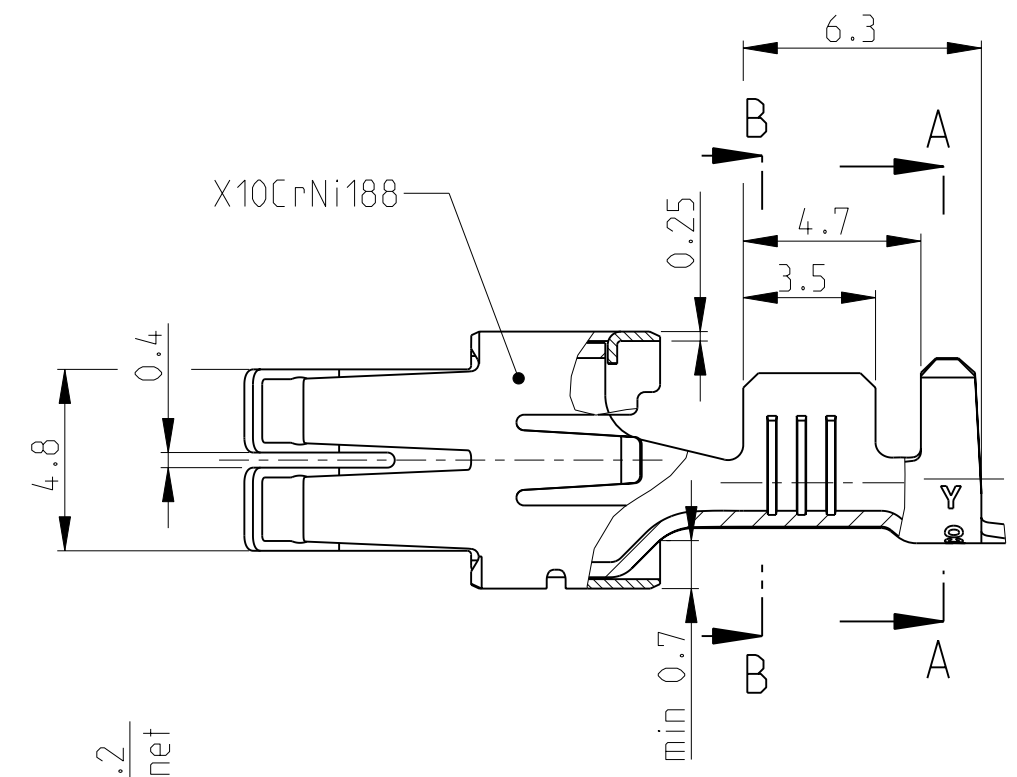
3

2

1

THIS DRAWING IS UNPUBLISHED. RELEASED FOR PUBLICATION
 © COPYRIGHT - ALL RIGHTS RESERVED.

LOC	DIST	REVISIONS				
P	LTR	DESCRIPTION	DATE	DWN	APVD	
		C2	REVISED PER ECO-11-005150	31MAR2011	RK	HMR



INSUL. RANGE $\varnothing 2.2-3.0$ mm	WIRE RANGE >1-2.5 mm ²
---	---

LP NO	FINISH	MATERIAL	PART NO.	REV
1241826-5	vorversilbert/PRESILVERED	CuFe2	964203-5	C
1241826-4	vorversilbert/PRESILVERED 1-1.5 μ m	CuSn4	964203-4	C
1241826-3	vorversilbert/PRESILVERED 3-4.5 μ m	CuSN4	964203-3	C
1241826-2	vorverzinkt/PRETINNED	CuSN4	964203-2	C
1241826-1	vorverzinkt/PRETINNED	CuFe2	964203-1	C

THIS DRAWING IS A CONTROLLED DOCUMENT.

DIMENSIONS: mm	TOLERANCES UNLESS OTHERWISE SPECIFIED: ± 0.2	DWN ATZMANN 06.01.94	TE Connectivity STANDARD POWER TIMER KONTAKT (Gerade Tulpe)
	0 PLC \pm 1 PLC \pm 2 PLC \pm 3 PLC \pm 4 PLC \pm ANGLES $\pm 1^\circ$	CHK BARTOSCH 18.01.94	
MATERIAL -	FINISH -	APVD Bleicher, M. 28.11.07	
		PRODUCT SPEC 108-18025 APPLICATION SPEC 114-18037	
		WEIGHT 0.82 g	NAME SIZE CAGE CODE DRAWING NO RESTRICTED TO
		CUSTOMER DRAWING	SCALE SHEET 1 OF 1 REV C2