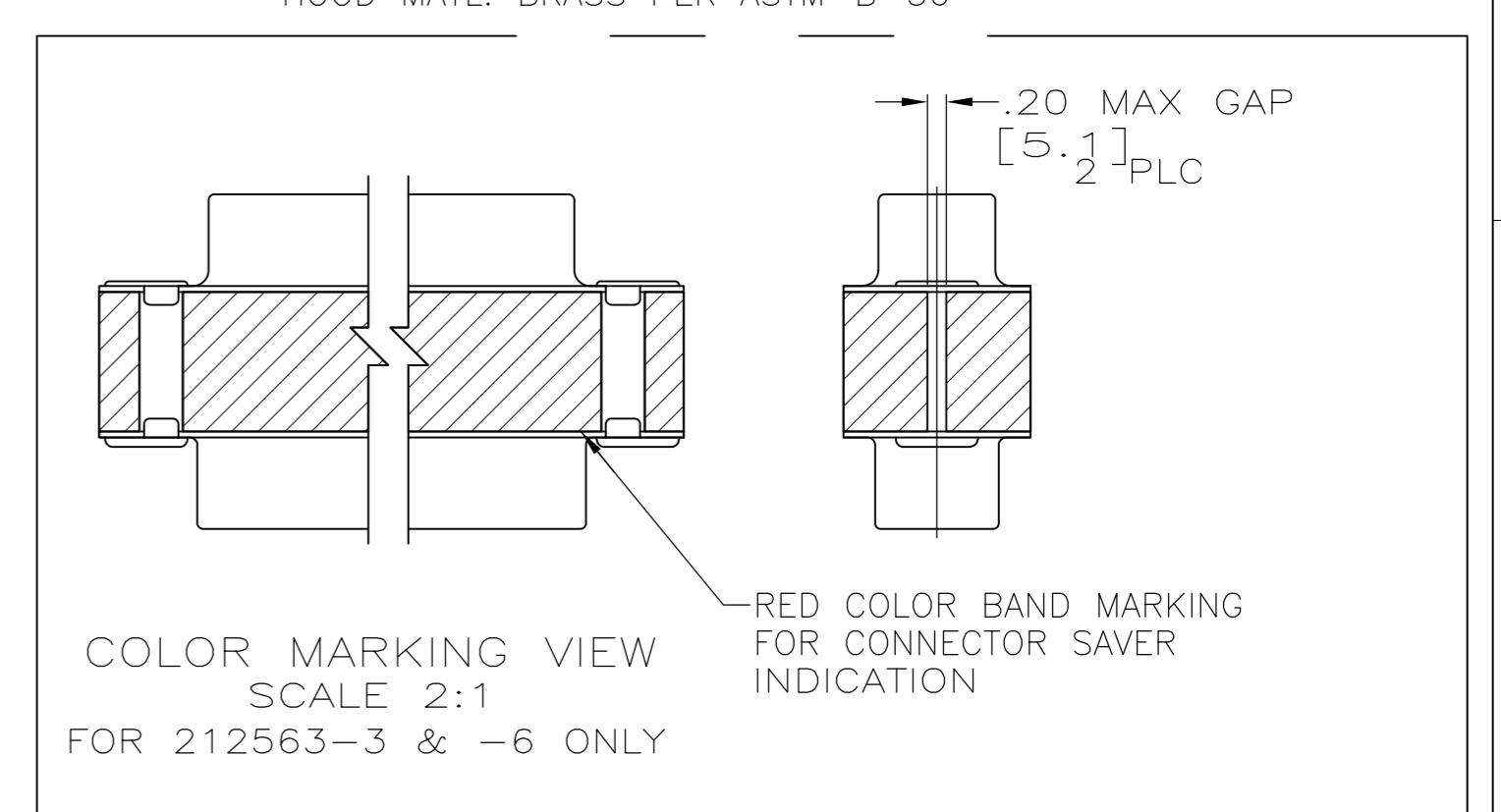
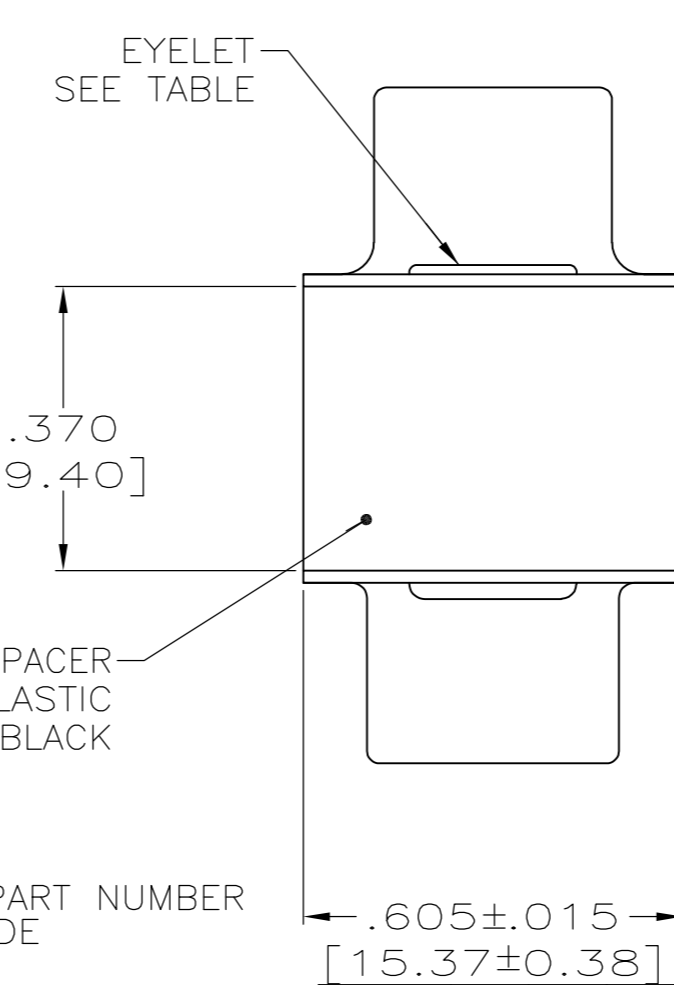
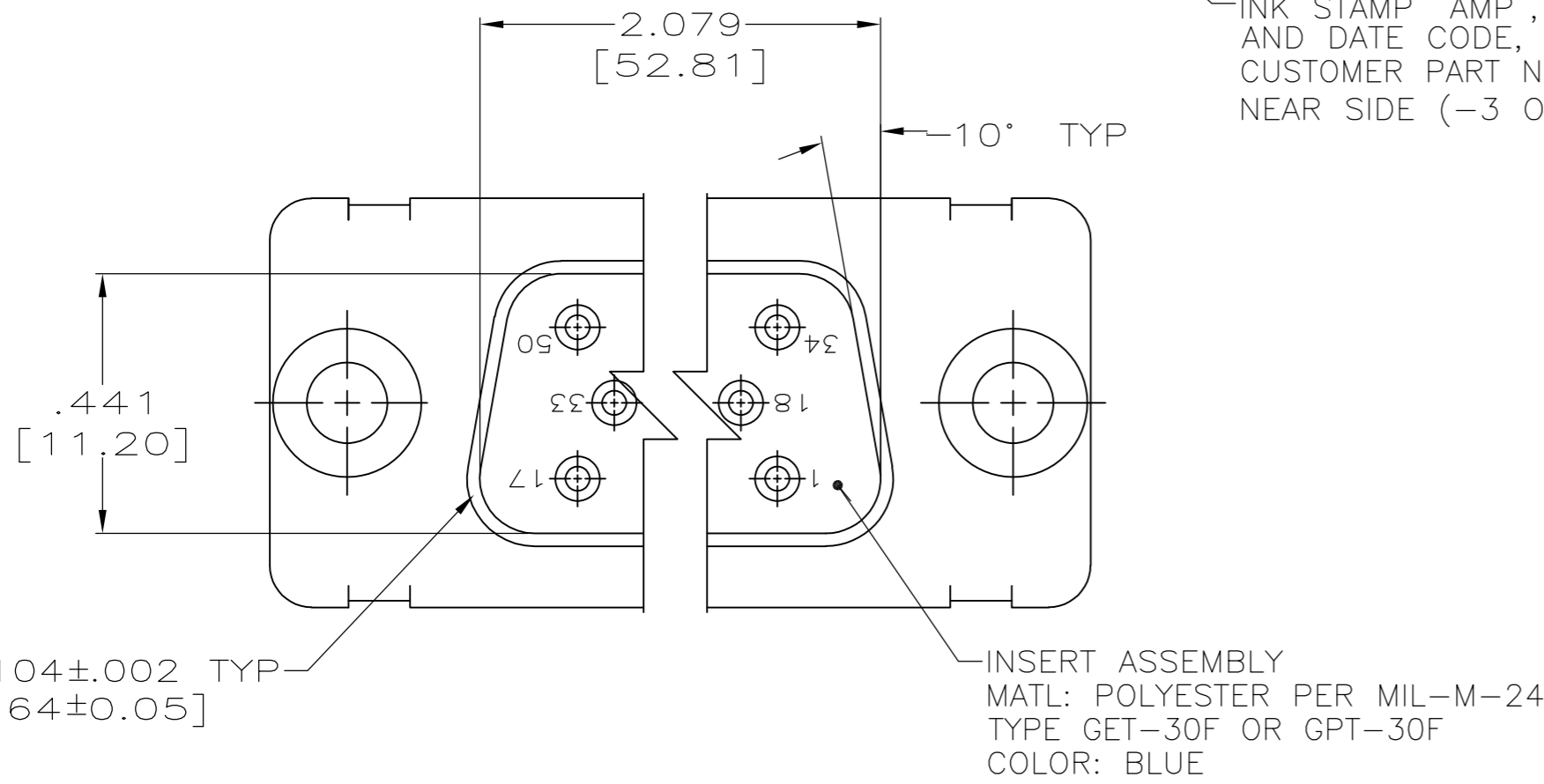
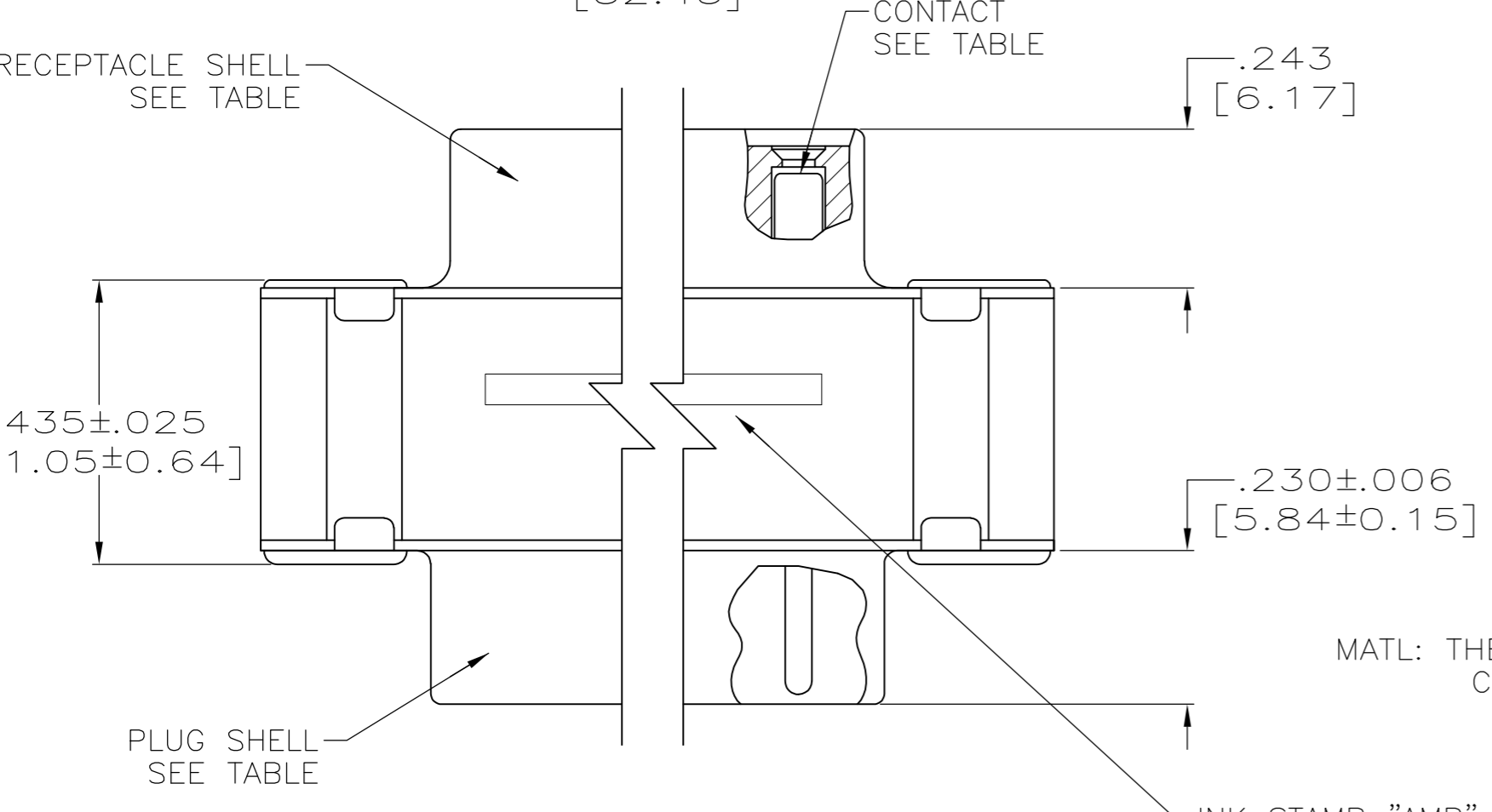
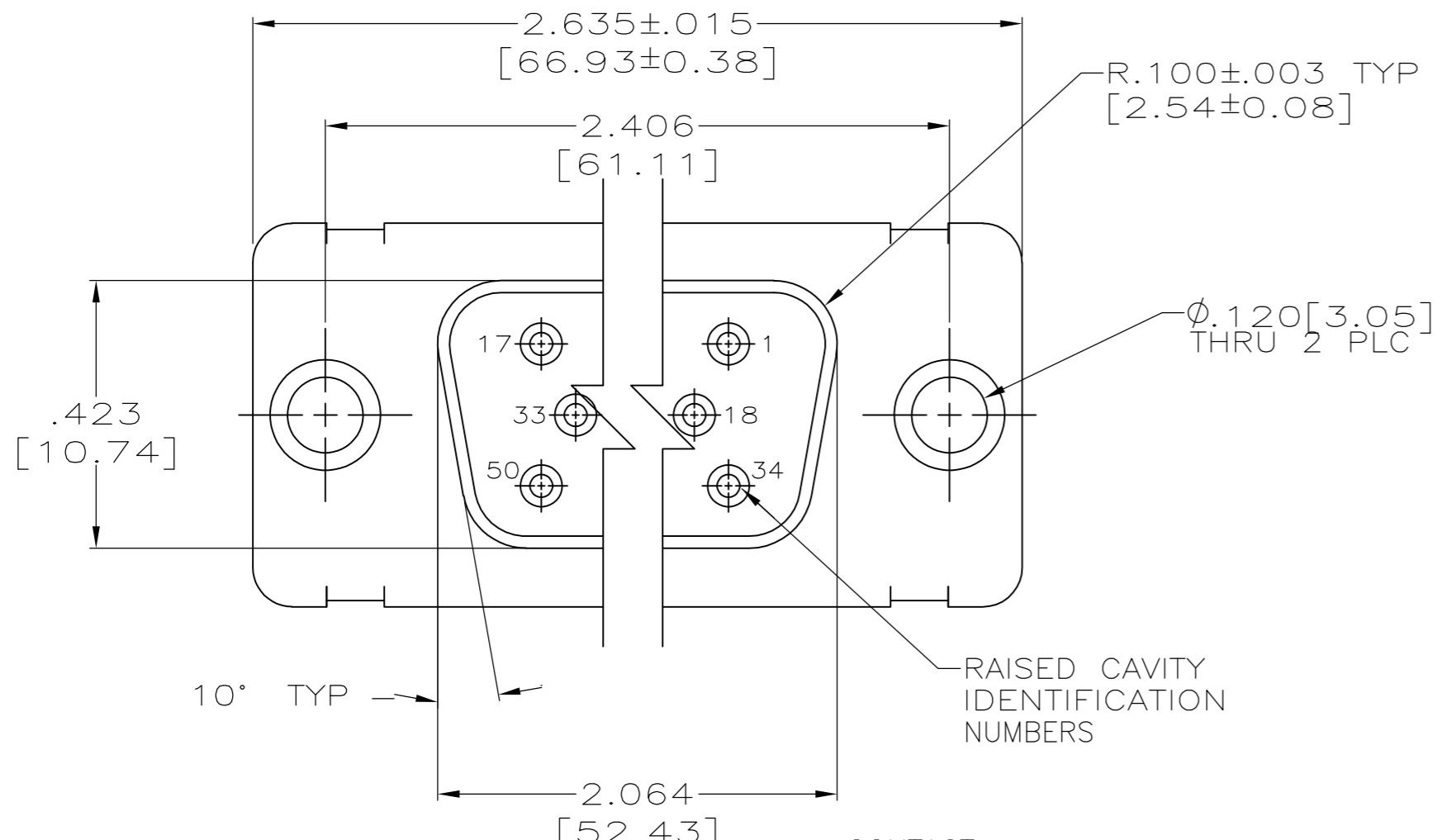


THIS DRAWING IS UNPUBLISHED. RELEASED FOR PUBLICATION  
 © COPYRIGHT - By - ALL RIGHTS RESERVED.

Loc		DIST		REVISIONS			
P	LTR	DESCRIPTION	DATE	DWN	APVD		
	S	REV PER ECO 13-001184	7-03	CT	RL		



1. CONTACTS INCLUDED IN ASSEMBLY.
- ② MATL: STEEL, PER ASTM-A-109.
- ③ FINISH: CADMIUM PER QQ-P-416.
- ④ CONTACT  
BODY MATL: BERYLLIUM COPPER PER ASTM-B-197.  
BODY FINISH: PLATED GOLD, .000050 MIN THK PER MIL-G-45204 OVER NICKEL, .000050 MIN THK PER QQ-N-290.
- HOOD MATL: STAINLESS STEEL PER ASTM-A-167.  
HOOD FINISH: PASSIVATED PER ASTM-A-380
- ⑤ FINISH: PLATED ZINC .00020 MIN THK PER ASTM-B-633.  
YELLOW CHROMATE FINISH.
- ⑥ MATL: BRASS PER ASTM-B-36.
- ⑦ FINISH: PLATED GOLD, .000050 MIN THK PER MIL-G-45204 OVER COPPER, .000100 MIN THK PER MIL-C-14550.
- ⑧ CONTACT  
BODY MATL: BERYLLIUM COPPER PER ASTM-B-197.  
BODY AND HOOD FINISH: PLATED GOLD, .000050 MIN THK PER MIL-G-45204 OVER COPPER, .000100 MIN THK PER MIL-C-14550.  
HOOD MATL: BRASS PER ASTM-B-36

⑥ ⑦	⑦ ⑥	④	4U884 SOCN R10002677-0105	212563-6
⑥ ⑦	⑦ ⑥	⑧	PT2-111-11	212563-5
⑥ ⑦	⑦ ⑥	⑧	-	212563-4
⑥ ⑦	⑦ ⑥	④	(1J02-105)	212563-3
⑥ ⑦	⑦ ⑥	⑧	-	212563-2
⑥ ⑤	② ③	④	-	212563-1
EYELET	SHELLS	CONTACT	CUSTOMER P/N	PART NO.

THIS DRAWING IS A CONTROLLED DOCUMENT.

DIMENSIONS: INCHES	TOLERANCES UNLESS OTHERWISE SPECIFIED:	DWN T. THOMPSON	TE Connectivity
	0 PLC ± -	CHK D. MANTIONE 11-07-94	CONNECTOR SAVER, AMPLIMITE 50 POSITION, SIZE 5, SERIES 109
	1 PLC ± -	APVD D. MANTIONE 11-07-94	SIZE A2 CAGE CODE 00779 DRAWING NO. C=212563
	2 PLC ± -	PRODUCT SPEC	RESTRICTED TO
	3 PLC ± .005 [0.13]	APPLICATION SPEC	
	4 PLC ± -	WEIGHT -	SHEET 1 OF 1
MATERIAL -	FINISH -	CUSTOMER DRAWING	SCALE 4:1 REV S