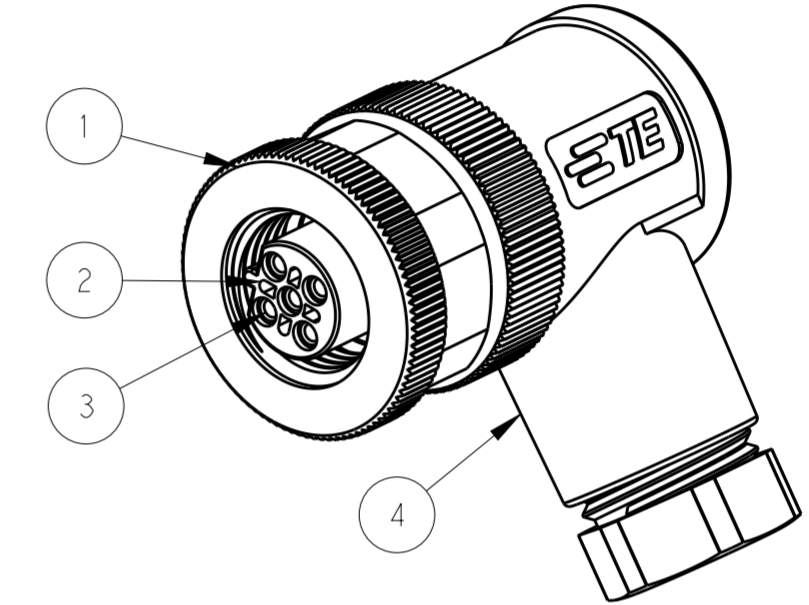
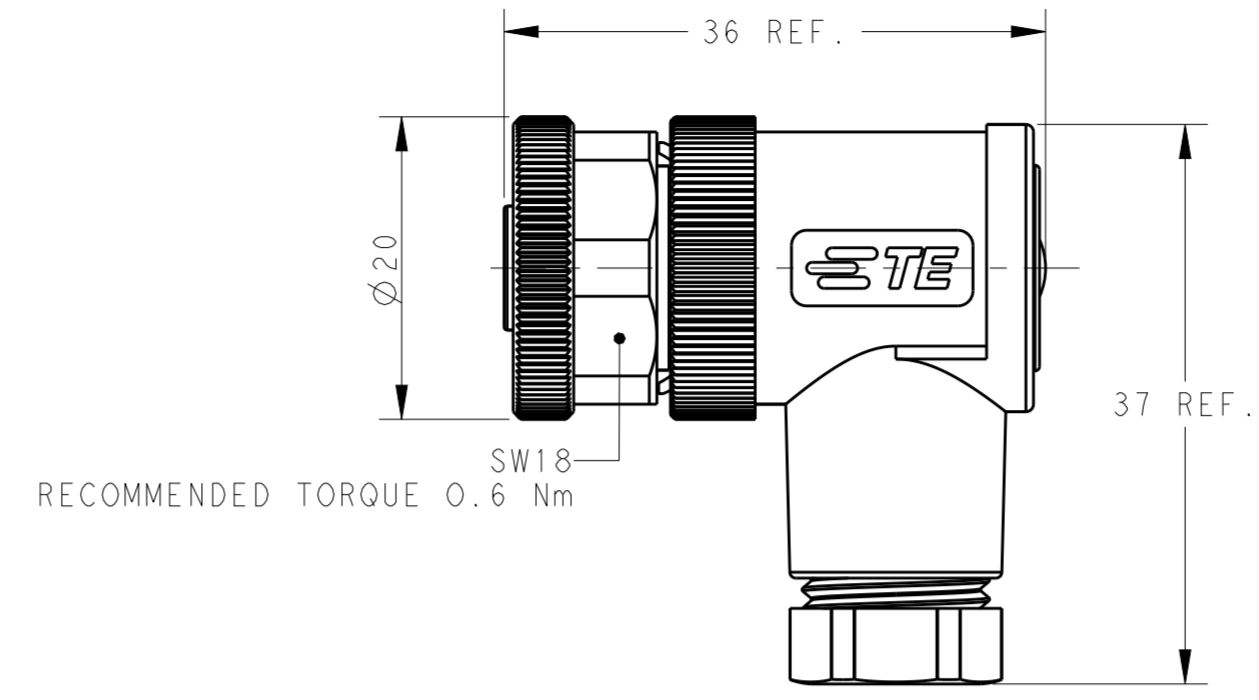
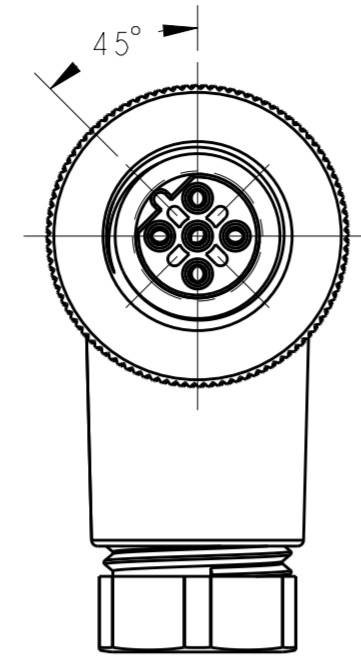


THIS DRAWING IS UNPUBLISHED. RELEASED FOR PUBLICATION 20
 © COPYRIGHT 20 BY - ALL RIGHTS RESERVED.

| REVISIONS | | | | |
|-----------|-----|-----------------------------|-----------|-------|
| P | LTR | DESCRIPTION | DATE | APVD |
| A | | INITIAL RELEASE | 27JUL2015 | NP XX |
| A1 | | ECR-15-018715 ADD 114 SPEC. | 29DEC2015 | NP XX |



| TECHNICAL DATA | T411240X02X-000 | T411240X03X-000 | T411240X04X-000 | T411240X05X-000 |
|-----------------------|-----------------|-----------------|-----------------|-----------------|
| RATED VOLTAGE | 250V | 250V | 250V | 60V |
| RATED CURRENT | 4A | 4A | 4A | 4A |
| POLLUTION DEGREE | 3 | 3 | 3 | 3 |
| OVERVOLTAGE CATEGORY | II | II | II | II |
| MATERIAL GROUP | II | II | II | II |
| CONTACT RESISTANCE | ≤8mΩ | ≤8mΩ | ≤8mΩ | ≤8mΩ |
| INSULATION RESISTANCE | >100MΩ | >100MΩ | >100MΩ | >100MΩ |
| DEGREE OF PROTECTION | IP67 | IP67 | IP67 | IP67 |
| OPERATION TEMPERATURE | -40~85°C | -40~85°C | -40~85°C | -40~85°C |

- NOTE:
- MATERIAL:
 - ITEM NO.1: NUT -BRASS
 - ITEM NO.2: HOUSING -PA
 - ITEM NO.3: CONTACT -BRONZE
 - ITEM NO.4: HOUSING BODY: -PBT+GF
 - CONTACT FINISH: GOLD OVER NICKEL OR SILVER OVER NICKEL
 - CABLE WIRES: 18AWG/0.75mm² Max. FOR 2-5 PINS
 - ALL DIMENSIONS ARE FOR NOMINAL REFERENCE ONLY UNLESS OTHERWISE STATED
 - PACKAGING: 1PIECE IN A BAG
 - PN INFORMATION

| PIN ARRANGEMENT B-CODE | | |
|------------------------|-----------------|-----------------|
| T411240X02X-000 | T411240X03X-000 | T411240X04X-000 |
| | | |
| T411240X05X-000 | | |
| | | |

| | |
|-----------------|-------------------------|
| T4112402051-000 | RPC-M12B-FR-5CON-PG9-MU |
| T4112401051-000 | RPC-M12B-FR-5CON-PG7-MU |
| T4112402052-000 | RPC-M12B-FR-5CON-PG9-M |
| T4112401052-000 | RPC-M12B-FR-5CON-PG7-M |
| T4112402041-000 | RPC-M12B-FR-4CON-PG9-MU |
| T4112401041-000 | RPC-M12B-FR-4CON-PG7-MU |
| T4112402042-000 | RPC-M12B-FR-4CON-PG9-M |
| T4112401042-000 | RPC-M12B-FR-4CON-PG7-M |
| T4112402031-000 | RPC-M12B-FR-3CON-PG9-MU |
| T4112401031-000 | RPC-M12B-FR-3CON-PG7-MU |
| T4112402032-000 | RPC-M12B-FR-3CON-PG9-M |
| T4112401032-000 | RPC-M12B-FR-3CON-PG7-M |
| T4112402021-000 | RPC-M12B-FR-2CON-PG9-MU |
| T4112401021-000 | RPC-M12B-FR-2CON-PG7-MU |
| T4112402022-000 | RPC-M12B-FR-2CON-PG9-M |
| T4112401022-000 | RPC-M12B-FR-2CON-PG7-M |
| TE PN | TYPE |

T411240XXXX-000

CONTACT FINISH:
 1: GOLD OVER NICKEL
 2: SILVER OVER NICKEL

NUMBERS OF PINS:
 02: 2 PINS
 03: 3 PINS
 04: 4 PINS
 05: 5 PINS
 08: 8 PINS

CABLE OUTLET:
 1: PG7(CABLE FEED: 4-6mm)
 2: PG9(CABLE FEED: 6-8mm)

BRAND:
 T: W/ TE LOGO
 N: W/O LOGO

| | | | | |
|--|--|--|---|------------------------------|
| THIS DRAWING IS A CONTROLLED DOCUMENT. | | DWN HAO WANG 08JAN2015 | TE Connectivity | |
| | | CHK KOBBY ZHAO 08JAN2015 | | |
| | | APVD XIANG XU 08JAN2015 | NAME M12 FEMALE, B CODE, RA UNSHIELDED CONNECTOR SCREW TERMINAL | |
| DIMENSIONS: mm | | TOLERANCES UNLESS OTHERWISE SPECIFIED: | PRODUCT SPEC 108-106140 | |
| | | 0 PLC ±0.2 1 PLC ±0.2 2 PLC ±0.2 3 PLC ± 4 PLC ± ANGLES ± FINISH - | APPLICATION SPEC 114-137144 | |
| MATERIAL TBD | | | WEIGHT - | |
| | | | CUSTOMER DRAWING | |
| | | | SIZE A2 | RESTRICTED TO |
| | | | CAGE CODE - | DRAWING NO. G-T411240XXXX000 |
| | | | SCALE 2:1 | SHEET 1 OF 1 REV A1 |