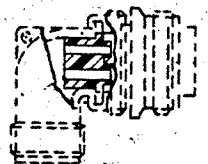
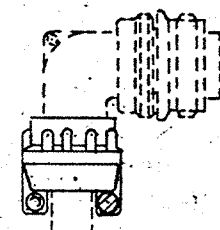


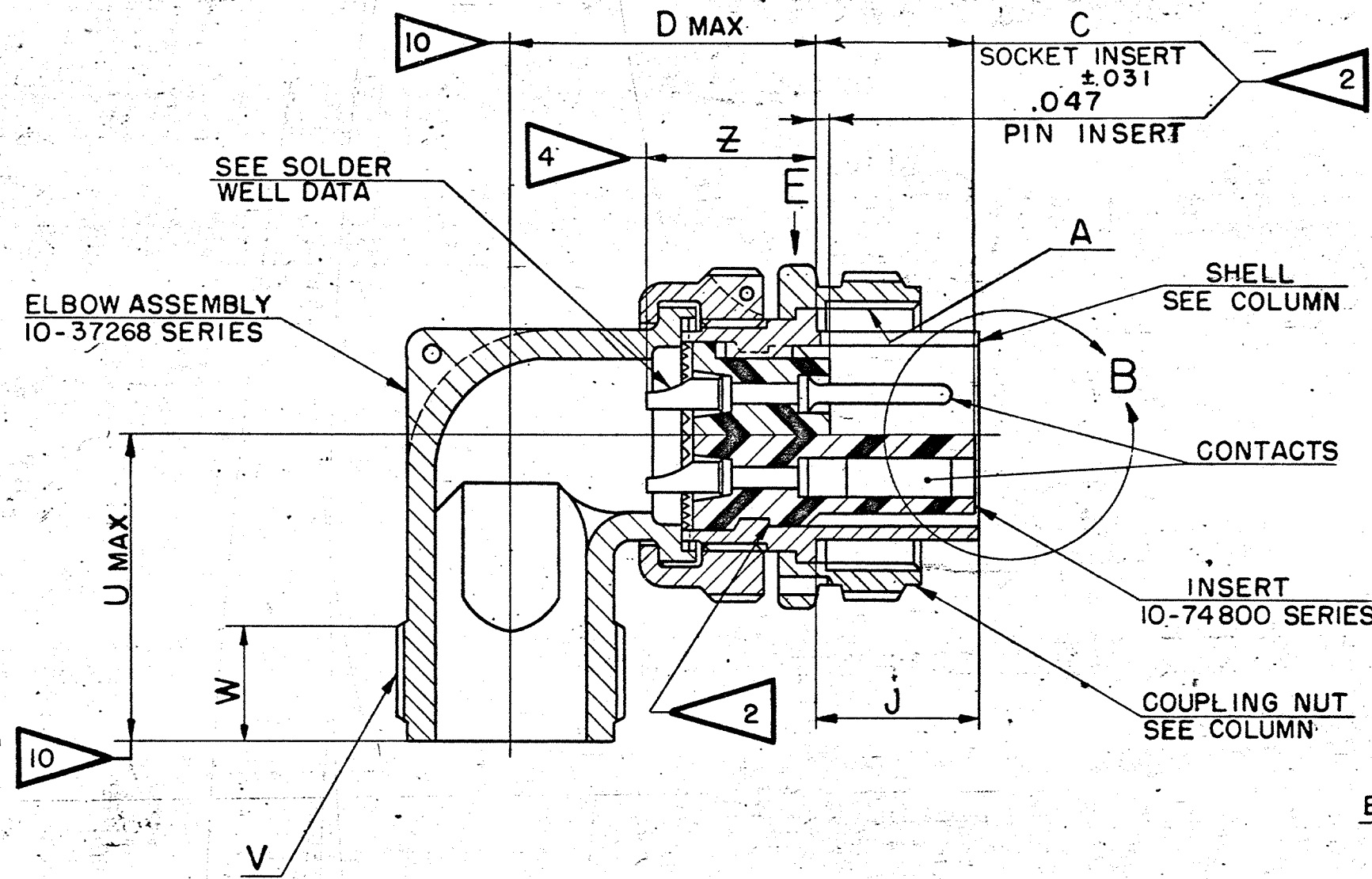
ACCESSORIES
(NOT PART OF STANDARD ASSEMBLY)



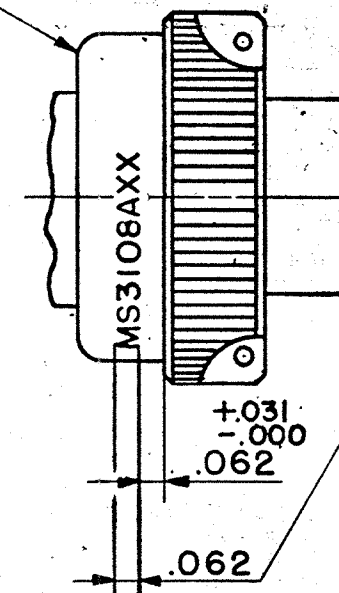
GROMMET
10-40800 SERIES



CABLE CLAMP
10-35900-X3 SERIES

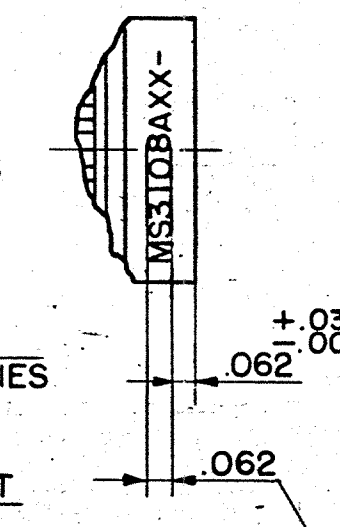


SHELL ASSY
SEE COLUMN

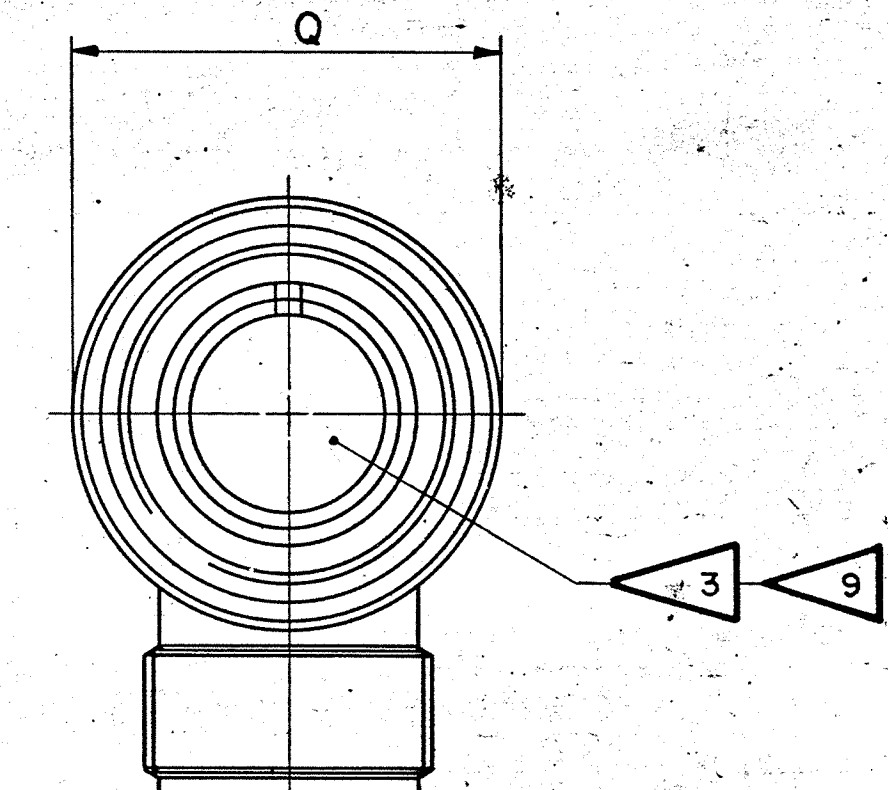


VIEW AT E
IOSL ONLY

STAMP PER 9-2811
EXAMPLE:
MS3108A1OSL-3S BENDIX-7139
NUT MUST TURN FREELY
AFTER STAMPING



VIEW B
EXCEPT IOSL



10-168808 THRU
10-168840

REL.	32508-157	WAS	DATE	D'MAN	APPD.
1	33760-58	ADD. NOTE II & DATA	1-22-58	HUDOCK	
2	35826-5	RELOC & REV C DIM & .000 + .016 - .047	8-30-59	BARTKOW	
A1	36200-27	.188(16M), .250(12) & .500(4) (SOLDER WELL DEPTH); REM SOLDER WELL DATA FOR 16	2-11-60	MAKUSKI	
A2	36525-326	REM PD COL (A & V THDS); REV: NOTE 3, Q DIA COL; ADD NOTE 12.	3-17-60	gachner	
A3	36525-429	ADDED: NOTE 13; REV NOTE 12	7-7-60	PAW'LOK	
A4	42525-45	MIL-C-5015C(NOTE 1)	10-26-63	MILLAR	
A5	51175-1	REM NOTE II, REVISION LETTER (C)(3 PLCS)	11-17-69	Grandall	
A6	53249-14	ADD. 9-3895 (PRO SPEC); REV STAMP NOTE	1-6-72	Grandall	

STAMP PER 9-2811 MS NUMBER, "BENDIX" & DATE CODE (9-3895)
OPPOSITE KEYWAY
EXAMPLE:
MS3108A2Q-12S BENDIX-7139
FOR SUFFIX OTHER THAN "P" OR "S",
STAMP PER 9-2437
(SUFFIX OF MS NUMBER ONLY)
EXAMPLE:
MS3108A20-12SX BENDIX-7139

USE OF THIS DOCUMENT IS UNLIMITED. DOCUMENTS REFERENCED HEREON CONTAIN LIMITED RIGHTS DATA.

SOLDER WELL DATA					
CONTACT SIZE	0	4	8	12	16 M
WELL DIA	469 ⁺⁰⁰⁵ / ₋₀₀₃	332 ⁺⁰⁰⁵ / ₋₀₀₃	209 ⁺⁰⁰⁴ / ₋₀₀₂	116 ⁺⁰⁰⁴ / ₋₀₀₂	078 ⁺⁰⁰⁴ / ₋₀₀₂
WELL DEPTH ⁺⁰³¹ / ₋₀₀₀	.625	.625	.500	.375	.250

MATERIAL SPEC.	PROCESS SPEC. SEE SHEET 2	SCINTILLA MAGNETO DIVISION BENDIX AVIATION CORPORATION SIDNEY, N. Y., U. S. A.				TOLERANCES UNLESS OTHERWISE SPECIFIED	
HEAT TREAT SPEC.	FINISH SPEC.	NAME: CONNECTOR, ELECTRICAL PLUG, TYPE C-1 JMC 90°				FRACTIONS ±	ANGLES ±
		D'MAN CHECKER MAT. STDS. CH. D'MAN APPROVED SCALE				DECIMALS ± .010	CONCENTRICITY, FIR
		TOOL ACC. COM. REC. 22569-5 4-24-57 5-9-57				SURFACE ROUGHNESS MICRO-INCHES RMS VALUE MAX	
		S.GREER BALANTIN 10/21/57 5-10-57				NEXT ASSEMBLY	
		NONE				WEIGHT-LBS. SEE PARTS LIST	
		SUPERSEDES				AND IS NOT INTERCHANGEABLE	
		SUPERSEDED BY				10-168808 THRU 10-168840	
		REF. 10-68808/40					

SEE SHEET 2.
NOTES: REF SYMBOL

REL.	32508-157	WAS	DATE	D'MAN	APPD.
1	33750-58	SEE SHEET I.	1-22-58	HUDOCK	
2	35826-5	SEE SHEET I	8-30-59	BARTKOW	
A1	36200-27	SEE SHEET I	2-11-60	MAKOWSKI	
A2	36325-326	SEE SHEET I.	3-17-60	gachan	
A3	36525-449	SEE SHEET I	7-7-60	PAWLICK	
A4	42525-45	SEE SHEET I	10-2-63	MILAR	
A5		SEE SHEET I FOR ALL			
A6		CHANGES			

ASSEMBLY NO.	MS NO.	DIMENSIONS										DETAILS	
		A THREAD CLASS 2B	C +.047 -.000	D MAX	J ±.005	Q DIA MAX	U MAX	V THREAD (PLATED) CLASS 2A	W	Z ±.045	SHELL	COUPLING NUT	
10-168808-	3108 8S-	.5000-28 UNEF	.531	.896	.531	.741	.750	.5000-28 UNEF		.375	.562	10-37266-8	10-37265-8
10-168810-	10S-	.6250-24 NEF	.531	.927	.531	.869	.750	.5000-28 UNEF				-10	-10
10-168811-	10SL-	.6250-24 NEF	.531	.951	.531	.946	.875	.6250-24 NEF				10-113488-II (SHELL ASSY)	
10-168812-	12S-	.7500-20 UNEF	.531	.956	.531	.995						10-37266-12	10-37265-12
10-168813-	12-	.7500-20 UNEF	.719	1.143	.719	.995					.812	-13	-13
10-168814-	14S-	.8750-20 UNEF	.531	1.120	.531	1.123	1.000	.7500-20 UNEF			.562	-14	-14
10-168815-	14-	.8750-20 UNEF	.719	1.207	.719	1.123	1.000	.7500-20 UNEF			.812	-15	-15
10-168816-	16S-	1.0000-20 UNEF	.531	1.146	.531	1.250	1.062	.8750-20 UNEF			.562	-16	-16
10-168817-	16-	1.0000-20 UNEF	.719	1.332	.719	1.250	1.062	.8750-20 UNEF			.812	-17	-17
10-168818-	18-	1.1250-18 NEF		1.395		1.333	1.188	1.0000-20 UNEF				-18	-18
10-168820-	20-	1.2500-18 NEF		1.645		1.461	1.250	1.1875-18 NEF				-20	-20
10-168822-	22-	1.3750-18 NEF		1.645		1.588	1.312	1.1875-18 NEF				-22	-22
10-168824-	24-	1.5000-18 NEF		1.896		1.715	1.438	1.4375-18 NEF				-24	-24
10-168828-	28-	1.7500-18 NS		1.896		1.968	1.500	1.4375-18 NEF				-28	-28
10-168832-	32-	2.0000-18 NS		2.118		2.209	1.750	1.7500-18 NS		.438		-32	-32
10-168836-	36-	2.2500-16 UN		2.176		2.463	1.875	2.0000-18 NS		.500		36	36
10-168840-	40-	2.5000-16 UN		2.301		2.718	2.031	2.2500-16 UN		.500		-40	-40

10-168808 THRU
10-168840

- 5
1. THE UNITS ILLUSTRATED MEET THE REQUIREMENTS OF MS310.8A PER SPEC MIL-C-5015D.
 2. DIMENSIONS MUST BE MAINTAINED WHEN INSERTS ARE PRESSED FIRMLY AGAINST INDICATED SHOULDER.
 3. FOR CONTACT SIZE, SPACING, & SERVICE RATING, SEE DRAWINGS MS33680 THRU MS33690.
 4. INCREASE Z DIMENSION BY .312 FOR SIZE "O" CONTACT ONLY.
 5. TO COMPLETE ASSEMBLY NUMBER & MS NUMBER, ADD APPLICABLE INSERT ARRANGEMENT SUFFIX TO BASE NUMBERS LISTED ABOVE (FOR ALTERNATE ARRANGEMENTS, REFER TO 9-2437.) TO DETERMINE DESIRED INSERT ARRANGEMENT, SEE PARTS LISTS 10-168808 THRU 10-168840.
 6. SEE WORK ORDER FOR PERMISSIBLE ADDITIONAL OR ALTERNATE STAMPING.
 7. SEE DRAWINGS 10-168008 THRU 10-168040 & 10-168208 THRU 10-168240 FOR REQUIRED MATING RECEPTACLE ASSEMBLIES.
 8. ALL LOCKWIRE HOLES ARE .045 DIA MIN.
 9. INSERTS AND CONTACTS ARE REMOVABLE.
 10. DIMENSIONS INDICATE FINAL INSTALLATION. FOR STORAGE & SHIPPING, ELBOW ASSEMBLY MUST BE LOOSELY COUPLED.
 - 11.
 12. FOR PART NUMBERS 10-168817-13, 10-168818-15, & 61, SEE INDIVIDUAL DRAWINGS 10-168817-13, 10-168818-15, & 61-00000.
 13. FOR DIMENSIONS AND STAMPING ON ALL ARRANGEMENTS WITH SUFFIX -50 OR ABOVE, SEE INDIVIDUAL DRAWING OF SAME SHELL SIZE & SUFFIX IN 10-41800 SERIES.

MATERIAL SPEC.	PROCESS SPEC. 1-51 9-3106-5 ASSY 9-3103-1	SCINTILLA MAGNETO DIVISION BENDIX AVIATION CORPORATION SIDNEY, N. Y., U.S.A.				TOLERANCES UNLESS OTHERWISE SPECIFIED			
HEAT TREAT SPEC.	9-2811, 9-2437 9-3895	NAME CONNECTOR, ELECTRICAL PLUG, TYPE C () MC 90°				FRACTIONS ± .010		ANGLES ± .5	
TOOL ACC.	COM. REC. 22569-5	D'MAN: S.GREER CHECKER: Blantia MAT.: STDS: W. J. B. / B. G. / H. M. / J. S. / K. L. / M. N. / O. P. / Q. R. / S. T. / U. V. / W. X. / Y. Z. CH. D'MAN: 5-10-57 APPROVED: 5-9-57 SCALE: NONE				DECIMALS ± .010		CONCENTRICITY ± .010	
		SURFACE ROUGHNESS MICRO-INCHES RMS VALUE MAX				NEXT ASSEMBLY		WEIGHT-LBS. SEE PARTS LIST	
		SUPERSEDES AND IS NOT INTERCHANGEABLE				SUPERSEDED BY		10-168808 THRU 10-168840	
		REF. 10-68808/40							

NOTES: REF SYMBOL