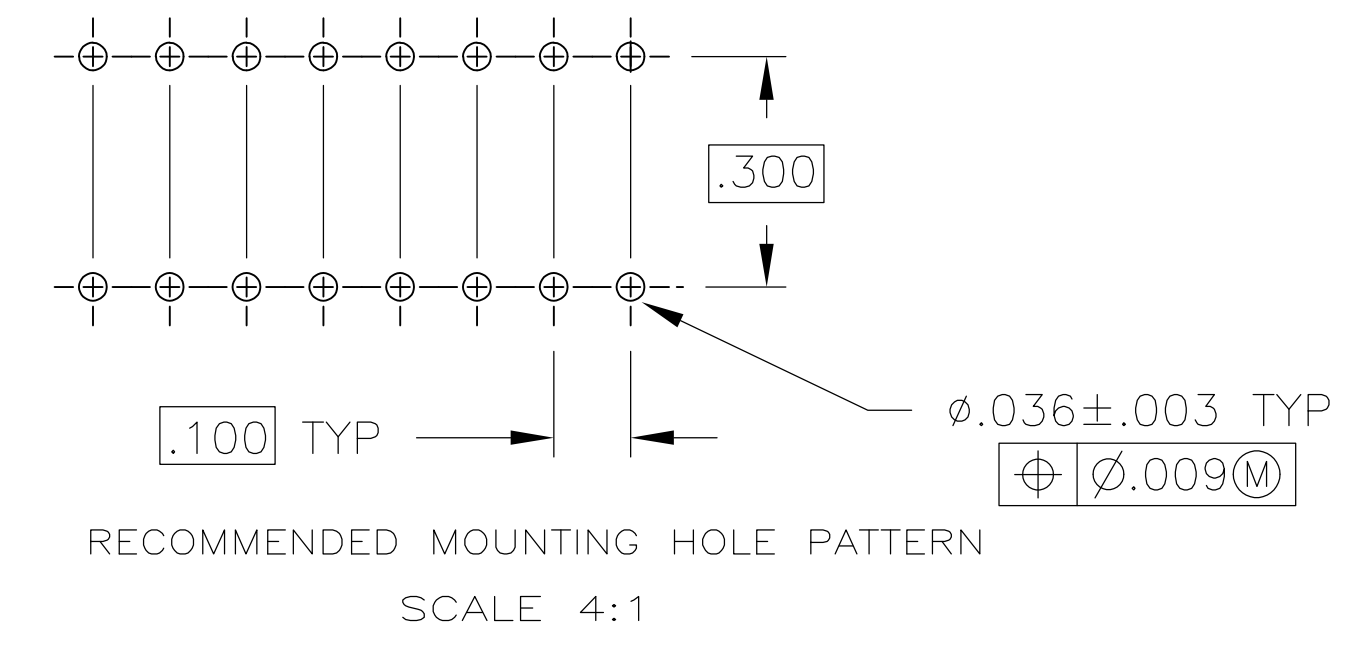
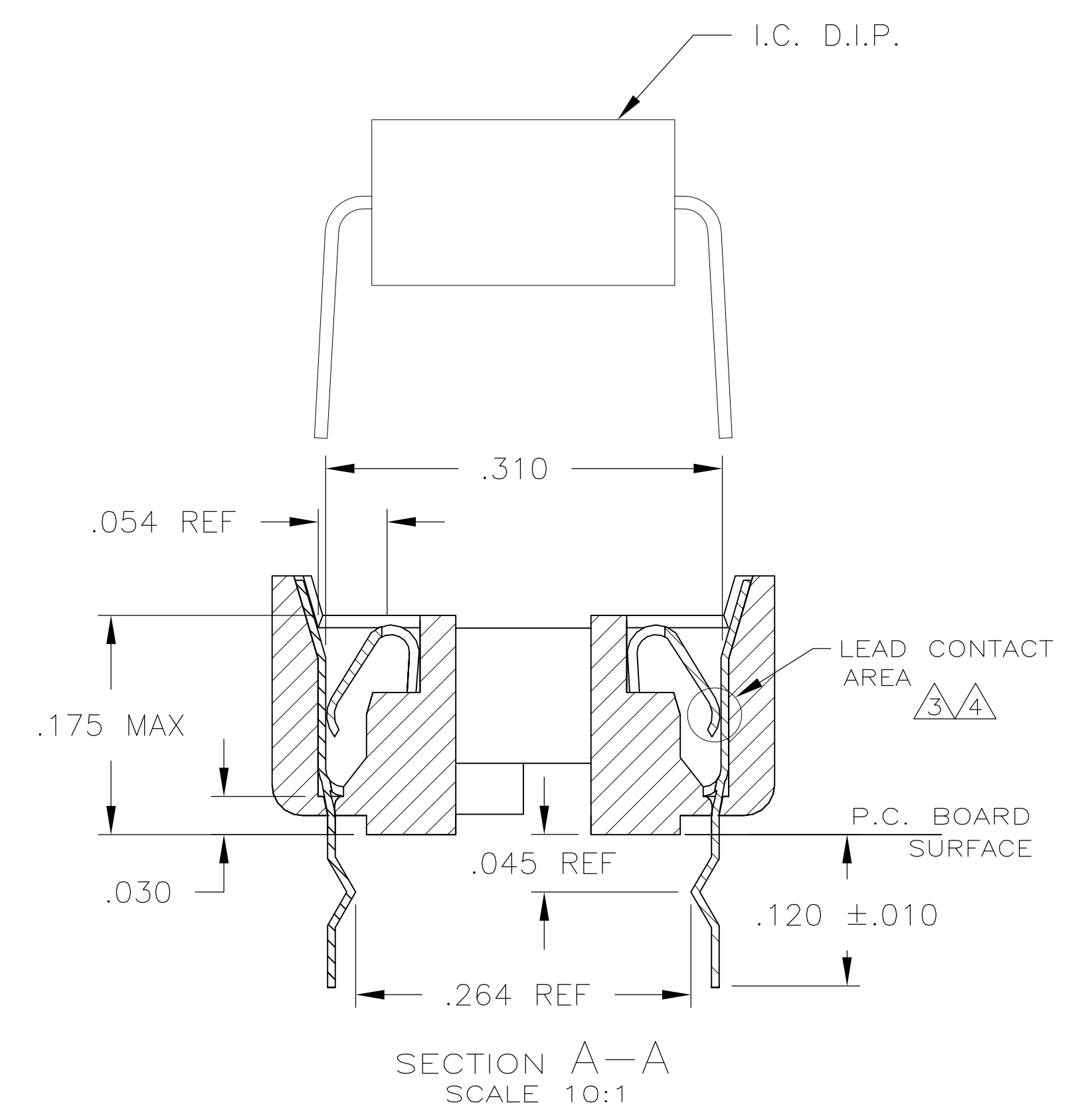
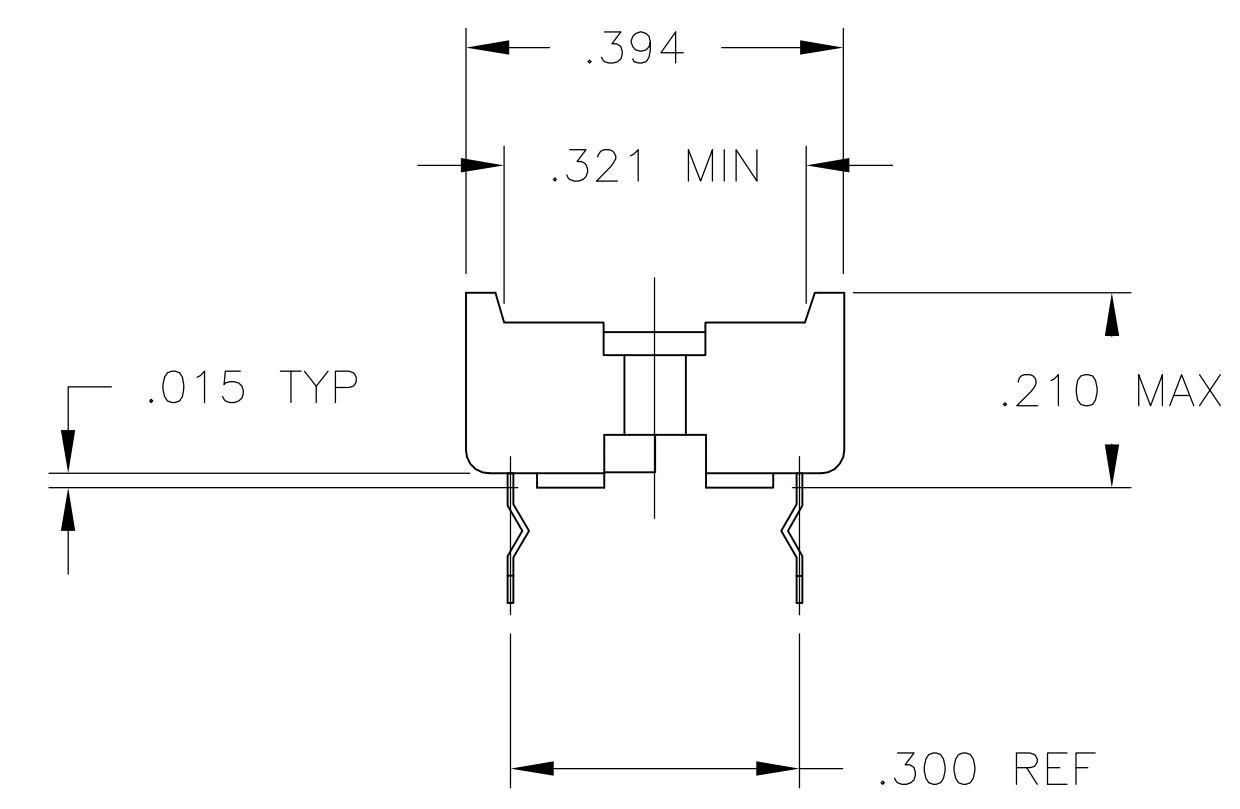
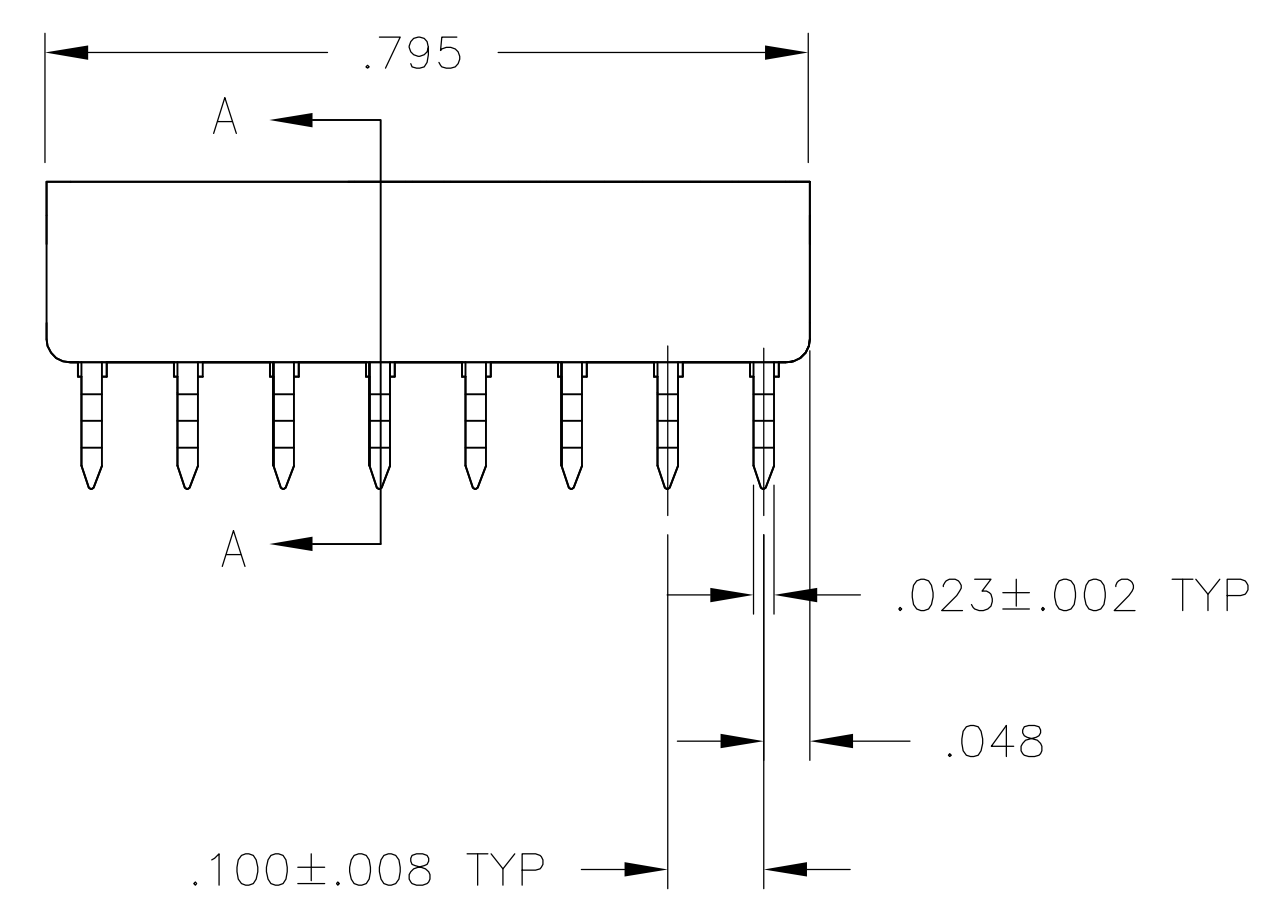
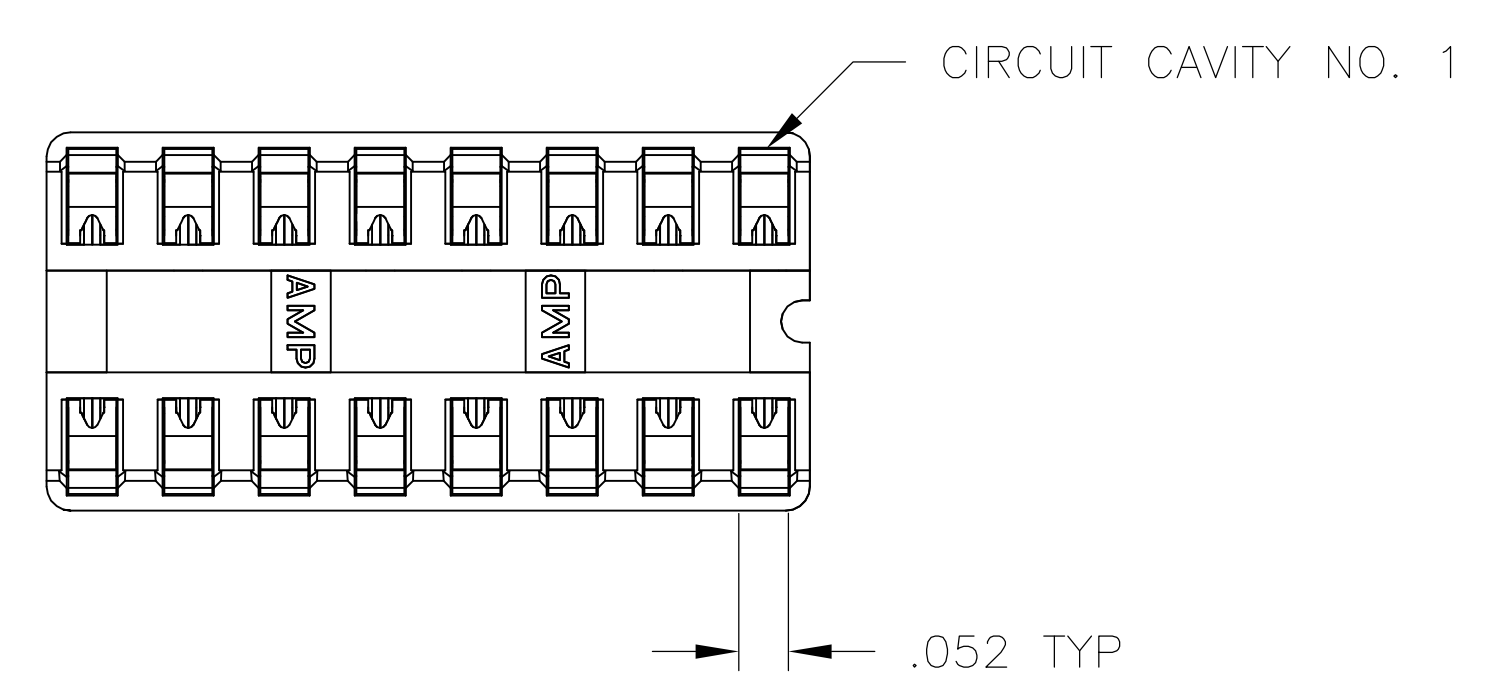


LOC		DIST		REVISIONS			
FT	64	REV	PER	DESCRIPTION	DATE	DMN	APVD
W		REV	PER	OG3C-0162-99	17NOV00	RB	HW
W1		REVISED	PER	ECO-09-021510	15AUG09	KK	AEG

- RECEPTACLE ACCEPTS A .008-.014 THICK I.C. LEAD.
- TUBE LOADED.
- TWO .000030 MIN THK. GOLD STRIPES IN CONTACT AREA WITH TIN-LEAD (93/7) ON CONTACT LEGS, BALANCE OF CONTACT NICKEL PLATED.
- TWO .000015 MIN THK. GOLD STRIPES IN CONTACT AREA WITH TIN-LEAD (93/7) ON CONTACT LEGS, BALANCE OF CONTACT NICKEL PLATED.
- OBSOLETE PARTS: OBSOLETE CIS STREAMLINING PER D.RENAUD/D.SINISI



OBSOLETE	TINNED	PHOS.BRZ. .006 THK	GLASS-FILLED THERMOPLASTIC, 94V-0, BLACK	2-641610-5
		PHOS.BRZ. .006 THK	GLASS-FILLED THERMOPLASTIC, 94V-0, BLACK	2-641610-4
OBSOLETE	TINNED	PHOS.BRZ. .006 THK	GLASS-FILLED THERMOPLASTIC, 94V-0, BLACK	2-641610-3
OBSOLETE		BE.CU. .006 THK	GLASS-FILLED THERMOPLASTIC, 94V-0, BLACK	2-641610-2
	TINNED	BE.CU. .006 THK	GLASS-FILLED THERMOPLASTIC, 94V-0, BLACK	2-641610-1
CONTACT FINISH		CONTACT MAT'L	HOUSING MATERIAL	PART NO.
THIS DRAWING IS A CONTROLLED DOCUMENT.		DIN R BROWN 09JAN01	Tyco Electronics Corporation Harrisburg, PA 17105	
DIMENSIONS: INCHES		TOLERANCES UNLESS OTHERWISE SPECIFIED:	AMP	
0 PLC ± -		1 PLC ± -	H WYNKOOP 17NOV00	
1 PLC ± -		2 PLC ± -	H WYNKOOP 17NOV00	
2 PLC ± -		3 PLC ± .005	NAME	
3 PLC ± -		4 PLC ± -	H WYNKOOP 17NOV00	
4 PLC ± -		ANGLES ± σ-30°	PRODUCT SPEC	
MATERIAL SEE TABLE		FINISH SEE TABLE	APPLICATION SPEC	
			108-1066	
			SIZE	
			114-1049	
			WEIGHT	
			A1 00779 641610	
			CUSTOMER DRAWING	
			SCALE 5:1 SHEET 1 OF 1 REV W1	