

8

7

6

5

4

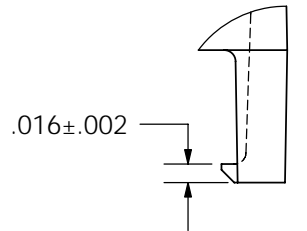
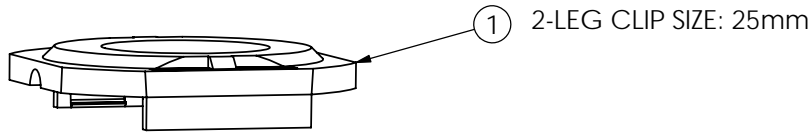
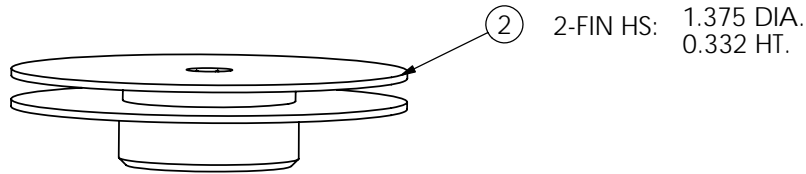
3

2

1

REVISION(S)

LTR	DESCRIPTION	INIT	APP'D
O	NEW RELEASE	E.T 8/25/04	B.P 9/10/04
A	ECR-06-013536	E.T 6/6/06	V.K 6/6/06



DETAIL A  
SCALE = 6X

NOTE:

1. MATERIAL:

HEAT SINK: ALUM. (BLACK ANODIZE)  
CLIP: BLACK PEI (UL94-VO)

2. BEFORE THE HEATSINK APPLICATION, THE USER SHOULD IDENTIFY THE SPECIFICATION OF MAXIMUM LOAD ON THE BGA PACKAGE.

HEATSINK TORQUE SPECIFICATIONS CONVERTED TO FORCE.

BARE DIE PACKAGE:

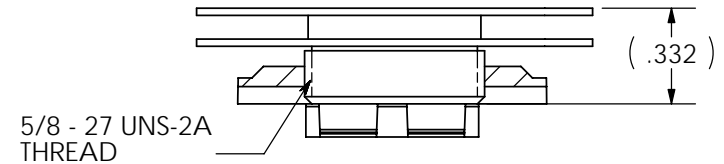
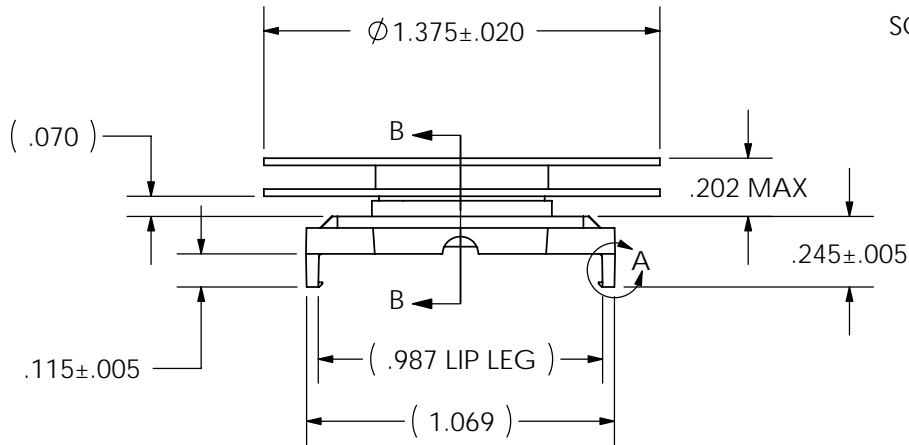
1.5 INCH - LB TORQUE = 8.5 LBS FORCE  
2.0 INCH - LB TORQUE =11.4 LBS FORCE

FULL SIZE LID PACKAGE:

1.5 INCH - LB TORQUE = 8.3 LBS FORCE  
2.0 INCH - LB TORQUE = 11.1 LBS FORCE

3. REMOVE CLIP WITH REMOVAL TOOL P/N: 1542616-1.

4. RoHS COMPLIANT AND CERTIFIED.



SECTION B-B

ITEM	DESCRIPTION	QTY
1	MOUNTING CLIP	1
2	HEAT SINK	1
3	INTERFACE	1

DO NOT SCALE

**tyco** / Electronics    Attleboro Falls Massachusetts 02763

UNLESS OTHERWISE SPECIFIED TOLERANCES ARE:  
 .XX ±  
 .XXX ±  
 .XXXX ±  
 ANGLES ± °

DRAWN BY: K.B	DATE 8/25/04	MATERIAL: SEE NOTE
ENGINEER: C.R	DATE 9/10/04	FINISH: SEE NOTE
FILENAME	PROJECT	SYSTEM

CONFIDENTIAL PROPERTY OF TYCO ELECTRONICS. NOT TO BE DISCLOSED TO OTHERS. REPRODUCED OR USED FOR ANY PURPOSES EXCEPT AS AUTHORIZED IN WRITING BY AN AUTHORIZED OFFICIAL OF TYCO. MUST BE RETURNED TO TYCO ON DEMAND, ON COMPLETION OF ORDERS OR OTHER PURPOSES FOR WHICH LENT.

DIMENSIONS ARE IN: INCHES  
SCALE: 1.5:1  
SIZE: A  
THIRD ANGLE PROJECTION

TITLE:  
**25mm HEATSINK ASSEMBLY (HTS389-P)**

PART NO: **2-1542002-2**

DWG. NO: **C-2-1542002-2**

SHEET: 1 OF 1  
REV: A

8

7