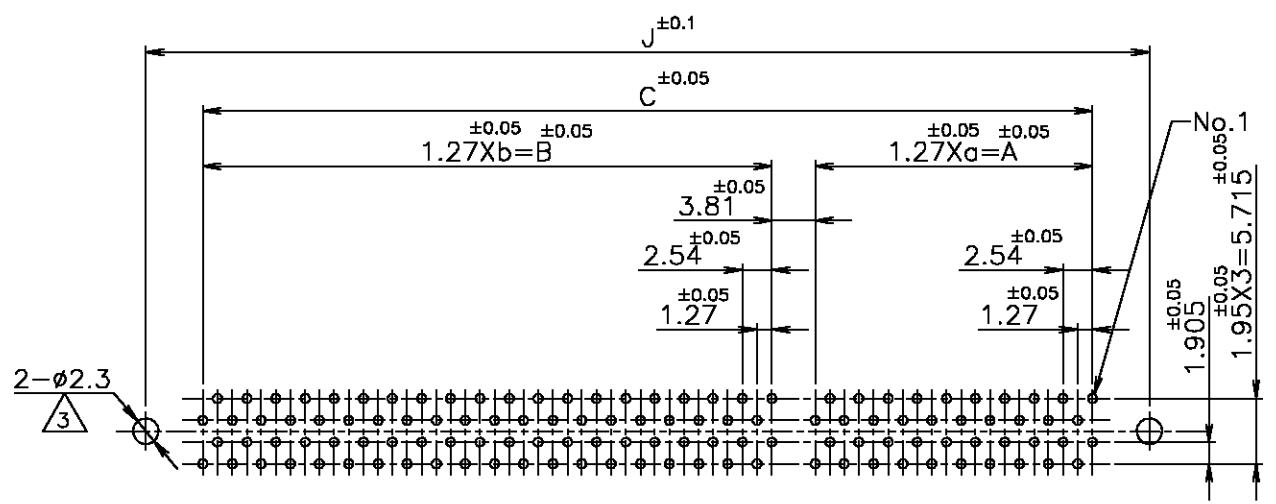
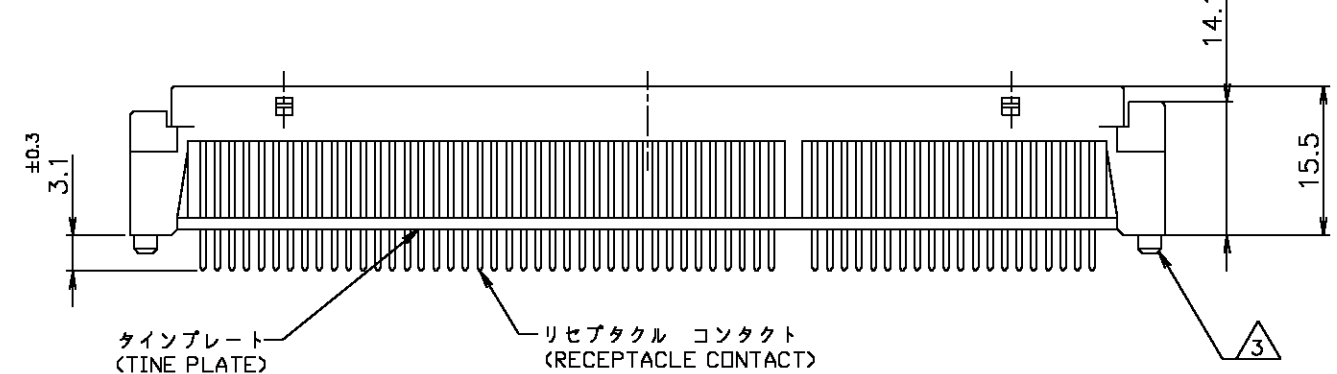
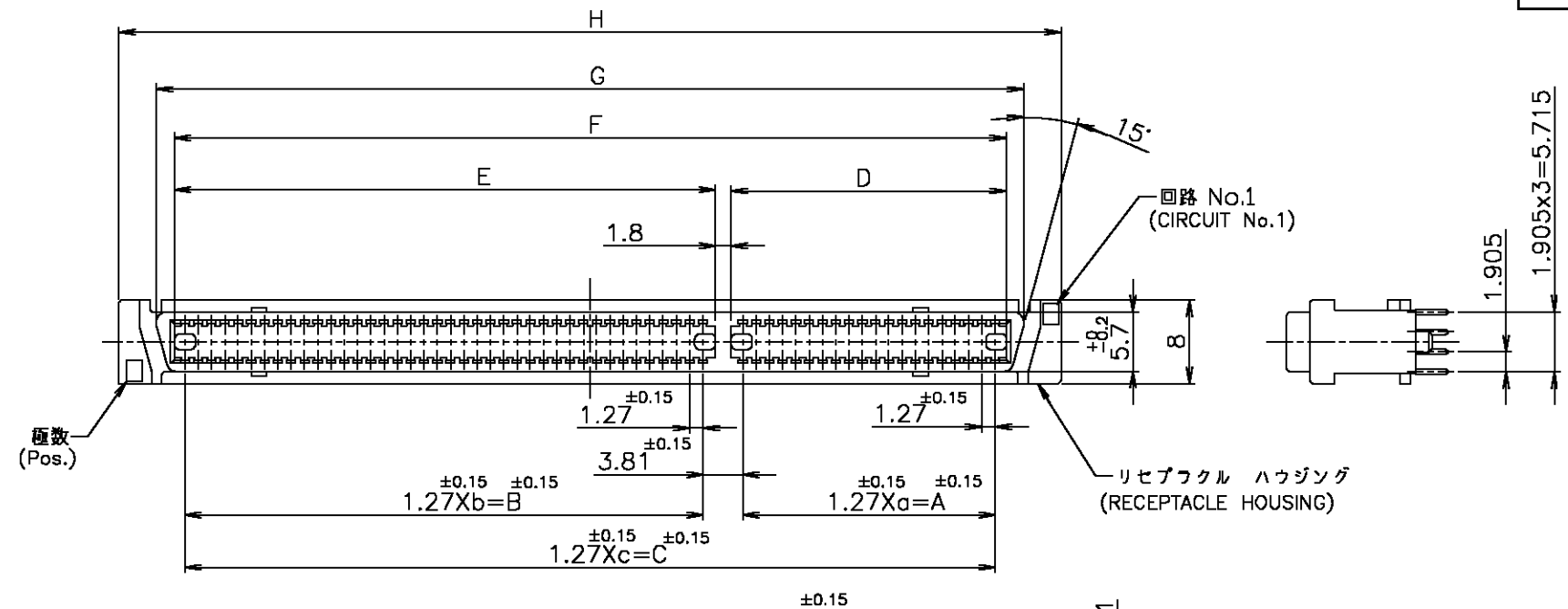


THIS DRAWING IS UNPUBLISHED. RELEASED FOR PUBLICATION  
 © COPYRIGHT BY TYCO ELECTRONICS CORPORATION. ALL RIGHTS RESERVED.

LOC		DIST		REVISIONS					
J		P	LTR	DESCRIPTION	DATE	DWN	APVD		
			O	RELEASED (FJB0-0582-04)	09JUN04	T.K	I.E		



NOTE:  
 ① MATERIAL:HOUSING, TINE PLATE;THERMOPLASTICS  
 (UL 94V-0) BLACK  
 CONTACT: COPPER ALLOY

② FINISH:CONTACT:Au AT CONTACT AREA  
 TIN AT TINE, OVER Ni

③ BOSS FOR POSITIONING:P/N -1,-2,-3,-4

注記:  
 ① 材料:ハウジング、タインプレート;熱可塑性樹脂  
 (UL 94V-0) 色:黒  
 コンタクト:銅合金

② 表面仕上げ;  
 コンタクト:全面ニッケル下地めっき  
 接触部金めっき、脚部すずめっき

③ ボスは型番 -1,-2,-3,-4のみ

0.76μm	120	19	24.13	39	49.53	—	77.47	26.13	51.53	79.47	82.56	90.09	87.44	2-	-5
	100	—	—	—	—	49	62.23	—	—	64.23	67.32	74.85	72.2	2-	-4
0.3μm	180	39	49.53	49	62.23	—	115.57	51.53	64.23	117.57	120.66	128.19	125.54		-8
	160	29	36.83	49	62.23	—	102.87	38.83	64.23	104.87	107.96	115.49	112.84		-7
	140	29	36.83	39	49.53	—	90.17	38.83	51.53	92.17	95.26	102.79	100.14		-6
	120	19	24.13	39	49.53	—	77.47	26.13	51.53	79.47	82.56	90.09	87.44		-5
	100	—	—	—	—	49	62.23	—	—	64.23	67.32	74.85	72.2		-4
	80	—	—	—	—	39	49.53	—	—	51.53	54.62	62.15	59.5		-3
	60	—	—	—	—	29	36.83	—	—	38.83	41.92	49.45	46.8		-2
	40	—	—	—	—	19	24.13	—	—	26.13	29.22	36.75	34.1		5176378-1
GOLD PLATING	Pos.	a	A	b	B	c	C	D	E	F	G	H	J	P/N	

THIS DRAWING IS A CONTROLLED DOCUMENT.

DIMENSIONS: MM	TOLERANCES UNLESS OTHERWISE SPECIFIED:
0 PLC ±	1 PLC ±
2 PLC ±	3 PLC ±
4 PLC ±	ANGLES ±
MATERIAL ①	FINISH ②

DWN T.KAWAMAE 09JUN04  
 CHK I.ENOMOTO 09JUN04  
 APVD I.ENOMOTO 09JUN04  
 PRODUCT SPEC 108-5309  
 APPLICATION SPEC  
 WEIGHT  
 CUSTOMER DRAWING

tyco Electronics Tyco Electronics AMP K.K. Kawasaki, Japan

NAME: 1.27 FH CONN. (VERTICAL) REC, 18mm STACK

SIZE: A3 CAGE CODE: 00779 DRAWING NO: 5176378 RESTRICTED TO: —

SCALE: NTS SHEET: 1 OF 1 REV: O

鉛フリー LEAD FREE

TOLERANCES UNLESS OTHERWISE SPECIFIED—  
 10 ≥ ±0.2  
 30 ≥ > 10: ±0.25  
 100 ≥ > 30: ±0.3  
 ANGLES: ±3'