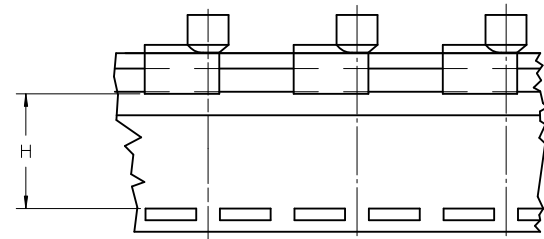
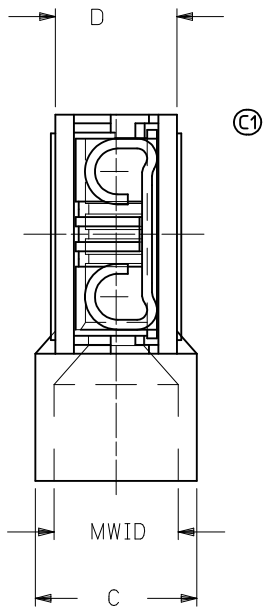
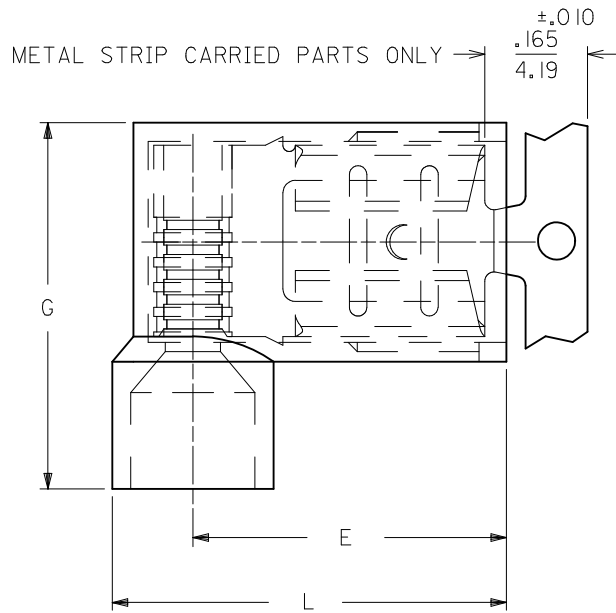


10		9		8		7		6		5		4		3		2		1	
LOOSE PIECE		METAL STRIP CARRIED		MYLAR TAPE CARRIED		FEATURES						DIMENSIONS							
MATERIAL NUMBER	ENGINEERING NUMBER	MATERIAL NUMBER	ENGINEERING NUMBER	MATERIAL NUMBER	ENGINEERING NUMBER	AWG	COLOR	FITS TAB SIZE	MWID	L ± .015 0.38	G ± .015 0.38	E ± .015 0.38	C ± .015 0.38	D ± .015 0.38	H ± .02 0.5				
190070001	AA-2220	190070008	AA-2220Z	190070004	AA-2220T	22-18	RED	.250x.032/6.35x0.81	.176/4.47	.630/16.00	.585/14.86	.512/13.00	.236/5.99	.197/5.00	.93/23.6				
190070005	AA-2220X	190070007	AA-2220XZ	190070006	AA-2220XT	22-18	RED	.250x.032/6.35x0.81	.240/6.10	.662/16.81	.625/15.88	.512/13.00	.300/7.26	.197/5.00	.93/23.6				
190070021	BB-2221	190070028	BB-2221Z	190070024	BB-2221T	16-14	BLUE	.250x.032/6.35x0.81	.200/5.08	.630/16.00	.585/14.86	.500/12.70	.260/6.60	.197/5.00	.93/23.6				
190070025	BB-2221X	190070027	BB-2221XZ	190070026	BB-2221XT	16-14	BLUE	.250x.032/6.35x0.81	.265/6.73	.670/17.02	.625/15.88	.500/12.70	.325/8.26	.197/5.00	.93/23.6				
190070040	C-2211	190070041	C-2211Z	190070053	C-2211T	12-10	YELLOW	.250x.032/6.35x0.81	.260/6.60	.667/16.93	.677/17.20	.511/12.98	.311/7.90	.246/6.25	.97/24.6				



PARTS ON TAPE

- NOTES:
- MWID = MAX. WIRE INSULATION DIA.
 - ALL DIMENSIONS = INCHES/MM
 - MATERIAL:
HOUSING: NYLON
TERMINAL: TIN PLATED BRASS
 - ASSEMBLY IS ROHS COMPLIANT.

ADD TAPE PARTS EC NO: WNA2011-0074 DRW: WNETHRODAHL 2010/08/10 CHKD: JMACNEIL 2010/08/10 APPR: JMACNEIL 2010/09/23	QUALITY SYMBOLS ▽=0 ▽=0	GENERAL TOLERANCES (UNLESS SPECIFIED) <table border="1"> <thead> <tr> <th></th> <th>mm</th> <th>INCH</th> </tr> </thead> <tbody> <tr> <td>4 PLACES</td> <td>± ---</td> <td>± ---</td> </tr> <tr> <td>3 PLACES</td> <td>± ---</td> <td>± .005</td> </tr> <tr> <td>2 PLACES</td> <td>± 0.13</td> <td>± .01</td> </tr> <tr> <td>1 PLACE</td> <td>± 0.25</td> <td>± ---</td> </tr> </tbody> </table>		mm	INCH	4 PLACES	± ---	± ---	3 PLACES	± ---	± .005	2 PLACES	± 0.13	± .01	1 PLACE	± 0.25	± ---	DIMENSION STYLE IN/MM	SCALE 5:1	DESIGN UNITS INCH	THIRD ANGLE PROJECTION
		mm	INCH																		
	4 PLACES	± ---	± ---																		
	3 PLACES	± ---	± .005																		
2 PLACES	± 0.13	± .01																			
1 PLACE	± 0.25	± ---																			
DRAWN BY RCM	DATE 1989/07/26	FLAG QUICK DISCONNECT, FULLY INSULATED, .250 X .032 TAB SIZE																			
CHECKED BY JM	DATE 1989/07/26	MOLEX INCORPORATED																			
APPROVED BY FP	DATE 1989/07/26	MATERIAL NO. SEE CHART	DOCUMENT NO. SD-19007-004	SHEET NO. 1 OF 1																	

DRAFT WHERE APPLICABLE MUST REMAIN WITHIN DIMENSIONS

THIS DRAWING CONTAINS INFORMATION THAT IS PROPRIETARY TO MOLEX INCORPORATED AND SHOULD NOT BE USED WITHOUT WRITTEN PERMISSION