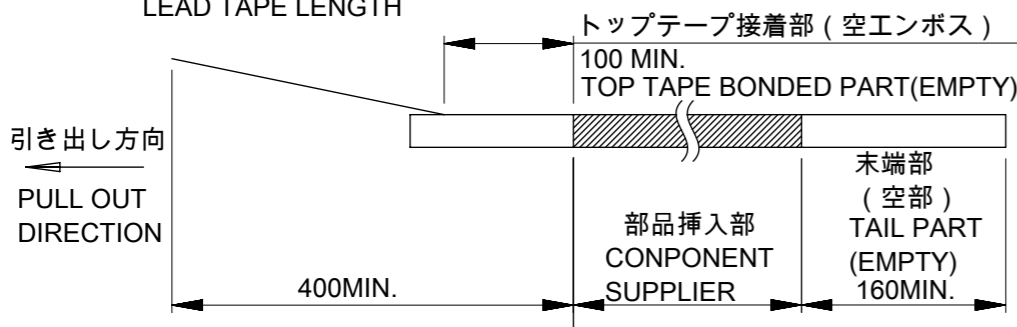


				COLOR:GREEN	COLOR:BLUE	COLOR:RED	COLOR:BLACK	COLOR:NATURAL	
49.4	45.4	20.2	44	5054334276	5054334274	5054334272	5054334271	5054334270	42
49.4	45.4	20.2	44	5054334076	5054334074	5054334072	5054334071	5054334070	40
49.4	45.4	20.2	44	5054333876	5054333874	5054333872	5054333871	5054333870	38
49.4	45.4	20.2	44	5054333676	5054333674	5054333672	5054333671	5054333670	36
49.4	45.4	20.2	44	5054333476	5054333474	5054333472	5054333471	5054333470	34
49.4	45.4	20.2	44	5054333276	5054333274	5054333272	5054333271	5054333270	32
49.4	45.4	20.2	44	5054333076	5054333074	5054333072	5054333071	5054333070	30
49.4	45.4	20.2	44	5054332876	5054332874	5054332872	5054332871	5054332870	28
49.4	45.4	20.2	44	5054332676	5054332674	5054332672	5054332671	5054332670	26
37.4	33.4	14.2	32	5054332476	5054332474	5054332472	5054332471	5054332470	24
37.4	33.4	14.2	32	5054332276	5054332274	5054332272	5054332271	5054332270	22
37.4	33.4	14.2	32	5054332076	5054332074	5054332072	5054332071	5054332070	20
37.4	33.4	14.2	32	5054331876	5054331874	5054331872	5054331871	5054331870	18
37.4	33.4	14.2	32	5054331676	5054331674	5054331672	5054331671	5054331670	16
29.4	25.4	11.5	24	5054331476	5054331474	5054331472	5054331471	5054331470	14
29.4	25.4	11.5	24	5054331276	5054331274	5054331272	5054331271	5054331270	12
29.4	25.4	11.5	24	5054331076	5054331074	5054331072	5054331071	5054331070	10
29.4	25.4	11.5	24	5054330876	5054330874	5054330872	5054330871	5054330870	8
D	C	B	エンボステープ幅 WIDTH OF TAPE A	エンボス梱包 EMBOSSED TAPE PACKAGE オーダー番号 ORDER NO.	エンボス梱包 EMBOSSED TAPE PACKAGE オーダー番号 ORDER NO.	エンボス梱包 EMBOSSED TAPE PACKAGE オーダー番号 ORDER NO.	エンボス梱包 EMBOSSED TAPE PACKAGE オーダー番号 ORDER NO.	エンボス梱包 EMBOSSED TAPE PACKAGE オーダー番号 ORDER NO.	極数 CKT. NO

NOTES

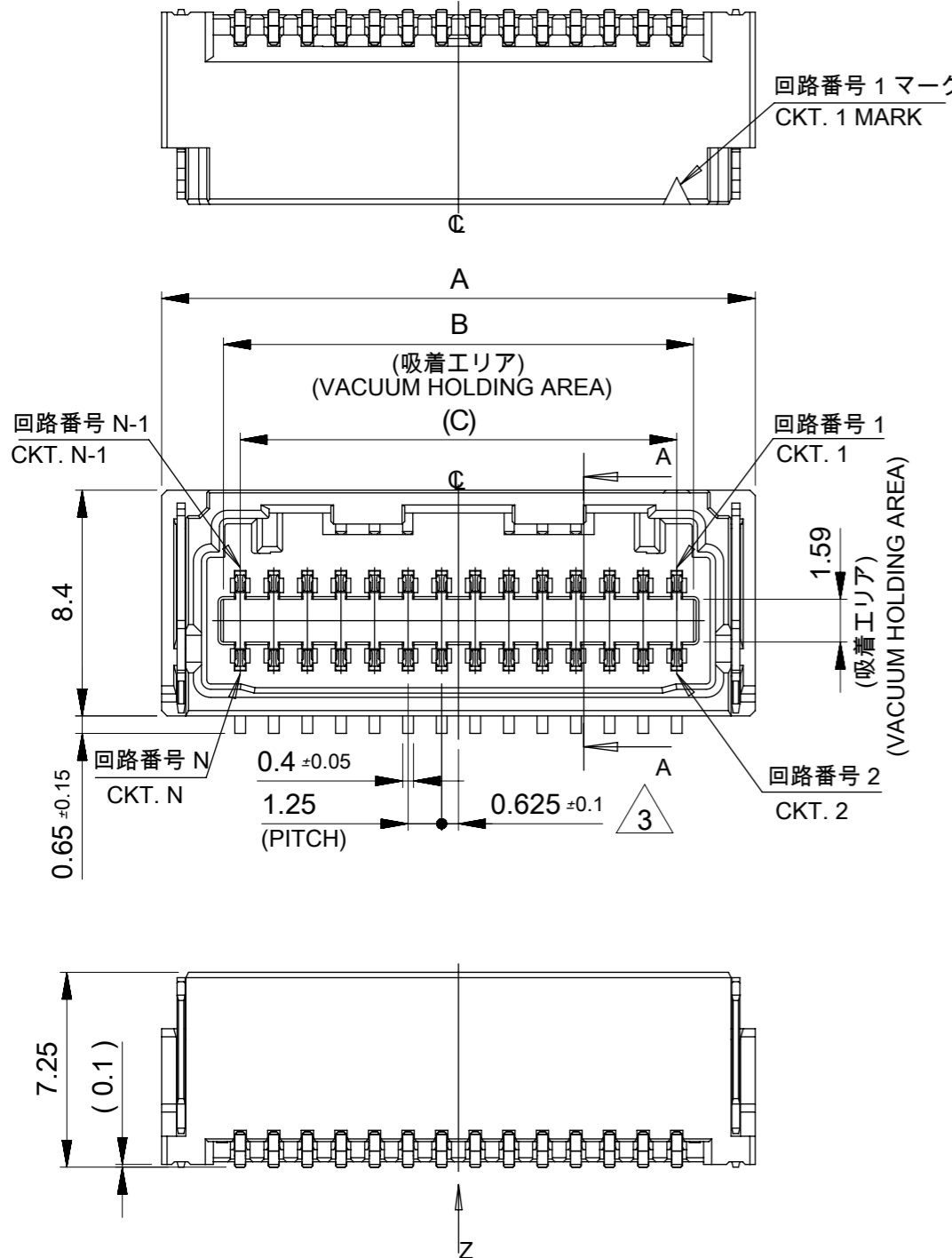
- 製品番号505433\*\*7\*の詳細寸法は5054330002PSD000を参照ください。  
FOR DETAIL OF 505433\*\*7\* DIMENSIONS,  
PLEASE SEE THE 5054330002PSD000 (NOT PACKAGED).
- 梱包数量 : 500個  
NUMBER OF CONNECTORS : 500 PIECES/REEL.
- リードテープ長さ  
LEAD TAPE LENGTH



- 材料 MATERIAL  
キャリアテープ : ポリスチレン ( PS )  
CARRIER TAPE : POLYSTYRENE ( PS )  
トップテープ : ポリエステル ( PET )、その他  
TOP TAPE : POLYESTER ( PET )、OTHER  
リール : ポリスチレン ( PS ) <リサイクル材を含む>  
REEL : POLYSTYRENE ( PS ) <RECYCLE MATERIAL CONTAINED>
- トップテープの剥離強度については、IEC60286-3に準拠  
TOP TAPE PEEL FORCE IS DEFINED BY IEC60286-3.

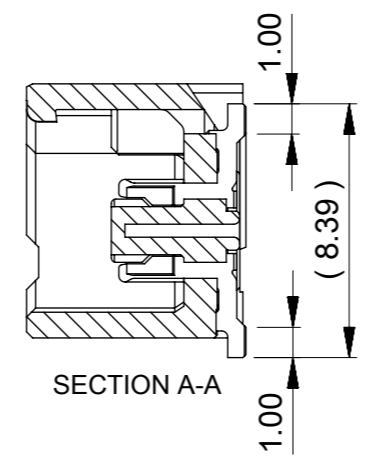
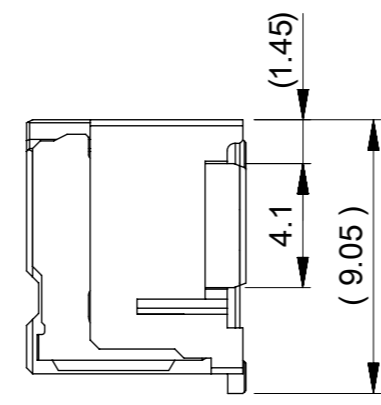
THIS DRAWING CONTAINS INFORMATION THAT IS PROPRIETARY TO MOLEX ELECTRONIC TECHNOLOGIES, LLC AND SHOULD NOT BE USED WITHOUT WRITTEN PERMISSION

RELEASED EC NO: 112331 DRWN: TAKAIKE CHK'D: KOMURAKAMI APPR: TKANEKO	2017/02/08	GENERAL TOLERANCES (UNLESS SPECIFIED)		DIMENSION UNITS	SCALE			
	2017/03/30	ANGULAR TOL ± 3.0 °		MM	NTS			
	2017/04/03	4 PLACES ± 0.2	3 PLACES ± 0.2	DRWN BY	DATE			
	2017/04/03	2 PLACES ± 0.2	1 PLACE ± 0.2	TAKAIKE	2017/02/08			
		0 PLACES ± 0.2	DRAFT WHERE APPLICABLE MUST REMAIN WITHIN DIMENSIONS	CHK'D BY	DATE	MICRO-LOCK PLUS 1.25 W/B DUAL ROW ST SMT EMBOSSED TAPE PKG		
			APPR BY	DATE	PRODUCT CUSTOMER DRAWING			
			TKANEKO	2017/04/03				
			DRAWING SIZE	THIRD ANGLE PROJECTION	SERIES		MATERIAL NUMBER	CUSTOMER
			A3		505433	SEE TABLE	GENERAL	
					DOCUMENT NUMBER	DOC TYPE	DOC PART	SHEET NUMBER
					5054330001	PSD	000	1 OF 1



NOTES

1. 嵌合相手 : 505432\*\*0\*  
MATE WITH : 505432\*\*0\*
2. 端子テール部 及び ネイルの平坦度 : 0.12MAX.  
TAIL AND NAIL COPLANARITY TO BE 0.12 MAX.
3. 極数 / 2 = 偶数に適用。  
APPLY FOR CKT. SIZE / 2 = EVEN.
4. 端子テール部に錫めっきを使用しているため、  
外観に摺動痕が付く場合が御座います。  
THE WOUND OF FRICTION MIGHT ADHERE TO EXTERNALS  
BECAUSE THE TIN PLATING IS USED FOR THE TAIL.
5. 本製品のプラスチック部に黒点等が確認される場合や  
色合いが異なる場合がありますが、製品性能に影響はありません。  
THERE IS NO INFLUENCE IN THE PRODUCT PERFORMANCE THOUGH  
THE BLACK SPOT ETC. MIGHT BE CONFIRMED TO THE PLASTIC PART  
OF THIS PRODUCT AND THE SHADE MIGHT BE DIFFERENT.



6. コネクタの詳細な取り扱いにつきましては、アプリケーション仕様書  
(AS-505432-001, -002)を参照して下さい。  
PLEASE REFER TO THE APPLICATION SPECIFICATION  
(AS-505432-001, -002)  
ABOUT THE DETAILED HANDLING OF THE CONNECTOR.
7. コネクタの仕様につきましては、  
製品仕様書(5054320000PS002)を参照して下さい。  
PLEASE REFER TO THE PRODUCT SPECIFICATION (5054320000PS002)  
ABOUT THE SPECIFICATION OF THE CONNECTOR.
8. オーダー番号と極数、色の関係  
RELATION ORDER NUMBER AND COLOR, CKT.

505433\*\*7\*

極数                      色  
CIRCUIT SIZE            COLOR

NO.	COLOR
0	NATURAL
1	BLACK
2	RED
4	BLUE
6	GREEN

※本製品はカバーテープ無し品です。  
カバーテープ有り品は5054331000PSD000を参照して下さい。  
THIS PRODUCT DON'T HAVE THE COVER TAPE. PLEASE REFER TO  
5054331000PSD000 FOR THE PRODUCT WITH COVER TAPE.

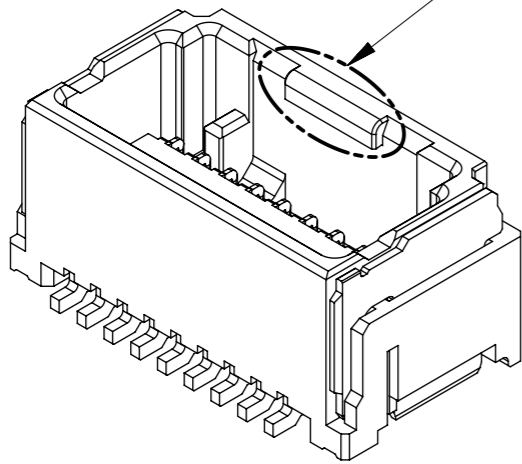
C	B	A	HSG COLOR GREEN	HSG COLOR BLUE	HSG COLOR RED	HSG COLOR BLACK	HSG COLOR NATURAL	極数 CKT. NO
			25	26.25	30.85	5054334276	5054334274	
23.75	25	29.6	5054334076	5054334074	5054334072	5054334071	5054334070	40
22.5	23.75	28.35	5054333876	5054333874	5054333872	5054333871	5054333870	38
21.25	22.5	27.1	5054333676	5054333674	5054333672	5054333671	5054333670	36
20	21.25	25.85	5054333476	5054333474	5054333472	5054333471	5054333470	34
18.75	20	24.6	5054333276	5054333274	5054333272	5054333271	5054333270	32
17.5	18.75	23.35	5054333076	5054333074	5054333072	5054333071	5054333070	30
16.25	17.5	22.1	5054332876	5054332874	5054332872	5054332871	5054332870	28
15	16.25	20.85	5054332676	5054332674	5054332672	5054332671	5054332670	26
13.75	15	19.6	5054332476	5054332474	5054332472	5054332471	5054332470	24
12.5	13.75	18.35	5054332276	5054332274	5054332272	5054332271	5054332270	22
11.25	12.5	17.1	5054332076	5054332074	5054332072	5054332071	5054332070	20
10	11.25	15.85	5054331876	5054331874	5054331872	5054331871	5054331870	18
8.75	10	14.6	5054331676	5054331674	5054331672	5054331671	5054331670	16
7.5	8.75	13.35	5054331476	5054331474	5054331472	5054331471	5054331470	14
6.25	7.5	12.1	5054331276	5054331274	5054331272	5054331271	5054331270	12
5	6.25	10.85	5054331076	5054331074	5054331072	5054331071	5054331070	10
3.75	5	9.6	5054330876	5054330874	5054330872	5054330871	5054330870	8
			エンボス梱包 EMBOSSED TAPE PACKAGE オーダー番号 ORDER NO.	エンボス梱包 EMBOSSED TAPE PACKAGE オーダー番号 ORDER NO.	エンボス梱包 EMBOSSED TAPE PACKAGE オーダー番号 ORDER NO.	エンボス梱包 EMBOSSED TAPE PACKAGE オーダー番号 ORDER NO.	エンボス梱包 EMBOSSED TAPE PACKAGE オーダー番号 ORDER NO.	

PART	材質 MATERIAL
ハウジング HOUSING	ポリアミド(PA) UL94V-0 色 : 表参照 POLY AMIDE(PA) UL94V-0 COLOR : SEE CHART
ターミナル 及び ネイル TERM AND NAIL	黄銅 BRASS 錫ビスマスめっき : 1.0 micro-meter MIN. TIN-BISMUTH PLATED ニッケルめっき (下地) : 1.0 micro-meter MIN. NICKEL (UNDER PLATING)

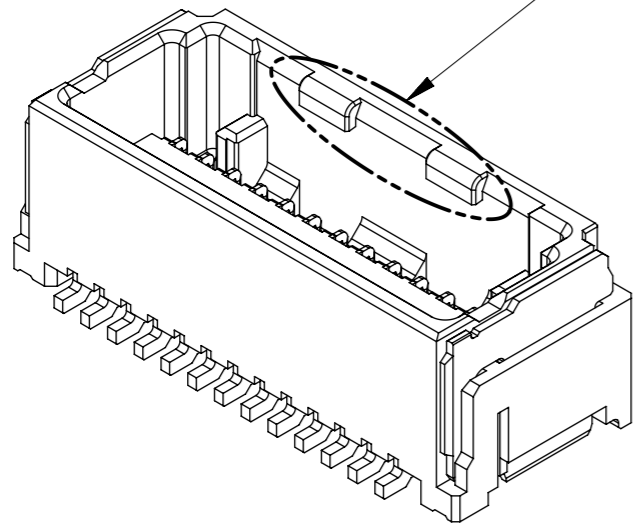
THIS DRAWING CONTAINS INFORMATION THAT IS PROPRIETARY TO MOLEX ELECTRONIC TECHNOLOGIES, LLC AND SHOULD NOT BE USED WITHOUT WRITTEN PERMISSION

RELEASED EC NO: 112331 DRWN: TAKAIKE CHK'D: KOMURAKAMI REV APPR: TKANEKO	GENERAL TOLERANCES (UNLESS SPECIFIED)		DIMENSION UNITS	SCALE		
	ANGULAR TOL ± 3.0 °		MM	4:1		
	4 PLACES ± 0.2	3 PLACES ± 0.2	DRWN BY	DATE		
	2 PLACES ± 0.2	1 PLACE ± 0.2	TAKAIKE	2017/02/10		
0 PLACES ± 0.2		CHK'D BY	DATE	PRODUCT CUSTOMER DRAWING		
		APPR BY	DATE	SERIES MATERIAL NUMBER CUSTOMER		
		TKANEKO	2017/04/03	505433	SEE TABLE	GENERAL
		DRAFT WHERE APPLICABLE MUST REMAIN WITHIN DIMENSIONS	DRAWING SIZE	THIRD ANGLE PROJECTION	DOCUMENT NUMBER	DOC TYPE DOC PART SHEET NUMBER
			A3		5054330002	PSD 000 1 OF 2

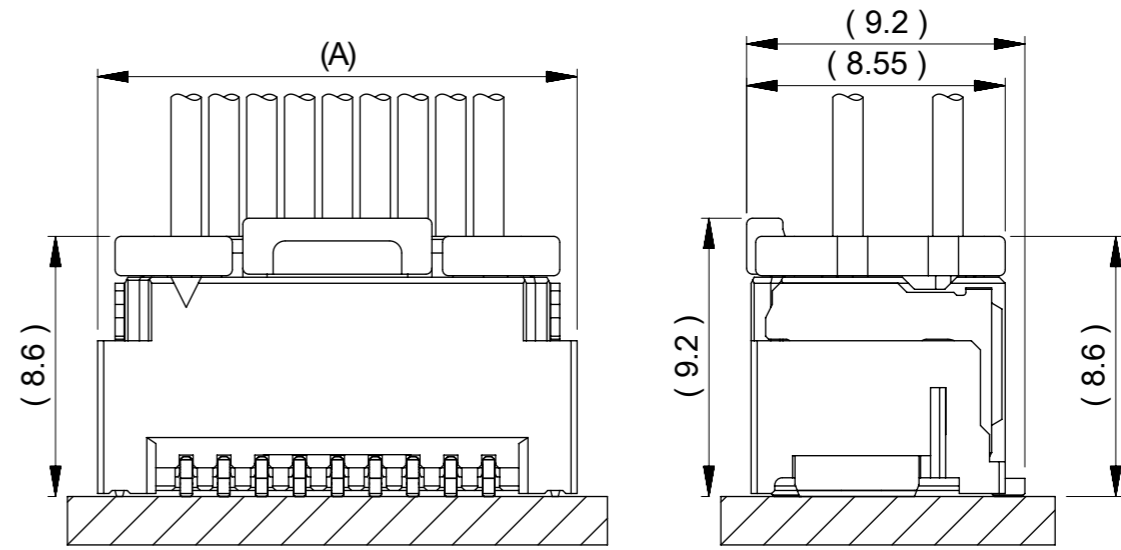
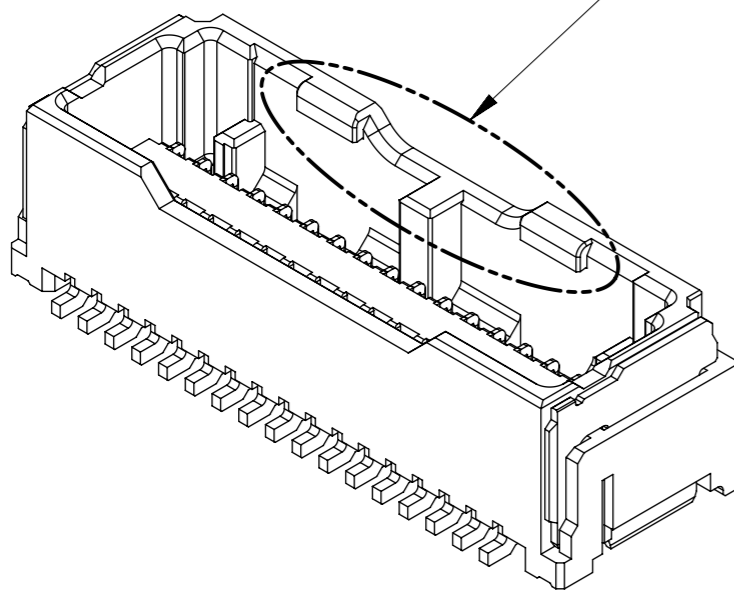
8-24 CKT. 係止形状  
LOCK SHAPE OF 8-24 CKT.



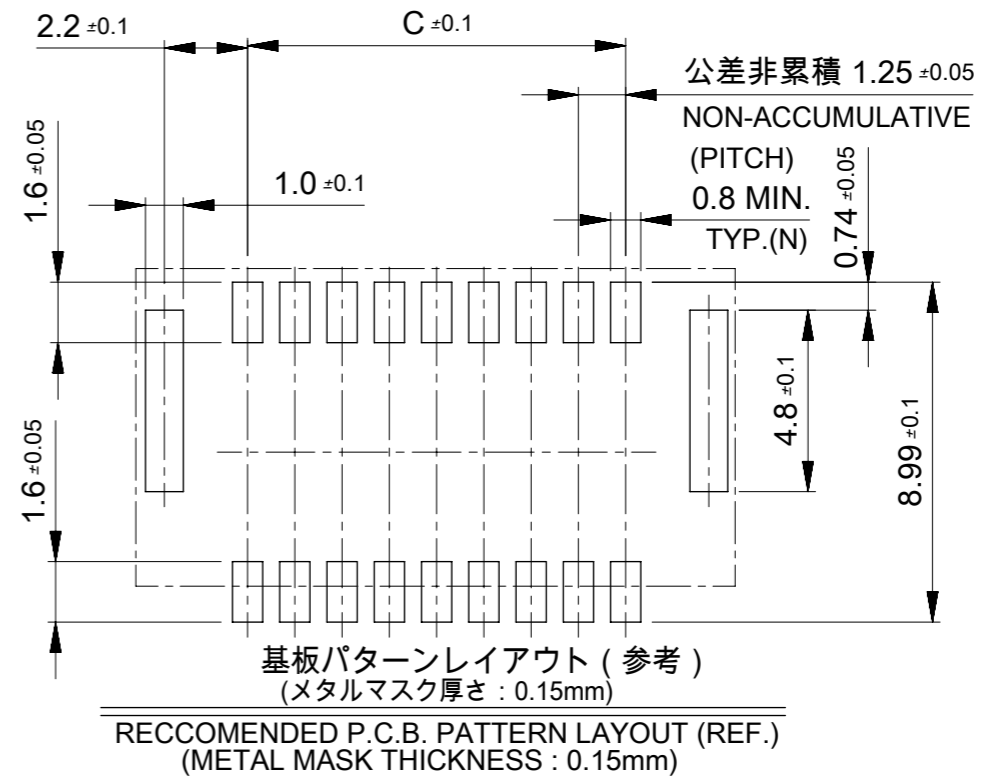
26-32 CKT. 係止形状  
LOCK SHAPE OF 26-32 CKT.



34-42 CKT. 係止形状  
LOCK SHAPE OF 34-42 CKT.



嵌合状態図  
MATED CONNECTORS



THIS DRAWING CONTAINS INFORMATION THAT IS PROPRIETARY TO MOLEX ELECTRONIC TECHNOLOGIES, LLC AND SHOULD NOT BE USED WITHOUT WRITTEN PERMISSION

EC NO: 112331 DRWN: TAKAIKE CHK'D: KOMURAKAMI APPR: TKANEKO	2017/02/10 2017/03/30 2017/04/03	GENERAL TOLERANCES (UNLESS SPECIFIED)		DIMENSION UNITS <b>MM</b>	SCALE 4:1			
	ANGULAR TOL ± 3.0 °		DRWN BY TAKAIKE	DATE 2017/02/10	MICRO-LOCK PLUS 1.25 W/B DUAL ROW ST SMT PLUG ASSY			
	4 PLACES ± 0.2	3 PLACES ± 0.2	CHK'D BY KOMURAKAMI	DATE 2017/03/30				PRODUCT CUSTOMER DRAWING
	2 PLACES ± 0.2	1 PLACE ± 0.2	APPR BY TKANEKO	DATE 2017/04/03	SERIES 505433	MATERIAL NUMBER SEE TABLE	CUSTOMER GENERAL	
	0 PLACES ± 0.2	DRAFT WHERE APPLICABLE MUST REMAIN WITHIN DIMENSIONS	DRAWING SIZE <b>A3</b>	THIRD ANGLE PROJECTION 	DOCUMENT NUMBER 5054330002	DOC TYPE PSD	DOC PART 000	SHEET NUMBER 2 OF 2