

10120128 - X0C - XXXLF

6-COLUMN DIFFERENTIAL SIGNAL

LEAD-FREE DESIGNATION ONLY WITH APPLICABLE PLATING CODES

LETTER	PLATING (SEE NOTE 6)	
	APPLICATION	TYPE (REFERENCE)
B	TELCORDIA CO	0.76um GOLD or GXT
C	TELCORDIA UE	1.27um GOLD
D	TELCORDIA CO	0.76um GOLD or GXT, LEAD-FREE
E	TELCORDIA UE	1.27um GOLD, LEAD-FREE

NUMBER	GUIDE PIN STYLE (SEE NOTE 8)
0	STANDARD GUIDE PIN, MACHINED
1	STANDARD GUIDE PIN, ROLLED

NUMBER	CONTACT MATING WIPE LENGTH		COMPLIANT TAIL TYPE (SEE NOTE 9)
	SIGNAL	GROUND	
1	2 MM	4 MM	0.55 (0.0217") DRILL
2	3 MM	4 MM	0.55 (0.0217") DRILL
3	2 MM	4 MM	0.45 MICRO (0.0177") DRILL
4	3 MM	4 MM	0.45 MICRO (0.0177") DRILL
5	2 MM	3 MM	0.55 (0.0217") DRILL
6	3 MM	3 MM	0.55 (0.0217") DRILL
7	2 MM	3 MM	0.45 MICRO (0.0177") DRILL
8	3 MM	3 MM	0.45 MICRO (0.0177") DRILL

FOR CUSTOM-LOADED MODULES, SEE INDIVIDUAL CUSTOM DRAWINGS WITH THE DRAWING-NUMBER FORMAT OF 10120128-XXXX, WHERE: "X" DENOTES MODULE TYPE PER CHART ON THIS SHEET "YYYY" IS A SEQUENTIAL NUMBER BEGINNING WITH "0001".

MODULE DESCRIPTION	LETTER DESIGNATION REPRESENTED IN DASH NUMBER										BASE MODULE
	N	J	A	B	C	D	E	F	G	H	
LEFT POLARIZING GUIDANCE MODULE (SEE SHEET 6) NO KEY NO GUIDE PIN	NO KEY										
RIGHT POLARIZING GUIDANCE MODULE (SEE SHEET 7) NO KEY NO GUIDE PIN	NO KEY										
OPEN MODULE (TWO WALL) (SEE SHEET 2)	0 (ZERO)										
LEFT WALL MODULE (SEE SHEET 3)	L										
RIGHT WALL MODULE (SEE SHEET 4)	M										
FOUR WALL MODULE (SEE SHEET 5)	1 (ONE)										

	UNGROUND	GROUND
FHS	Ø2.35-Ø2.55	Ø2.35-Ø2.55
PAD	N/A	Ø5.50
PLATED	NO	YES
DRILL (mm)	2.44mm	2.58mm
DRILL (in)	0.096"	0.1015"

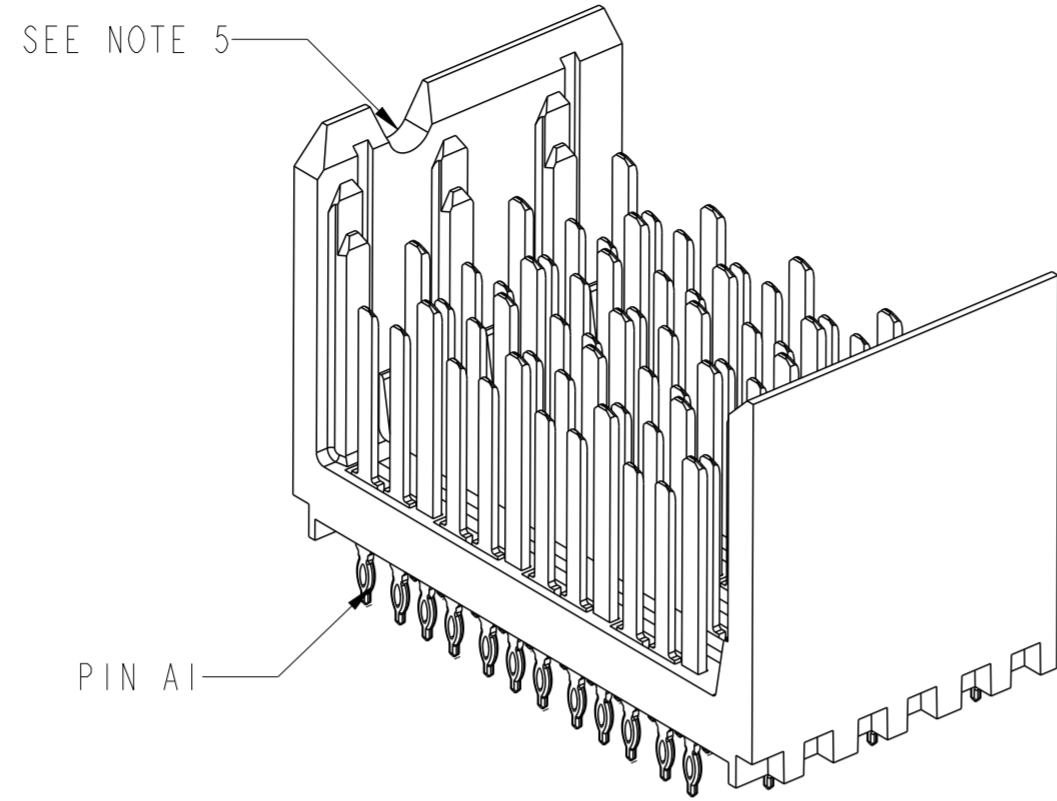
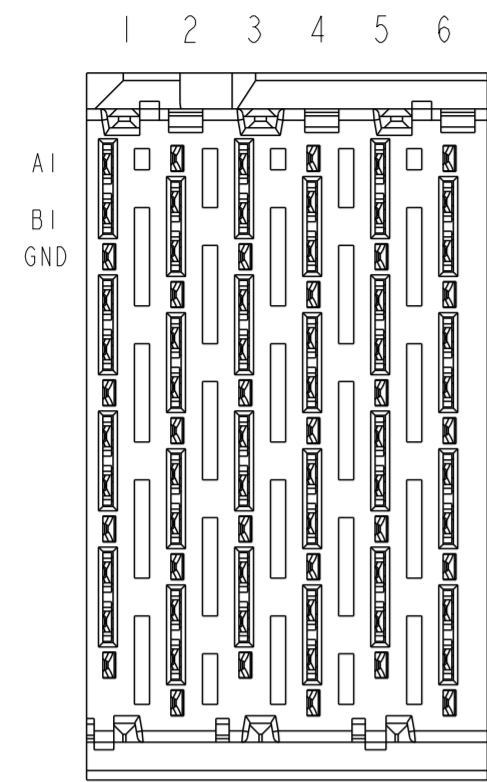
SCREW P/N	DESCRIPTION	BOARD THICKNESS
10091790-002LF	#2-56 X 0.375" LG. PHILIPS PANHEAD W/SQ CONICAL WASHER	1.60-5.00mm
10091790-003LF	#2-56 X 0.375" LG. PHILIPS PANHEAD W/SQ CONICAL WASHER	5.00-10.00mm

spec ref	TOLERANCES UNLESS OTHERWISE SPECIFIED		
tolerance std	TOLERANCES UNLESS OTHERWISE SPECIFIED		
ISO 406	0.X	±0.3	
ISO 1101	0.XX	±0.10	
surface	linear	0.XXX	±0.050
ISO 1302	angular	0°	±2°

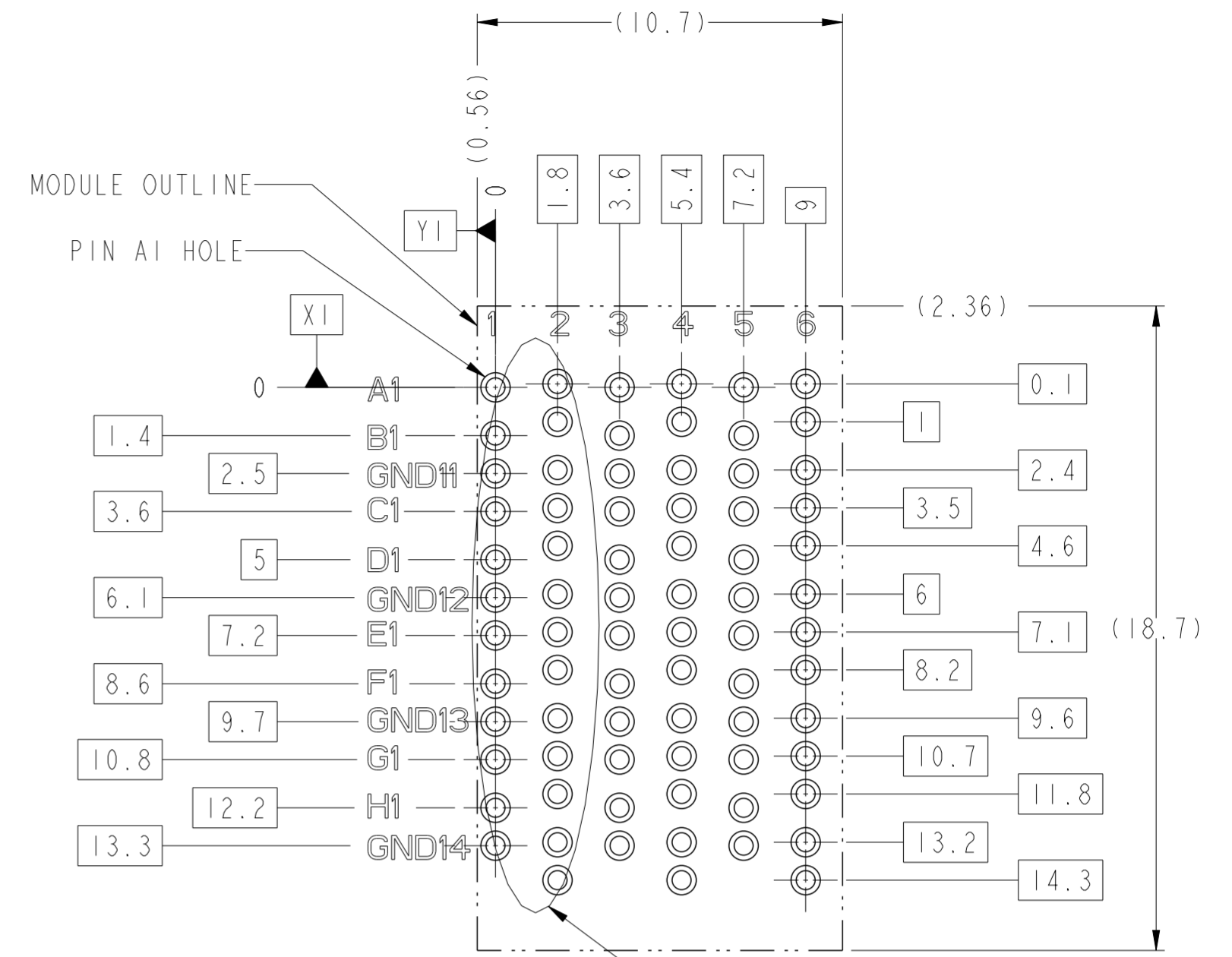
dr	Yong-Keat Lim	2012/03/01	projection	mm	size	A2	scale	1:1
eng	Sandar Soe	2016/03/08		mm	ecn no	ELX-S-17624-1		
chr	-	-	product family	-	rel level	Released		
appr	Chen-Hong Tan	2016/03/17						
Amphenol FCI		MODULE ASSEMBLY, XCEDE HD		cat. no.	10120128	rev	C	
www.fci.com		Vertical Header, 4 Pair 6 Column		Product - Customer Drw		sheet 1 of 8		

Amphenol FCI

© 2016 AFCI



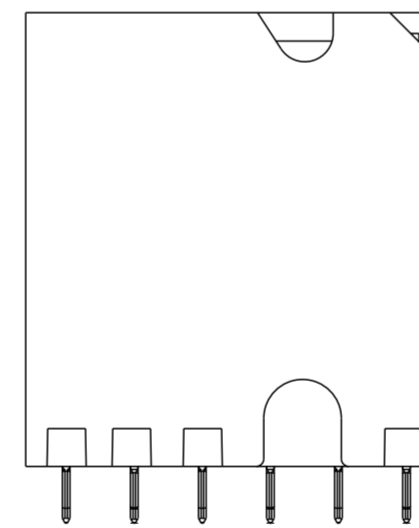
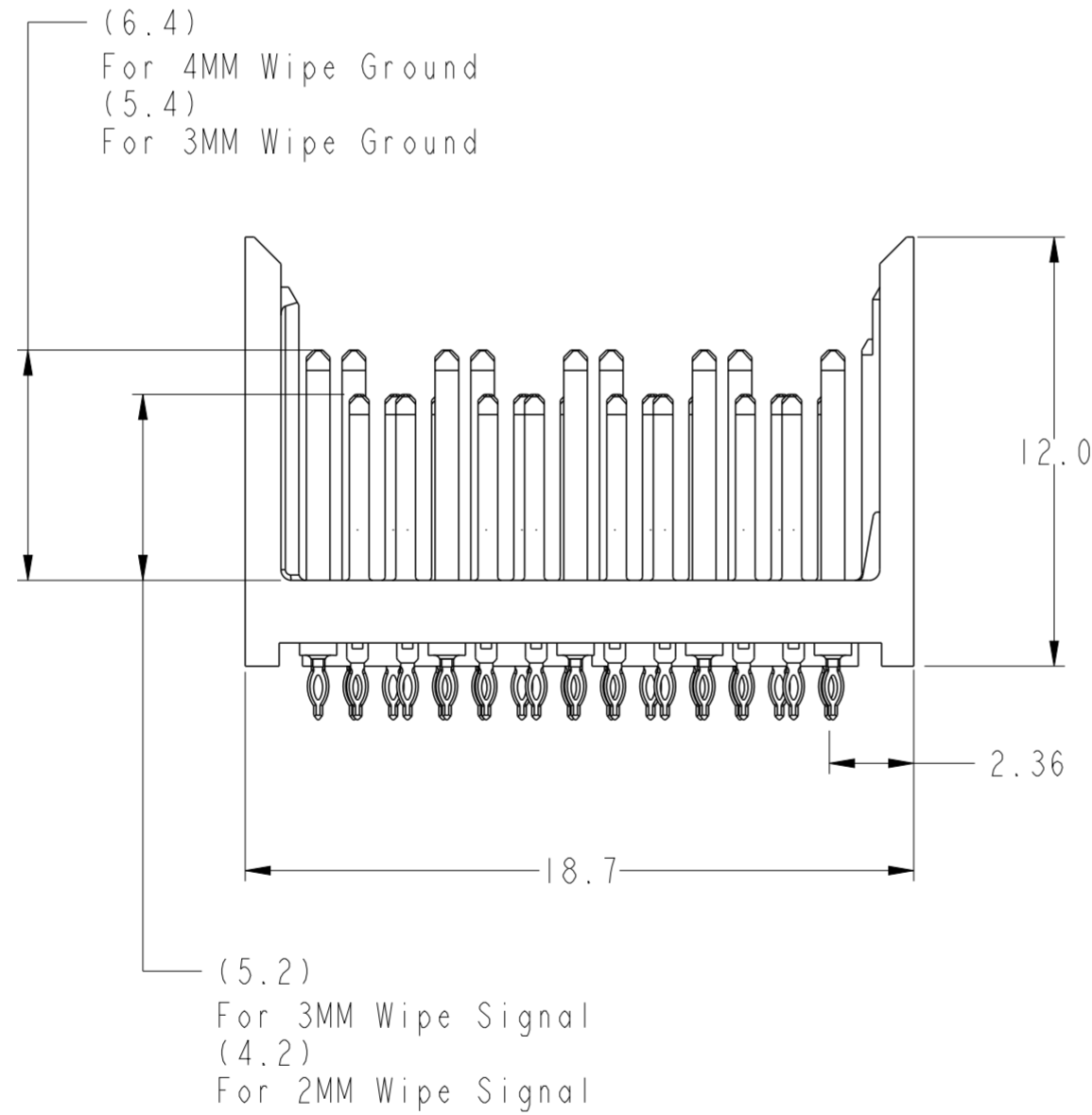
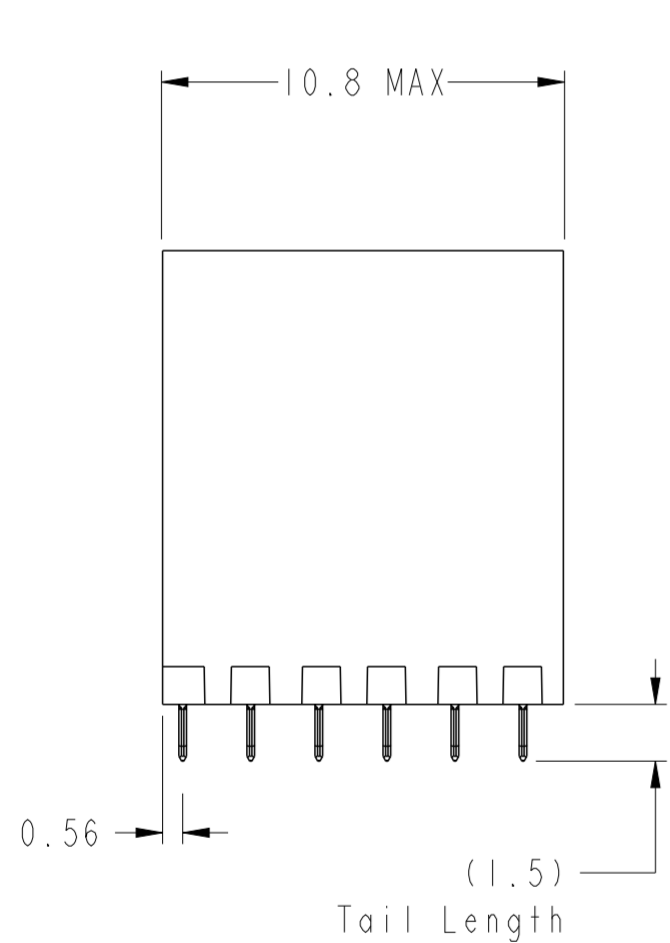
OPEN WALL MODULE



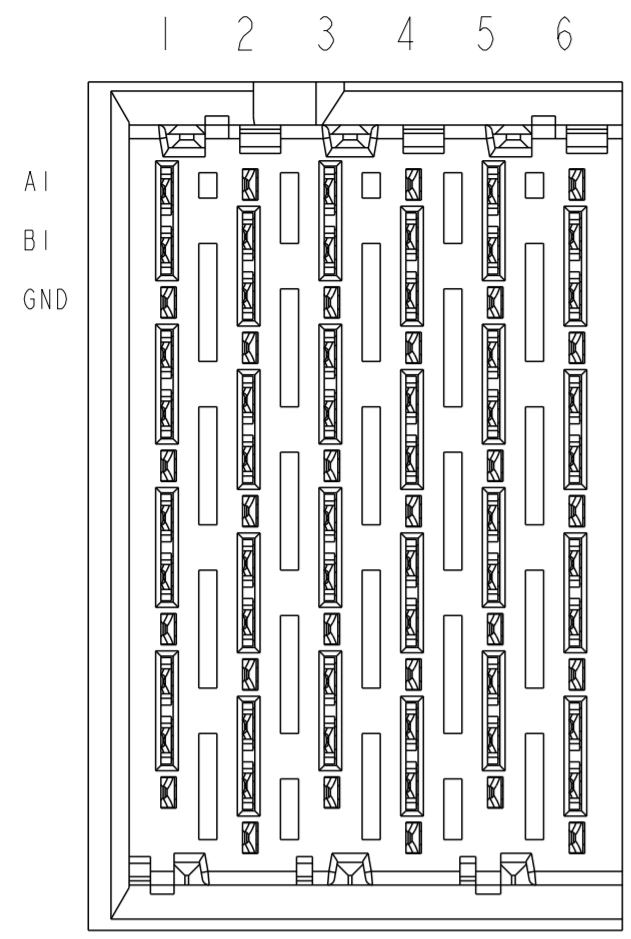
SEE DETAIL A ON SHEET 8 FOR DETAILS

BP HOLE PATTERN COMPONENT SIDE

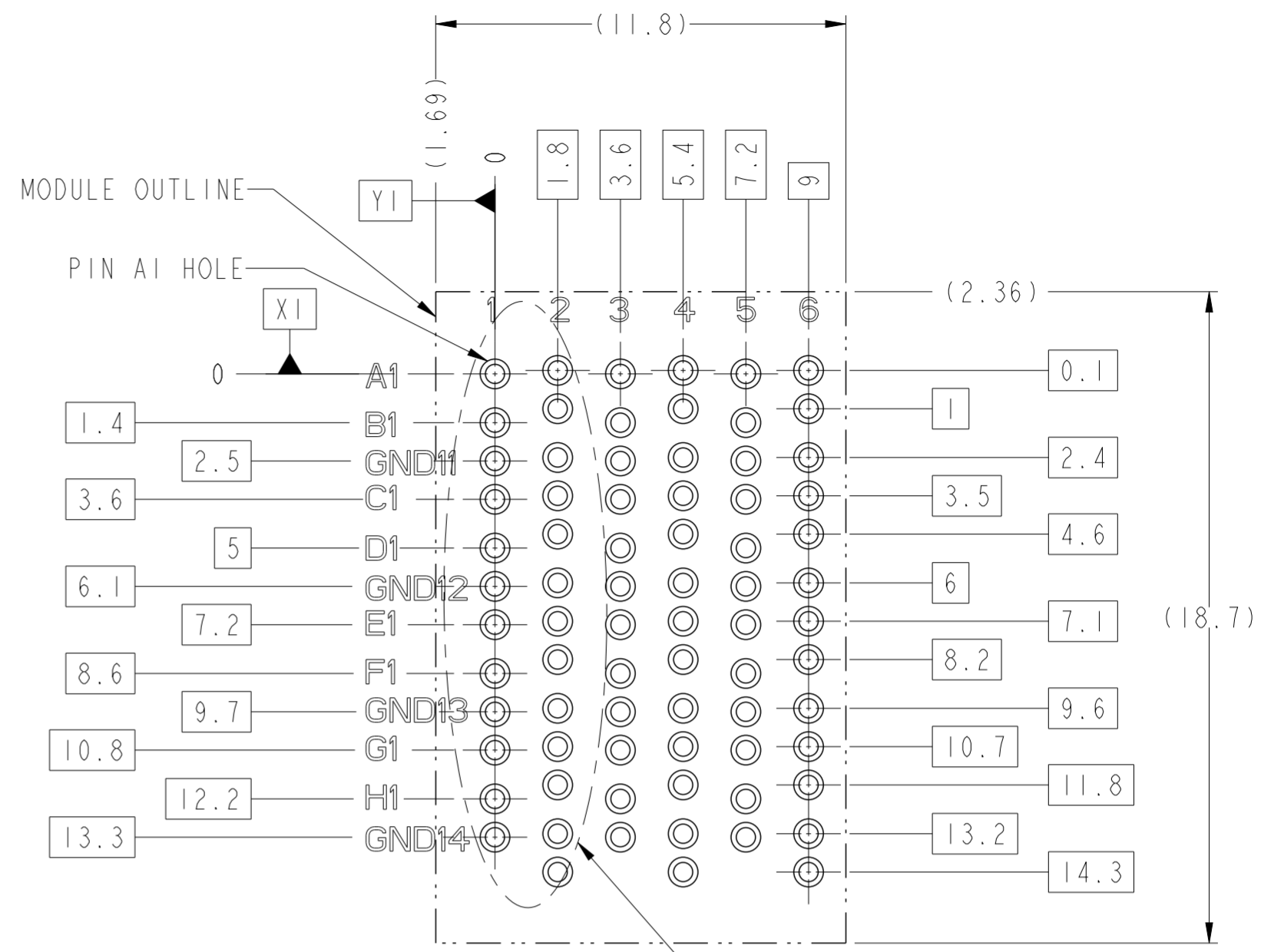
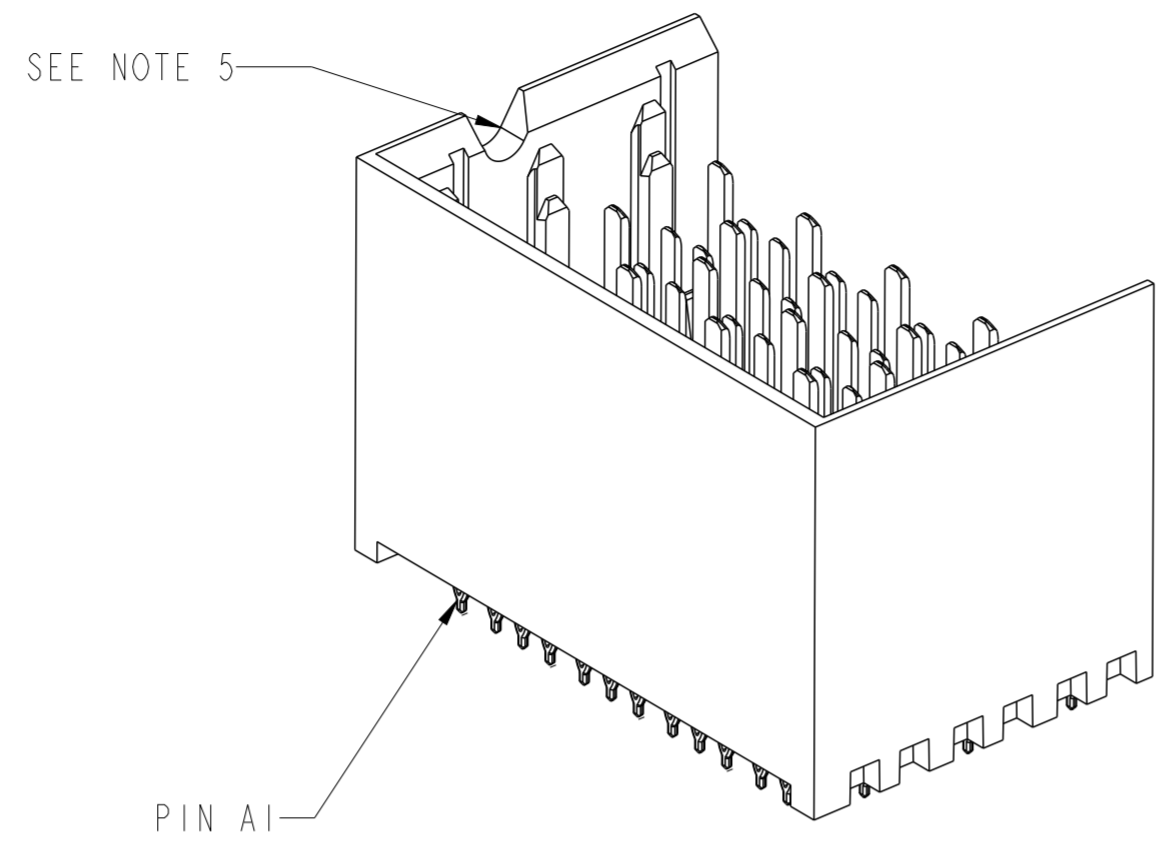
OPEN WALL MODULE BACKPLANE FOOTPRINT



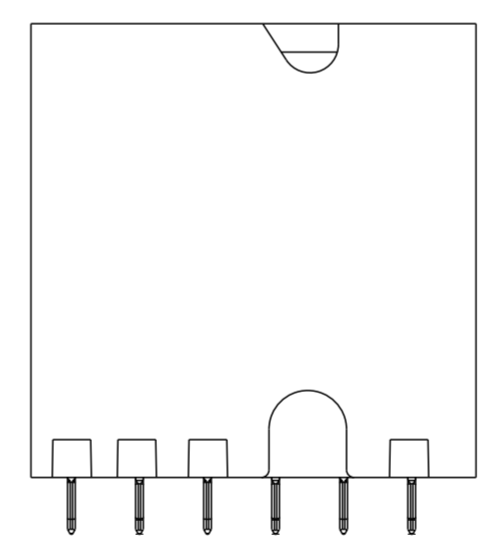
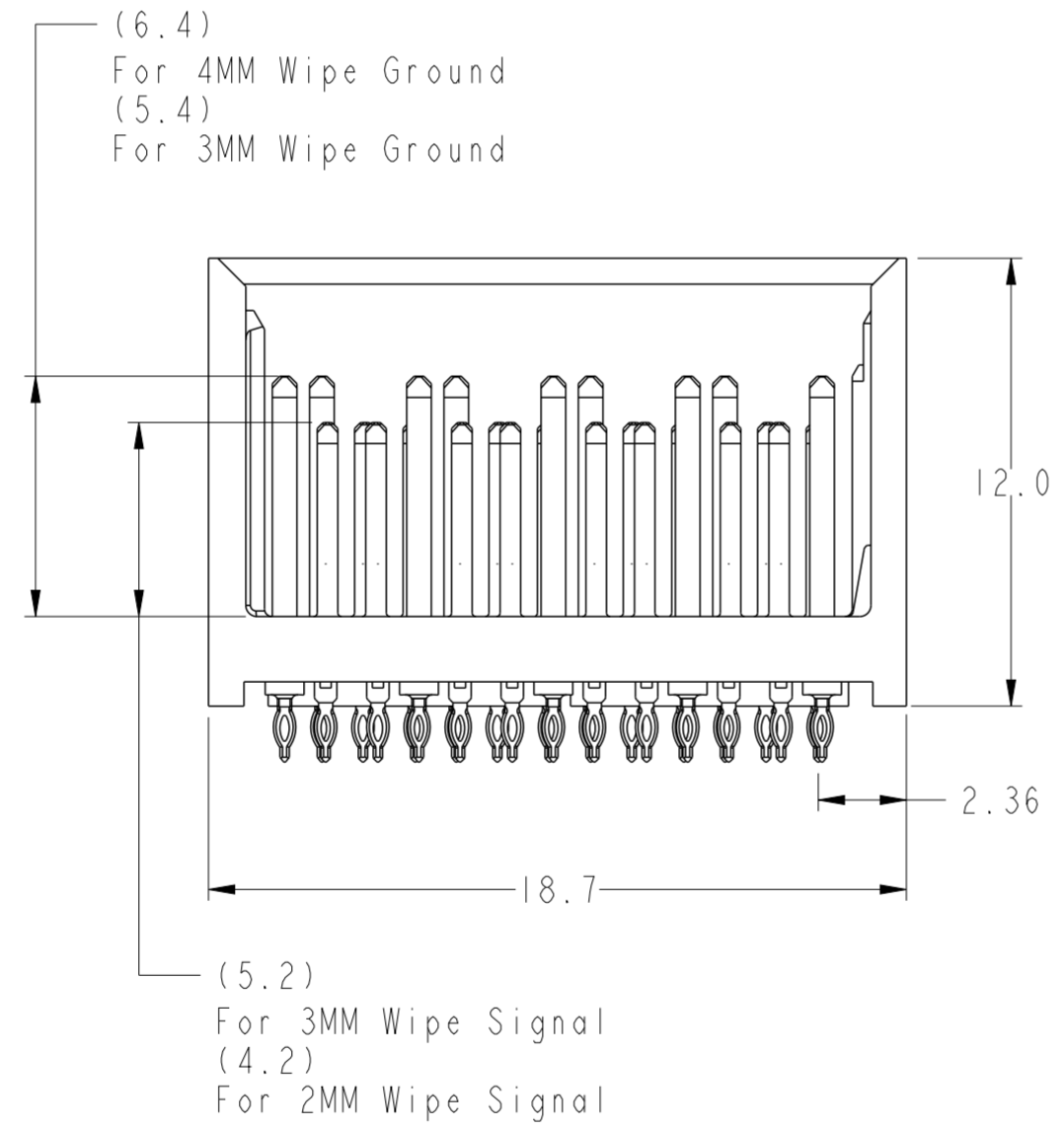
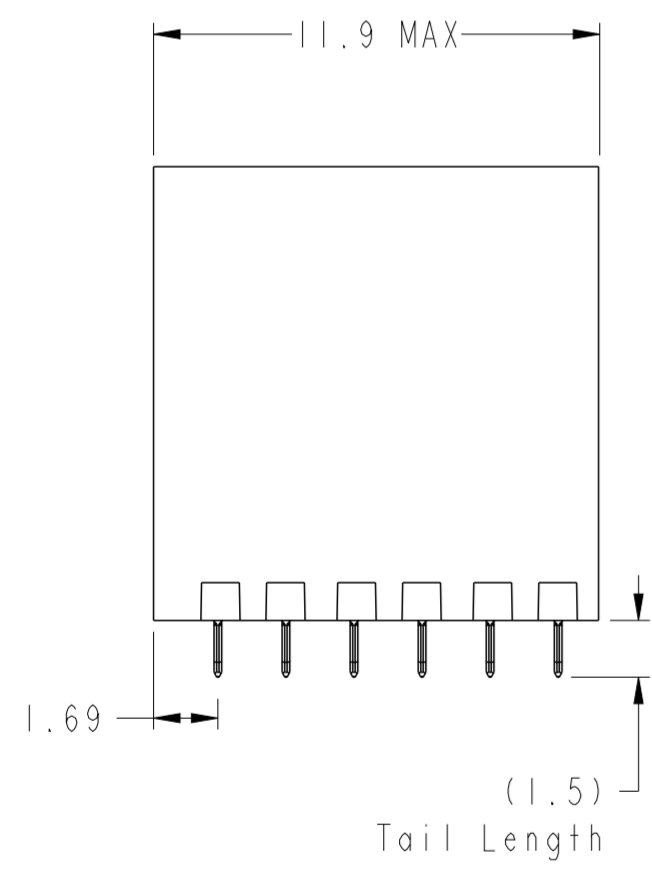
spec ref	-	dr	Yong-Keat Lim	2012/03/01	projection	mm	size	A2	scale	2:1	
tolerance std	ISO 406 ISO 1101	eng	Sandar Soe	2016/03/08		mm	ecn no	ELX-S-17624-1	rel level	Released	
TOLERANCES UNLESS OTHERWISE SPECIFIED		chr	-	appr							Chen-Hong Tan
surface	ISO 1302	linear	0.X	±0.3		MODULE ASSEMBLY, XCEDE HD Vertical Header, 4 Pair 6 Column	cat. no.	Product - Customer Drw	sheet 2 of 8	rev	C
		angular	0°	±2°						dwg no	10120128



LEFT WALL MODULE



BP HOLE PATTERN COMPONENT SIDE
LEFT WALL MODULE BACKPLANE FOOTPRINT



Amphenol
FCi

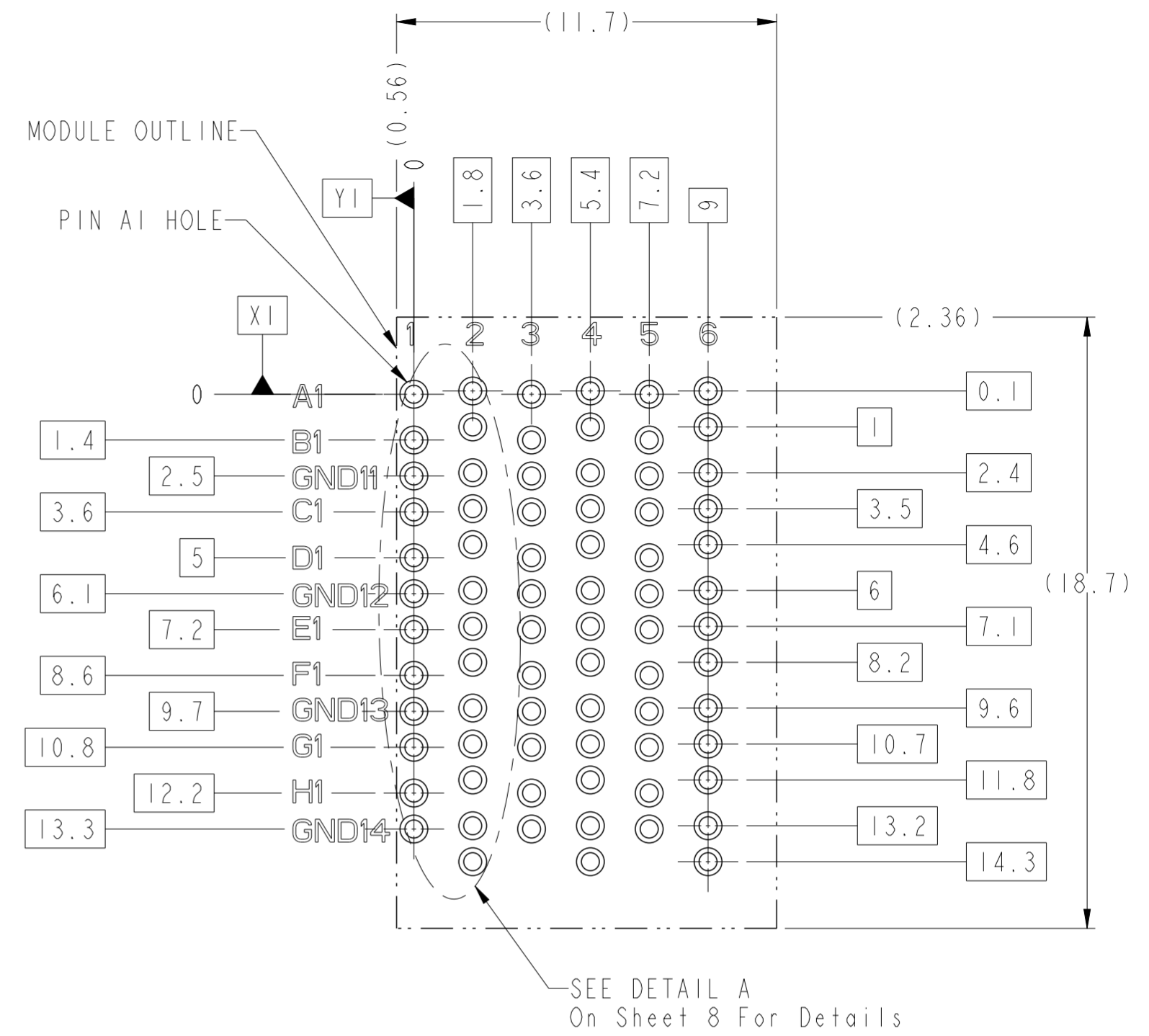
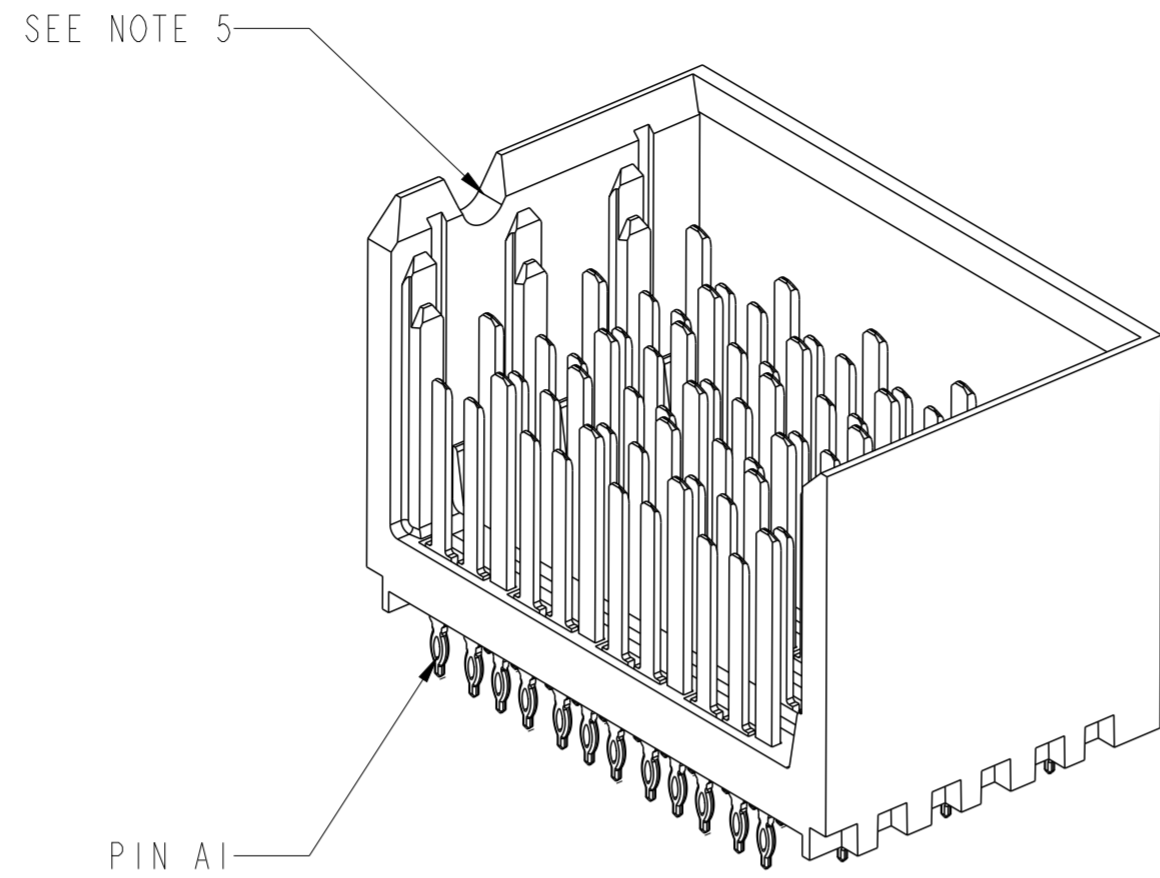
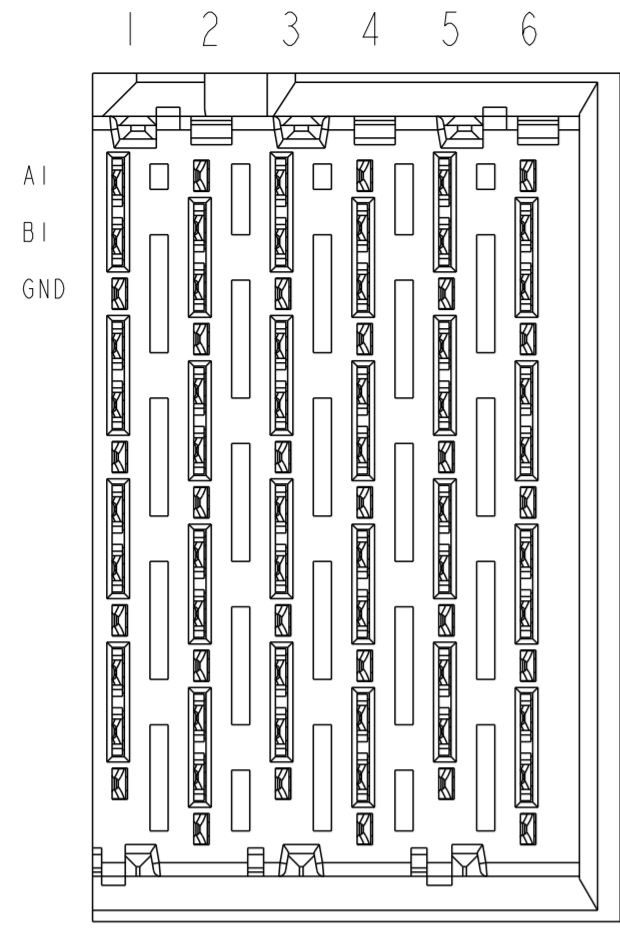
© 2016 AFci

spec ref	-	dr	Yong-Keat Lim	2012/03/01	projection	mm	size	A2	scale	2:1
tolerance std	ISO 406 ISO 1101	eng	Sandar Soe	2016/03/08		mm	ecn no	ELX-S-17624-1	rel level	Released
TOLERANCES UNLESS OTHERWISE SPECIFIED		chr	-	appr						
surface	ISO 1302	linear	0.X	±0.3			title	MODULE ASSEMBLY, XCEDE HD	dwg no	10120128
		angular	0°	±2°	www.fci.com		cat. no.	-	Product - Customer Drw	sheet 3 of 8

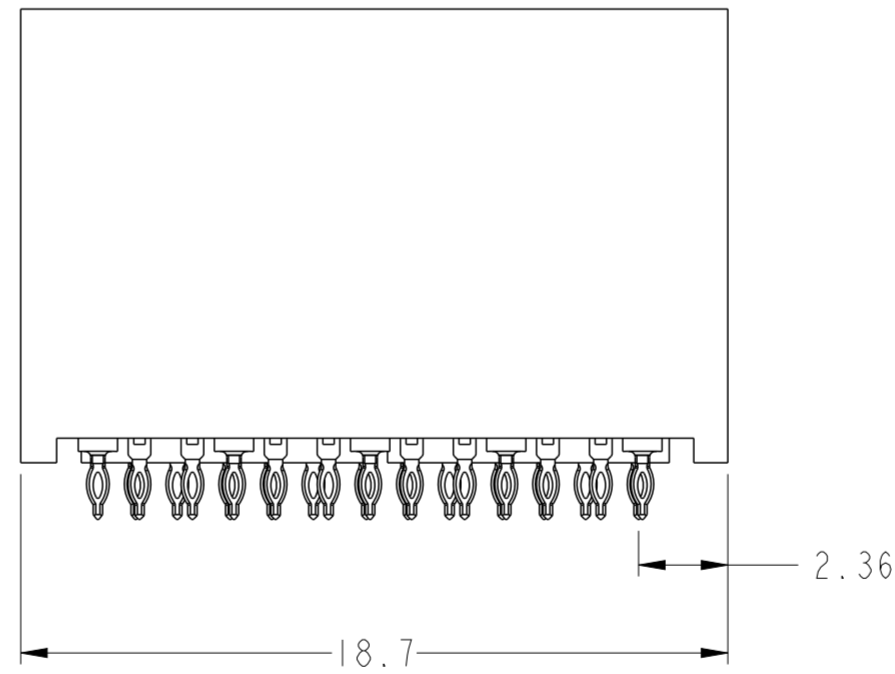
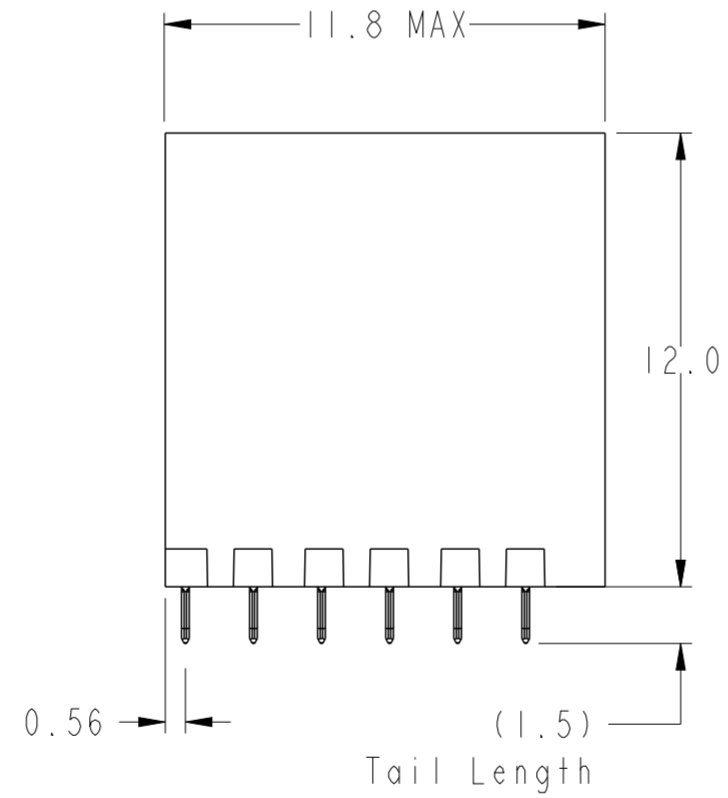
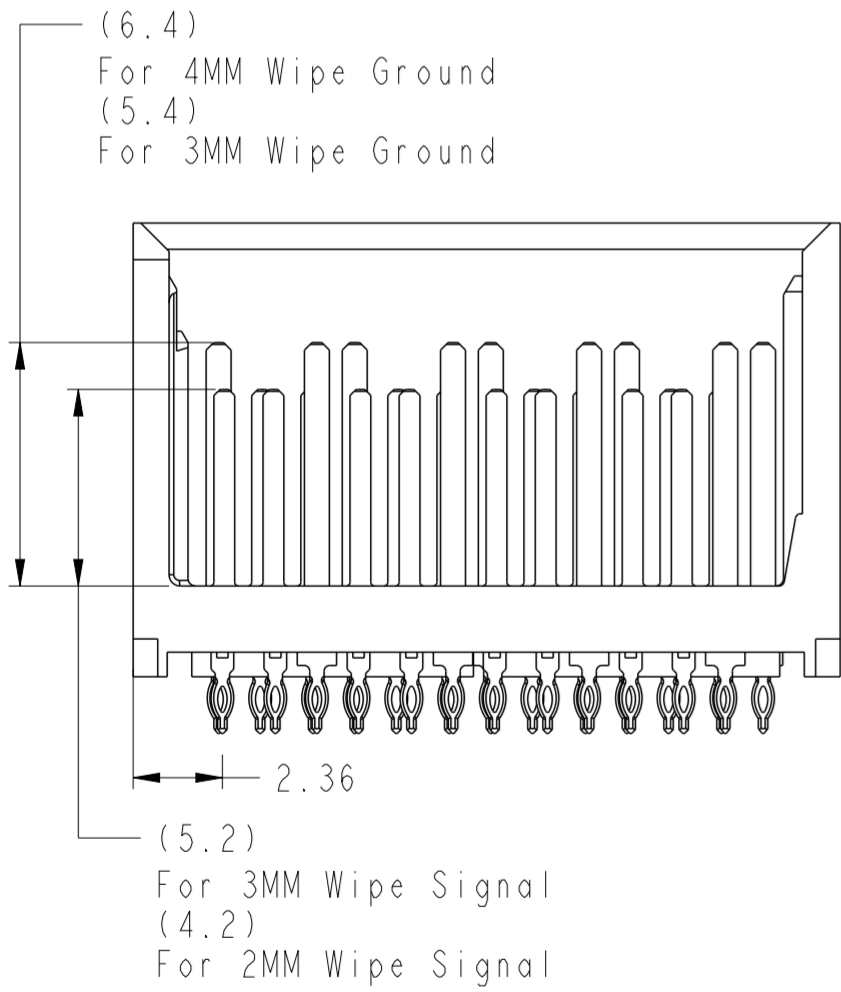
PDS: Rev :C

STATUS:Released

Printed: Mar 17, 2016

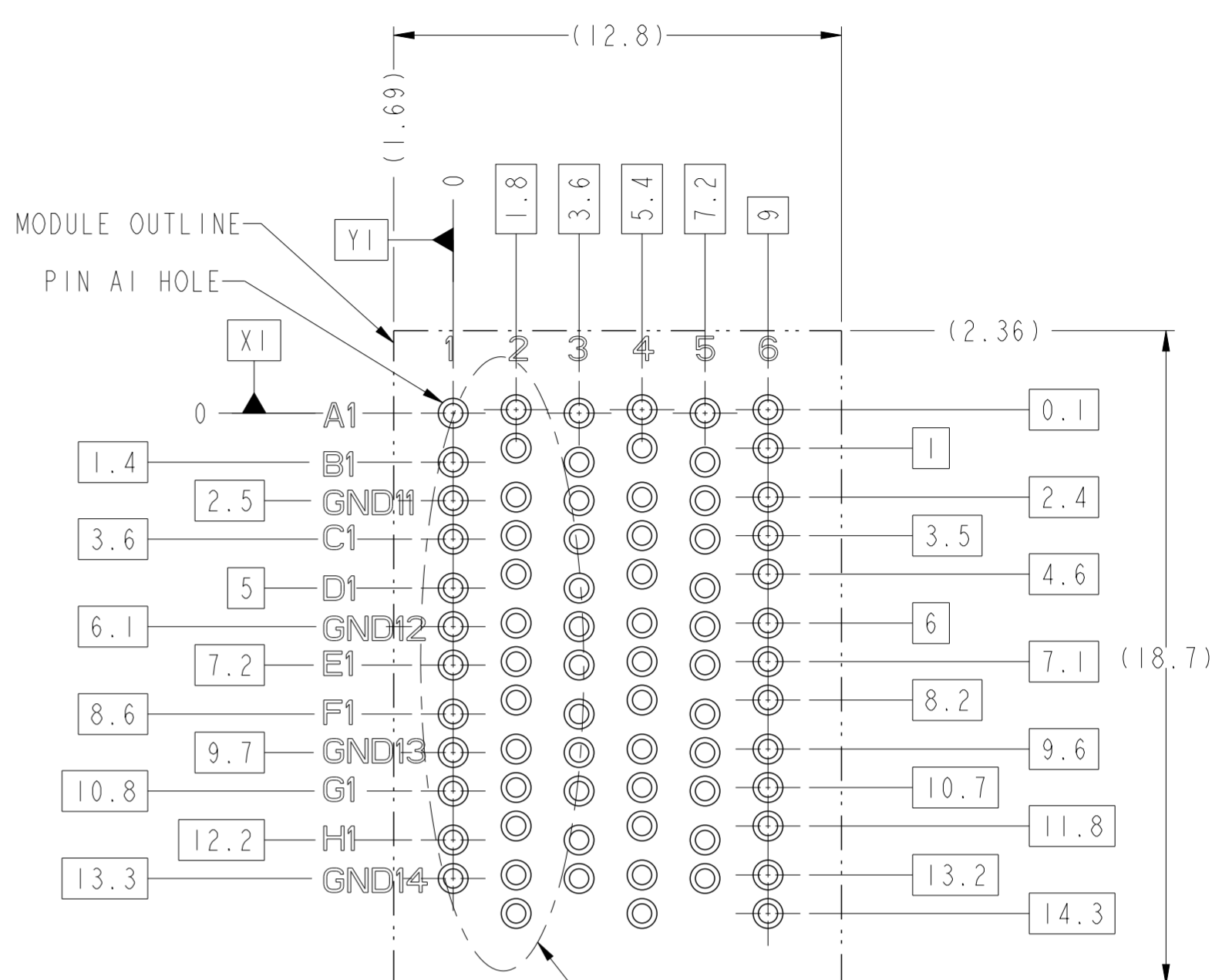
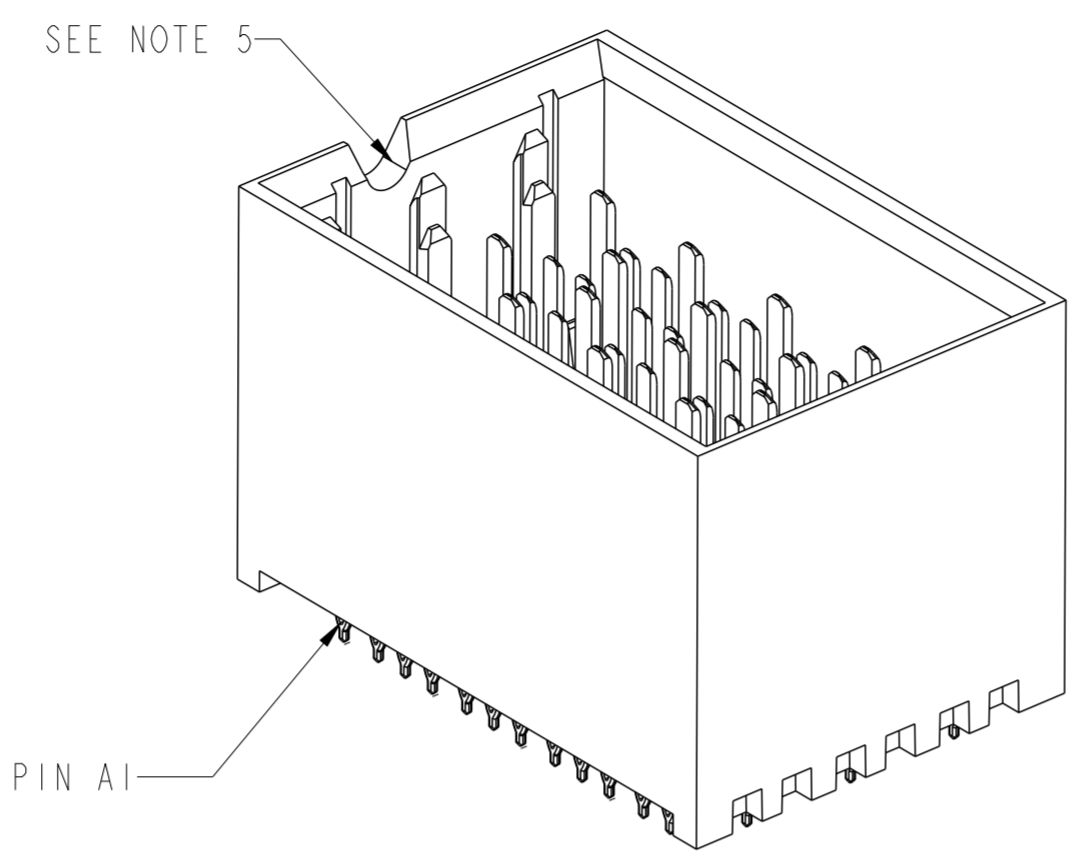
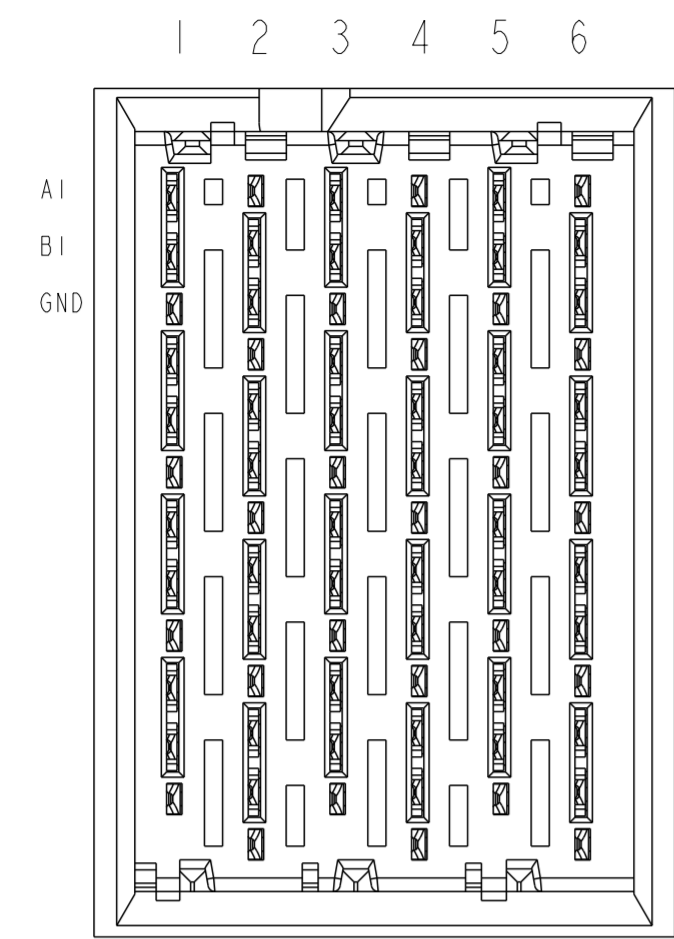


RIGHT WALL MODULE



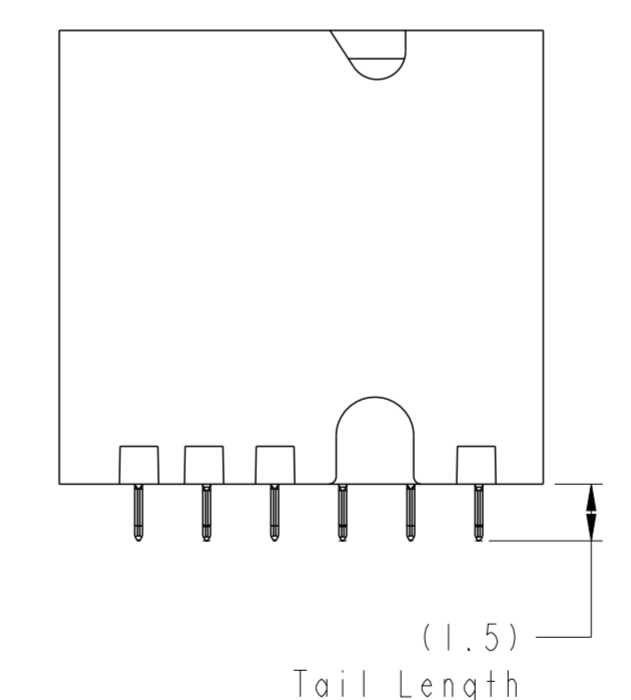
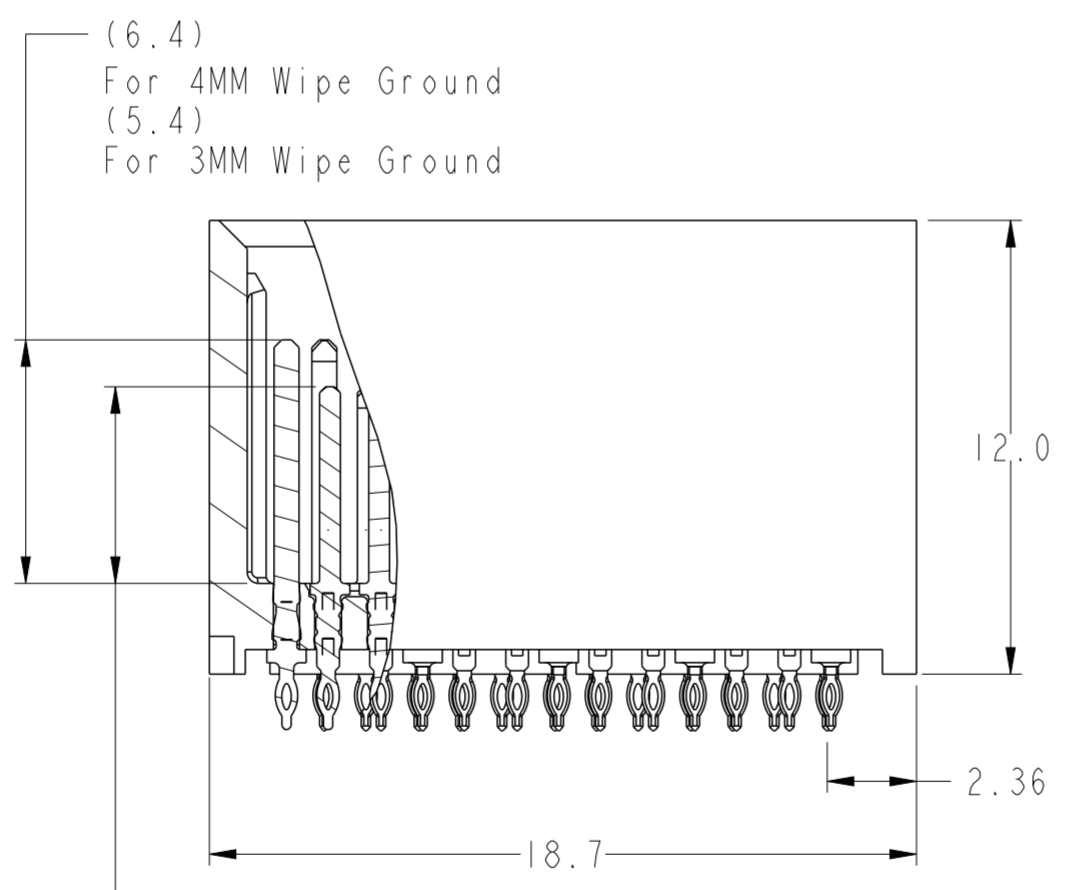
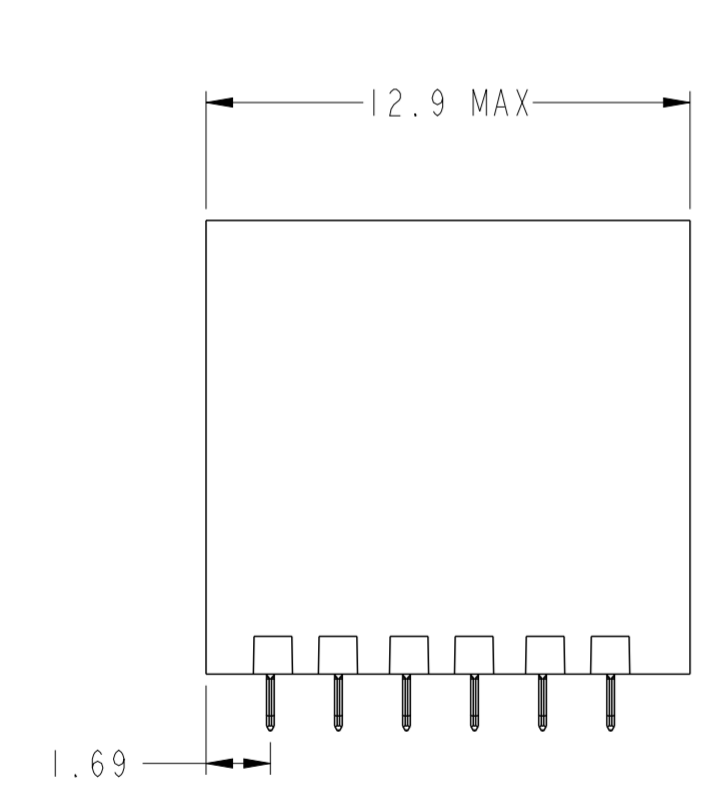
**BP HOLE PATTERN COMPONENT SIDE
RIGHT WALL MODULE BACKPLANE FOOTPRINT**

spec ref	-	dr	Yong-Keat Lim	2012/03/01	projection	mm	size	A2	scale	2:1
tolerance std	ISO 406 ISO 1101	eng	Sandar Soe	2016/03/08		mm	ecn no	ELX-S-17624-1	rel level	Released
TOLERANCES UNLESS OTHERWISE SPECIFIED		chr	-	appr						
surface	ISO 1302	linear	0.X	±0.3			title	MODULE ASSEMBLY, XCEDE HD	dwg no	10120128
		angular	0°	±2°	www.fci.com	cat. no.	Product - Customer Drw	sheet 4 of 8	rev	C

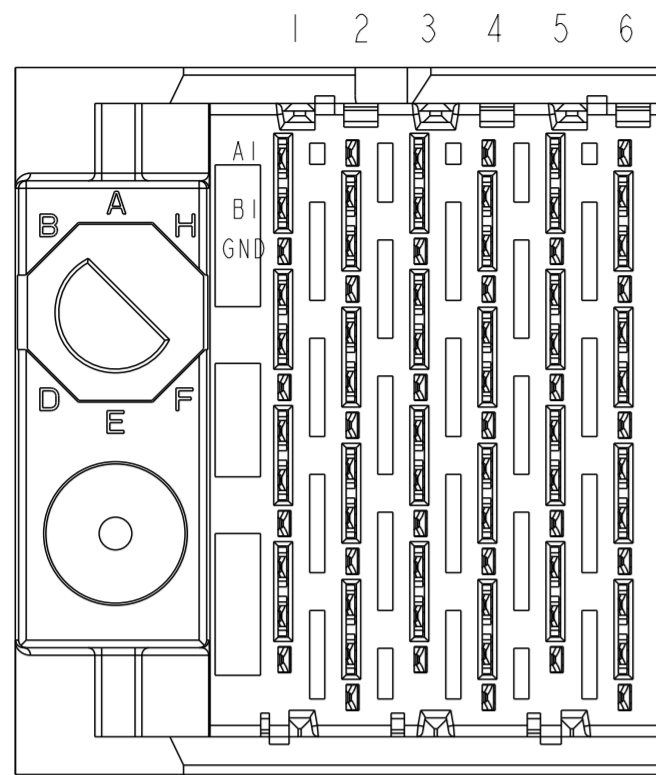


△ FOUR WALL MODULE

BP HOLE PATTERN COMPONENT SIDE
△ FOUR WALL MODULE BACKPLANE FOOTPRINT

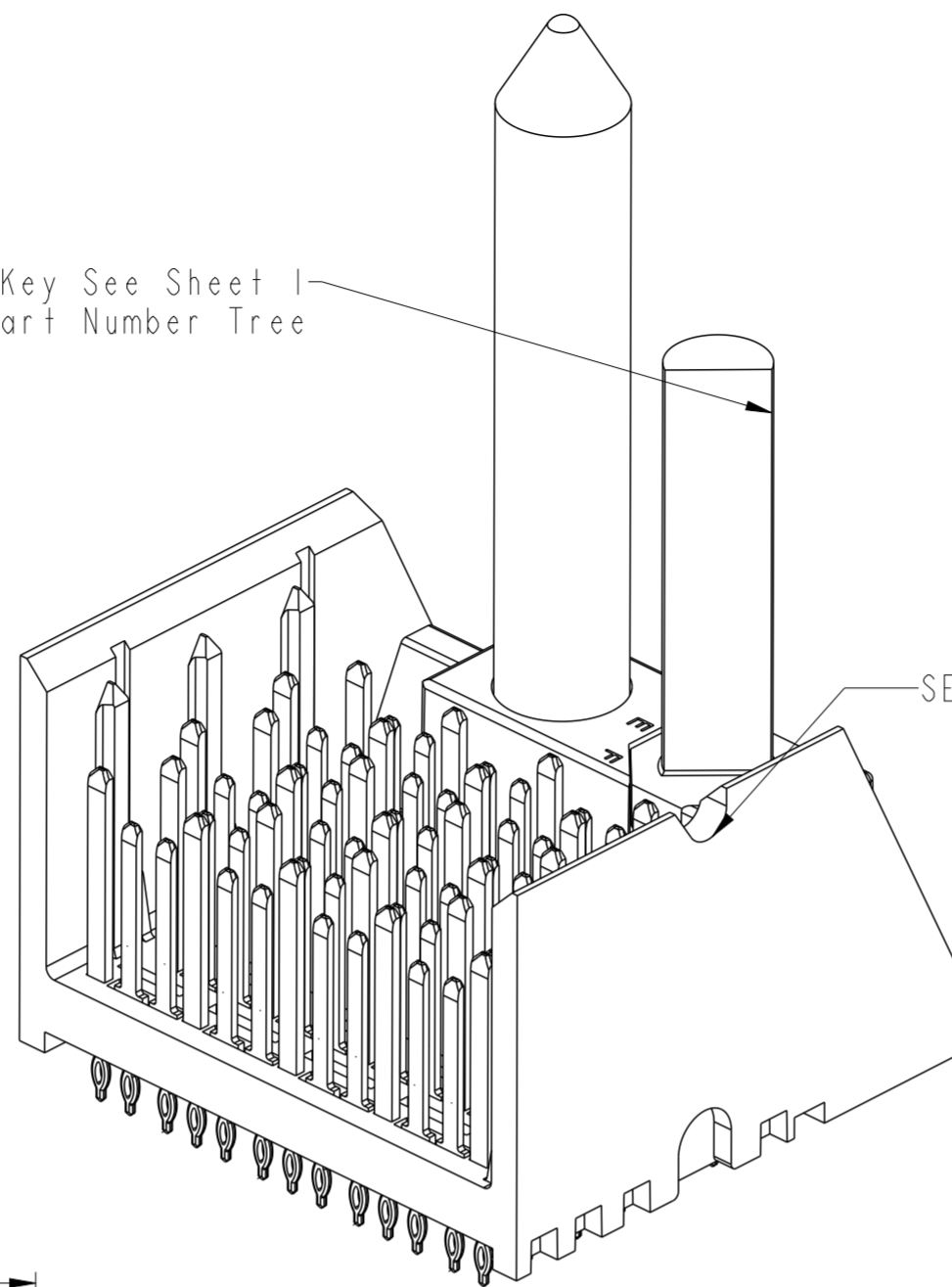


spec ref	-	dr	Yong-Keat Lim	2012/03/01	projection	mm	size	A2	scale	2:1
tolerance std	ISO 406 ISO 1101	eng	Sandar Soe	2016/03/08		mm	ecn no	ELX-S-17624-1	rel level	Released
TOLERANCES UNLESS OTHERWISE SPECIFIED		chr	-	appr						
surface	ISO 1302	linear	0.X	±0.3	0.XX	±0.10	0.XXX	±0.050	Amphenol FCI MODULE ASSEMBLY, XCEDE HD Vertical Header, 4 Pair 6 Column www.fci.com	
		angular	0°	±2°	cat. no.	-	Product - Customer Drw	sheet 5 of 8	rev	C

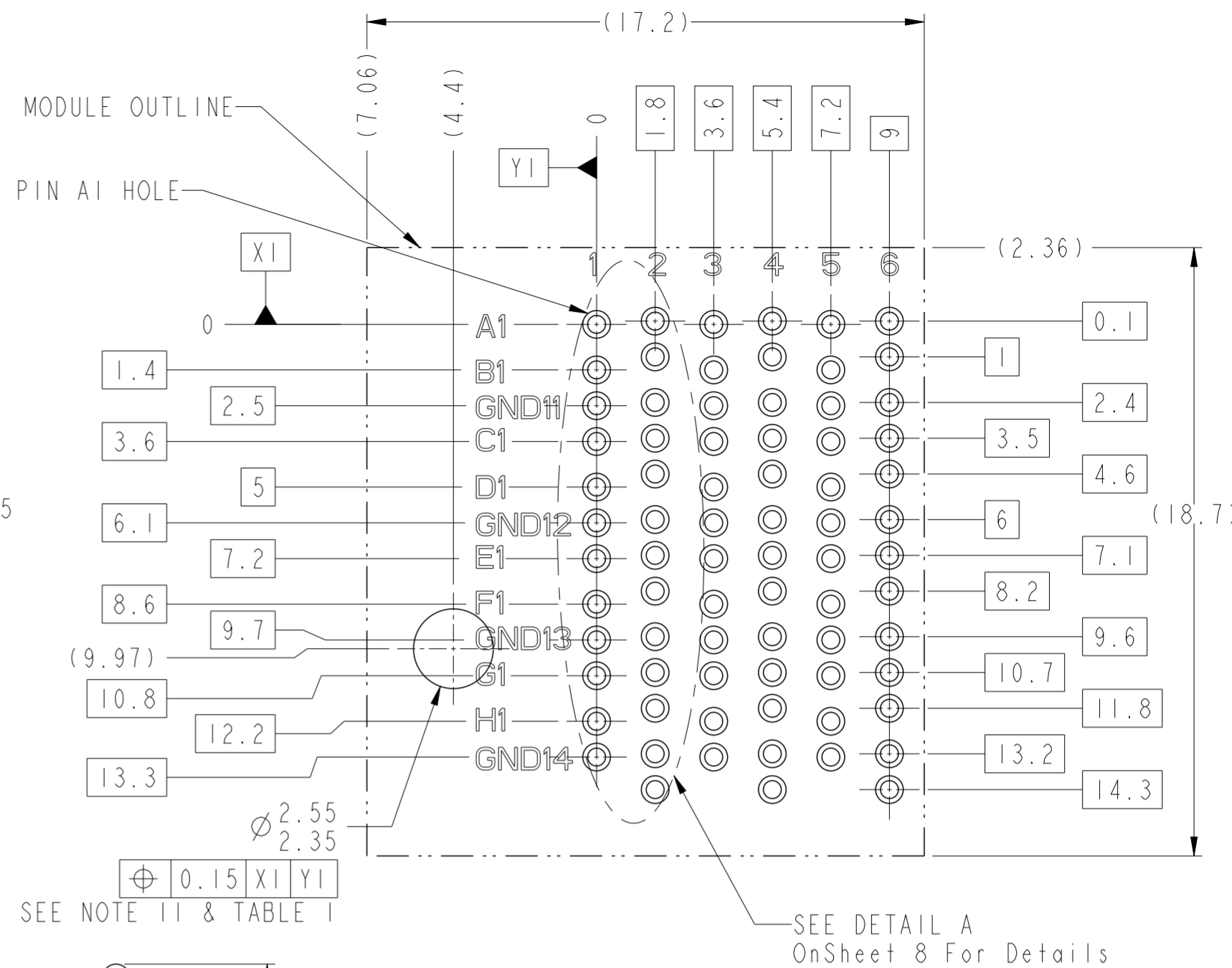


LEFT POLARIZING/GUIDE MODULE

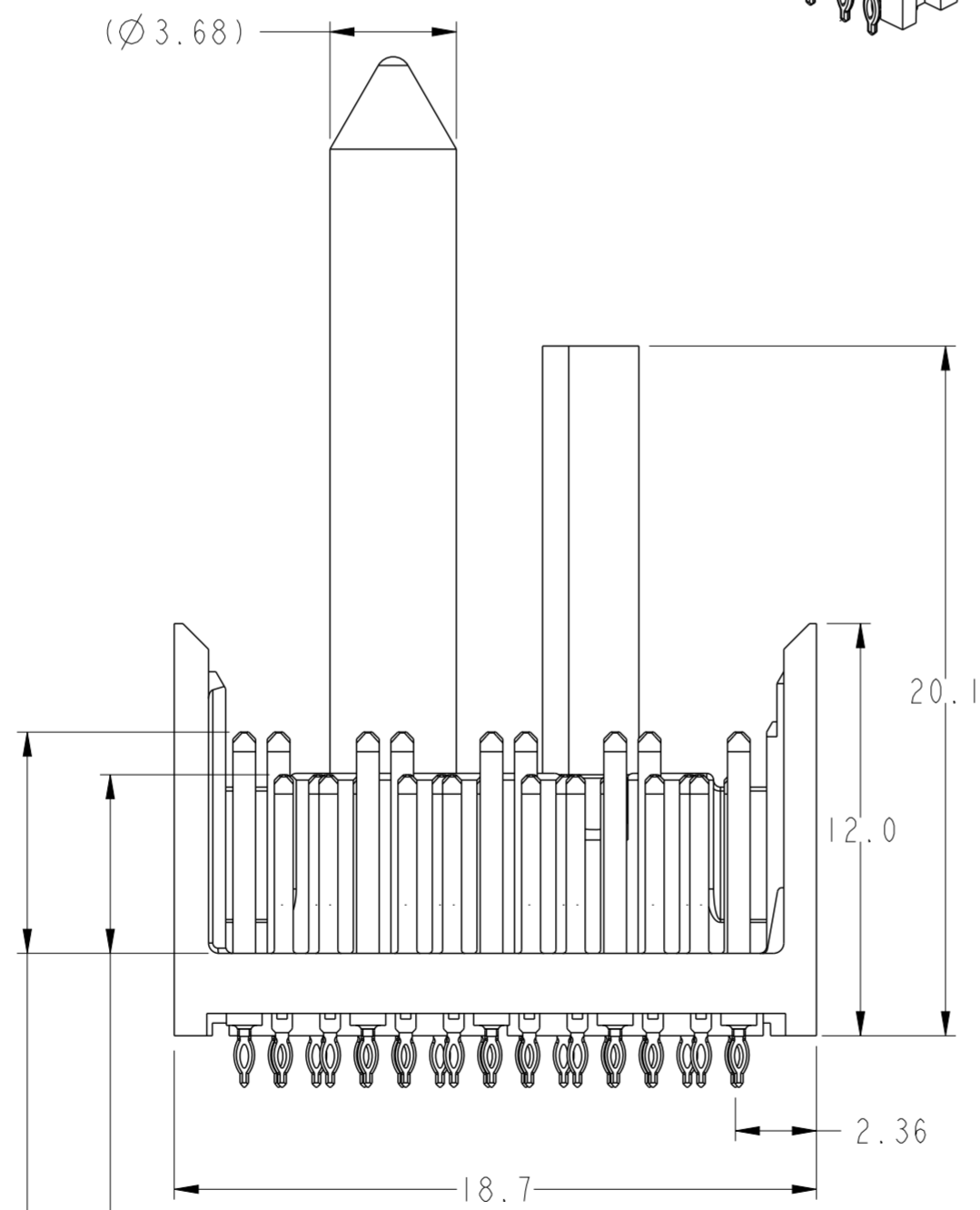
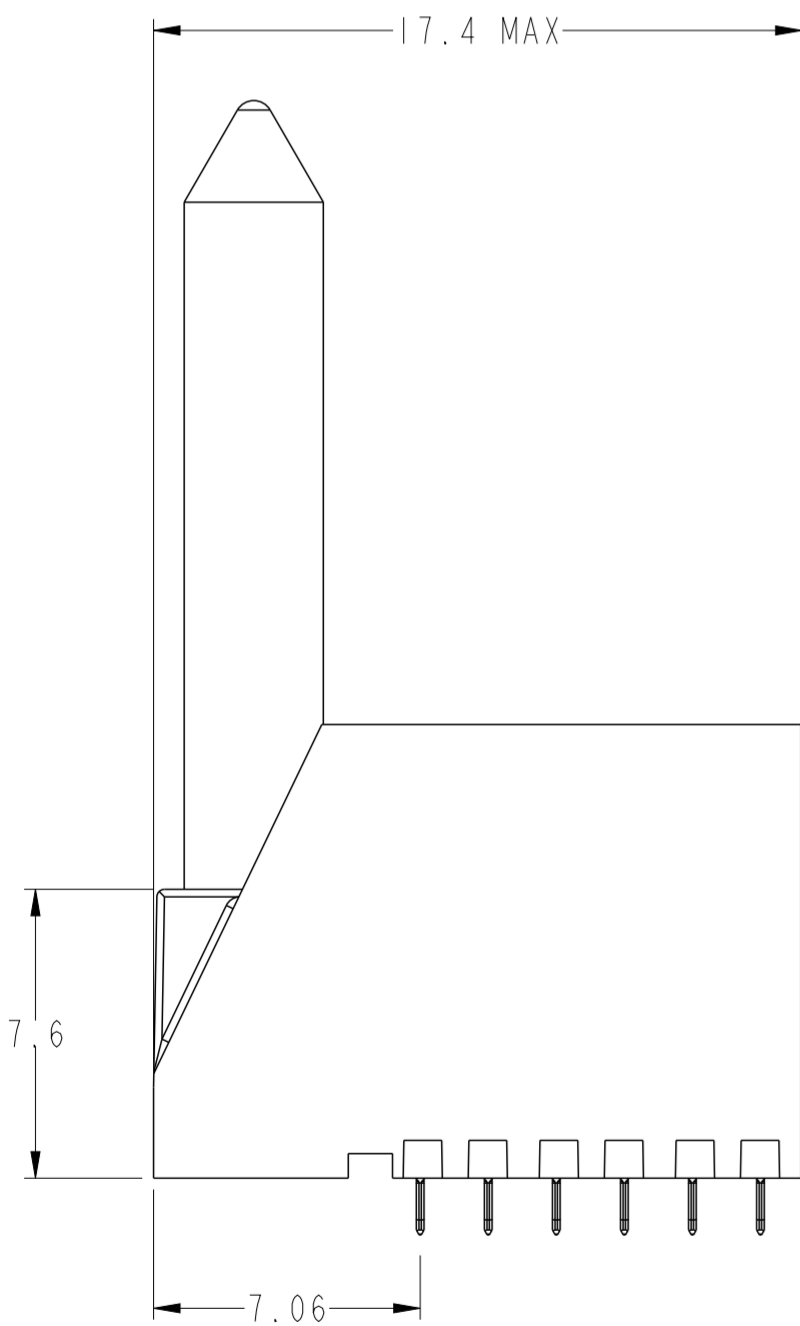
Optional Key See Sheet 1
Part Number Tree



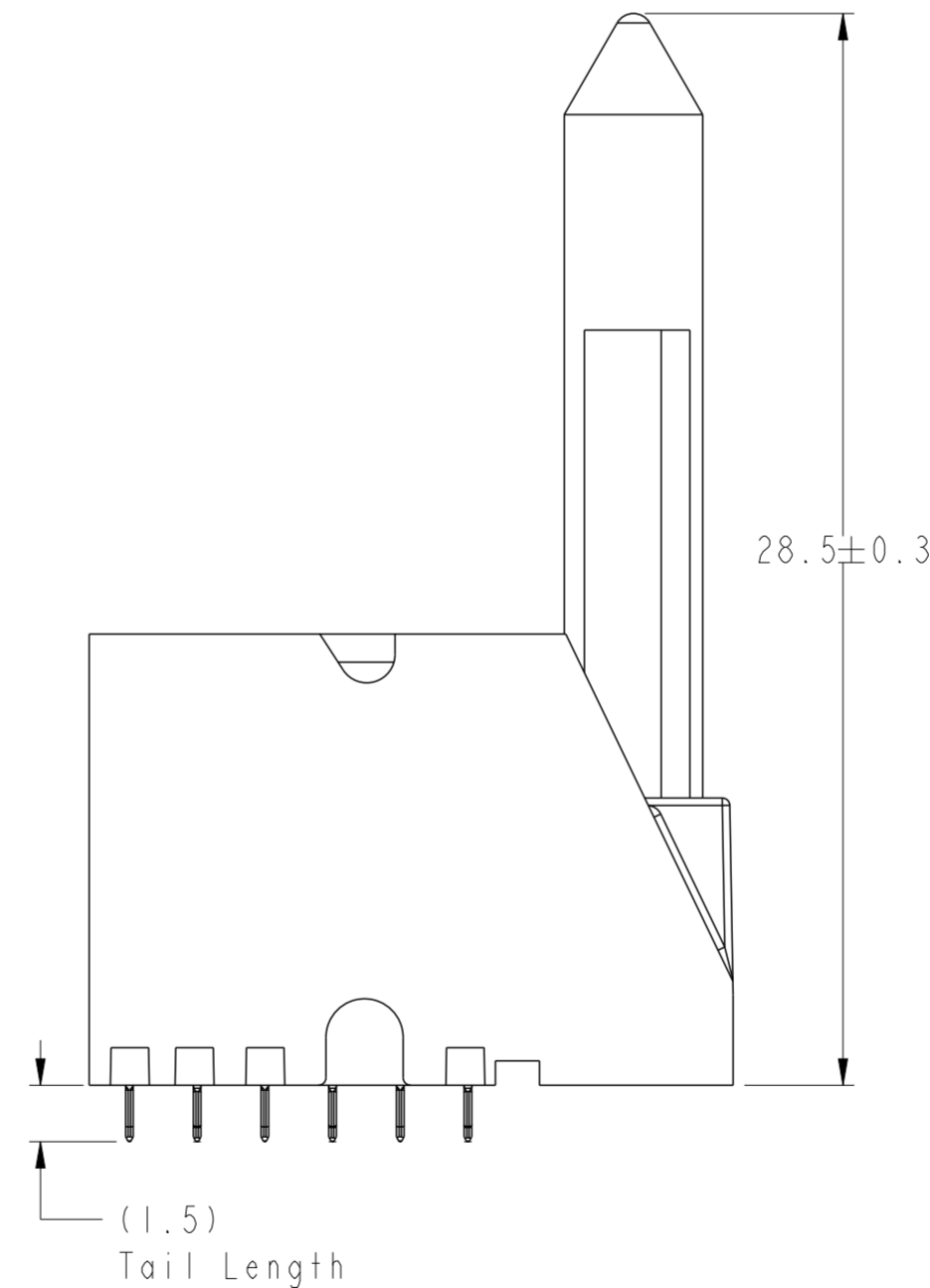
SEE NOTE 5



SEE DETAIL A
OnSheet 8 For Details

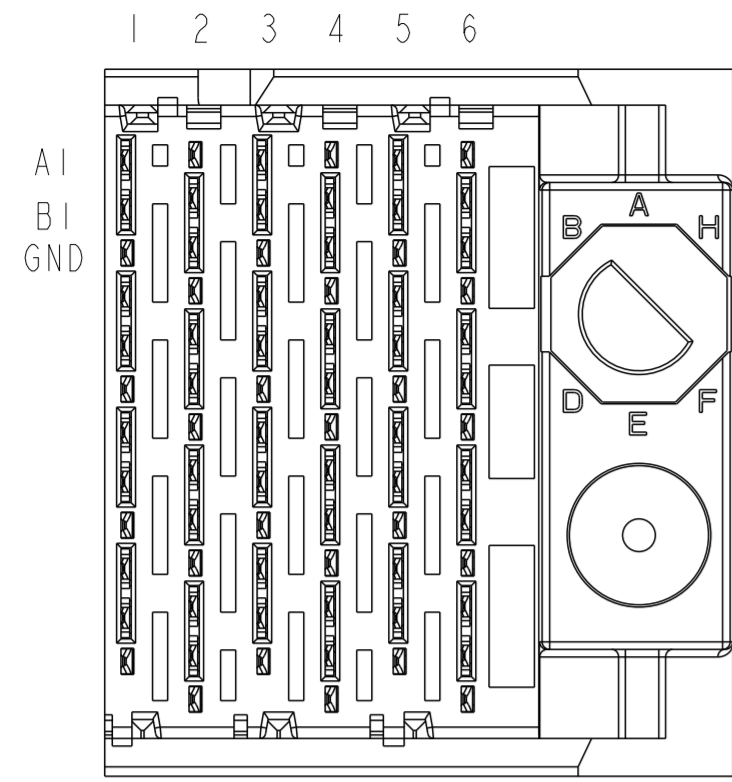


(5.2)
For 3MM Wipe Signal
(4.2)
For 2MM Wipe Signal
(6.4)
For 4MM Wipe Ground
(5.4)
For 3MM Wipe Ground

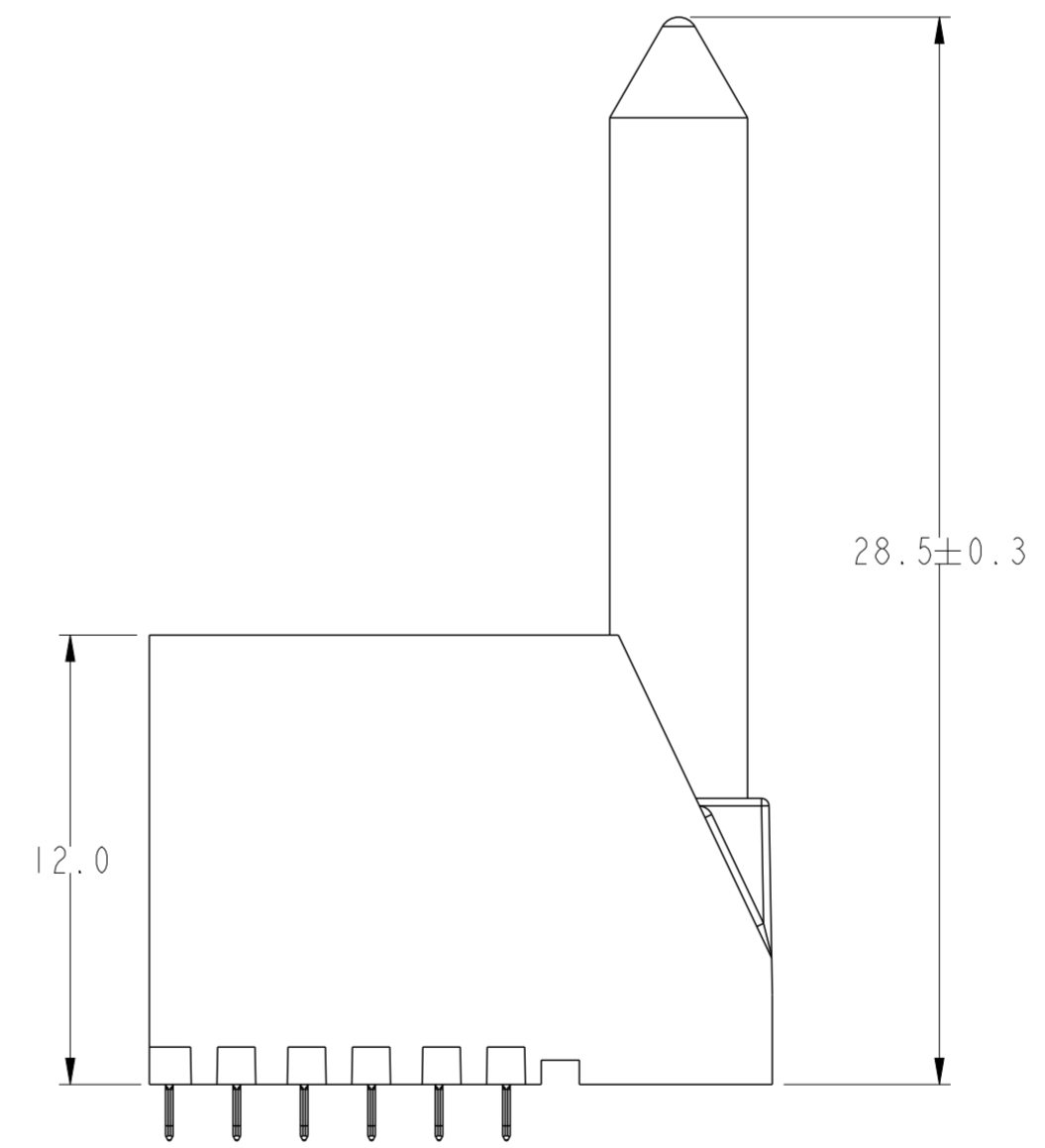
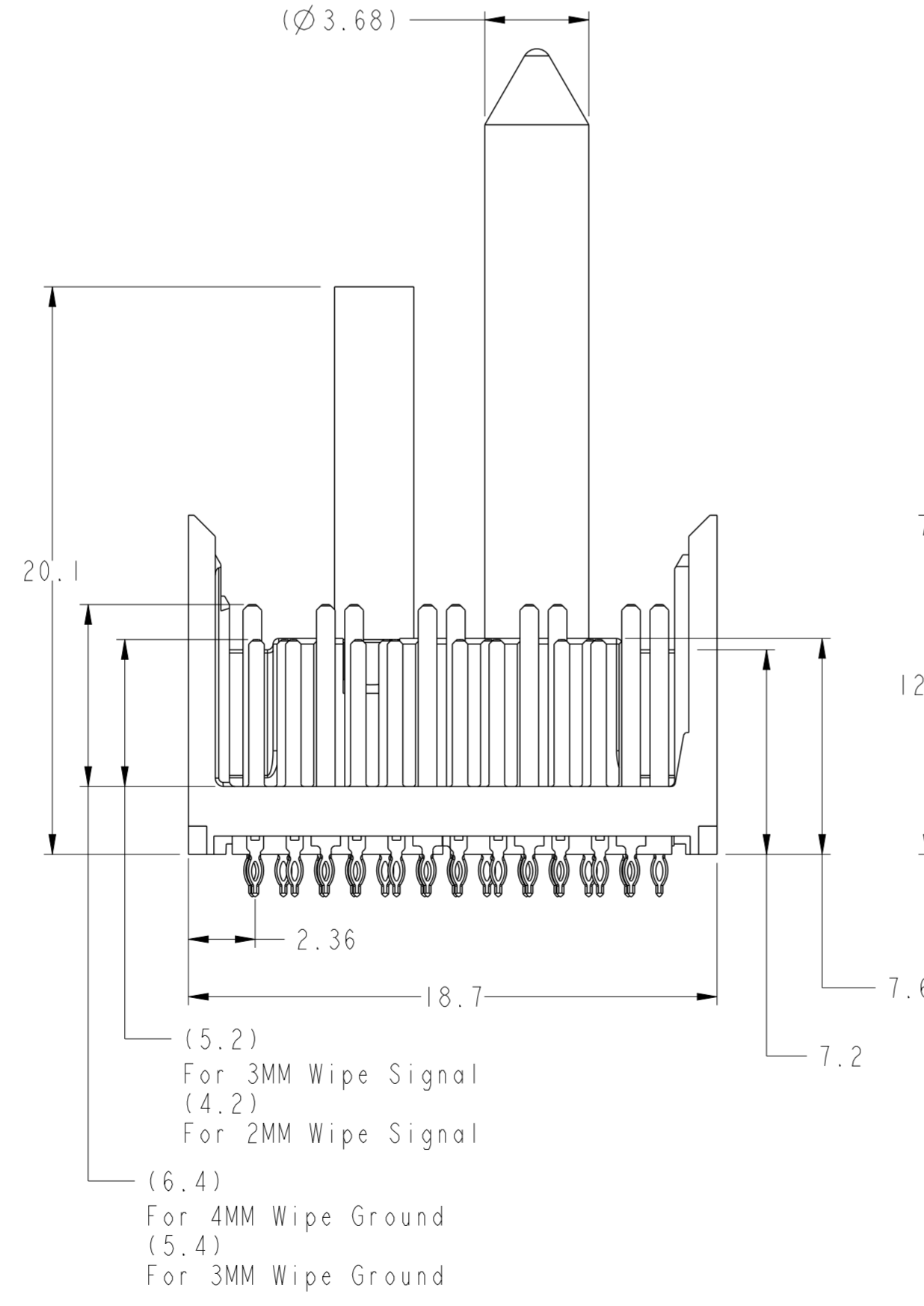
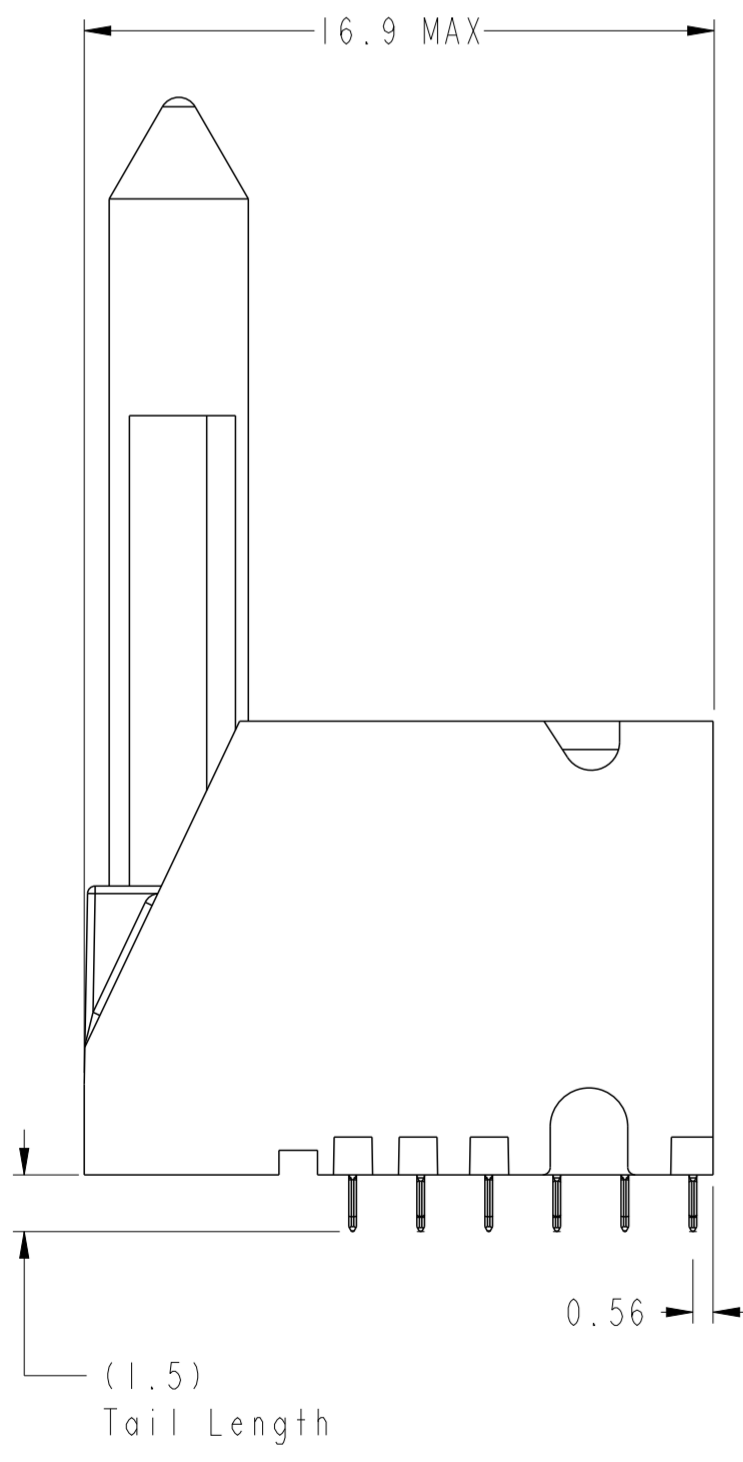
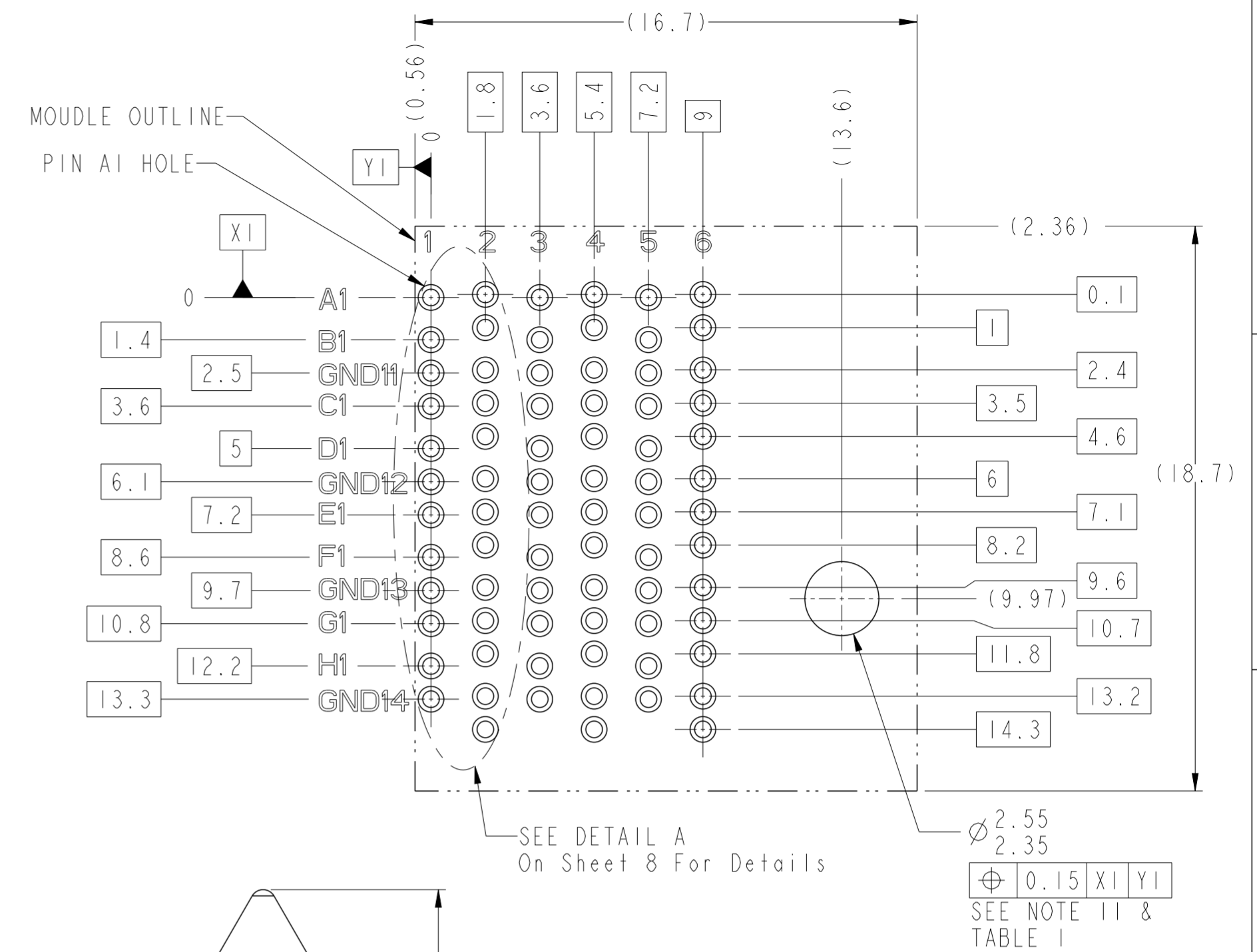
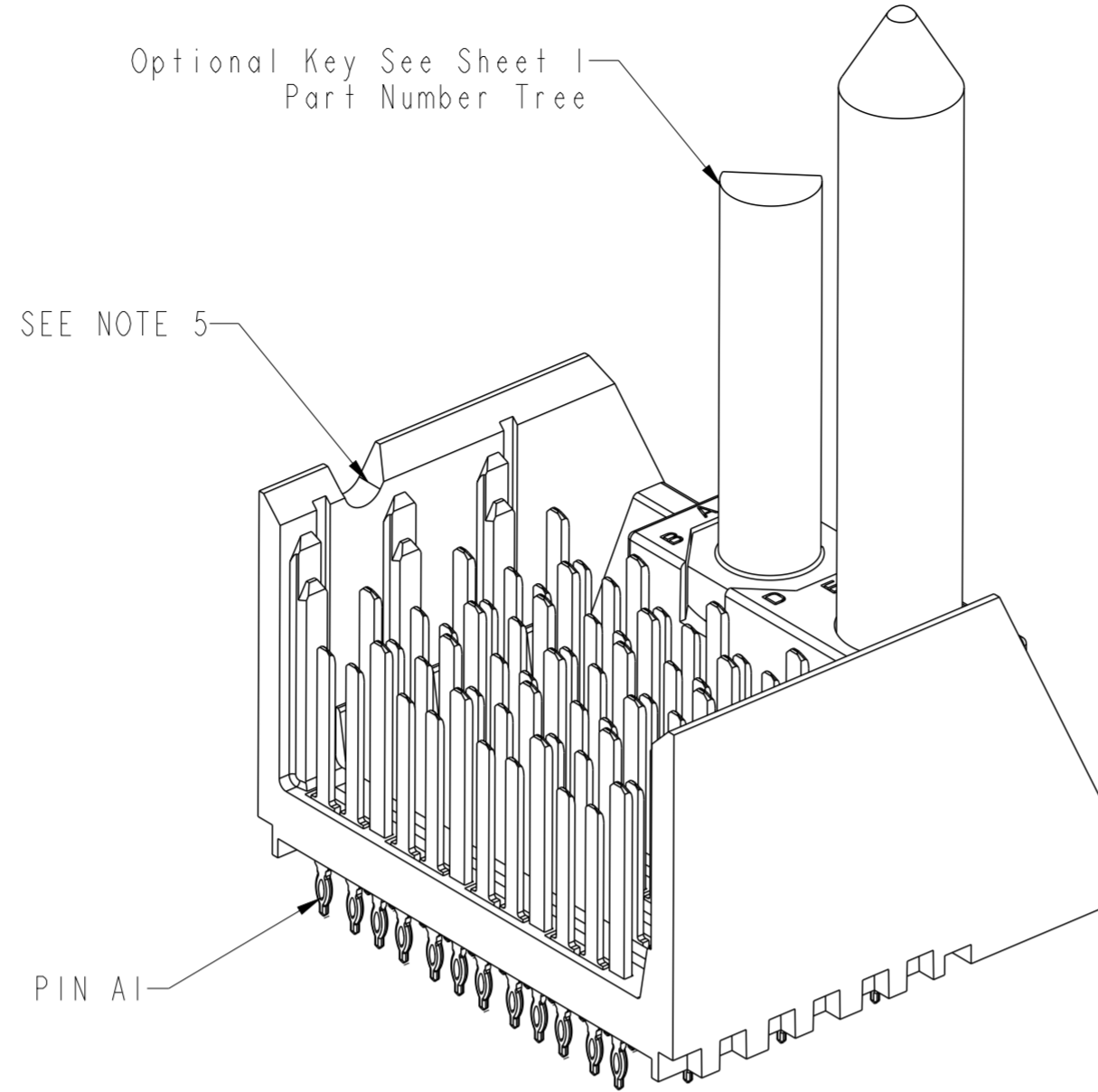


BP HOLE PATTERN COMPONENT SIDE
**LEFT POLARIZING GUIDE MODULE
BACKPLANE FOOTPRINT**

spec ref	-	dr	Yong-Keat Lim	2012/03/01	projection	mm	size	A2	scale	2:1			
tolerance std	ISO 406 ISO 1101	eng	Sandar Soe	2016/03/08		mm	ecn no	ELX-S-17624-1	rel level	Released			
TOLERANCES UNLESS OTHERWISE SPECIFIED		chr	-	appr							Chen-Hong Tan	2016/03/17	product family
surface	ISO 1302	linear	0.X	±0.3			title	MODULE ASSEMBLY, XCEDE HD		dwg no	10120128	rev	C
		angular	0°	±2°	www.fci.com	cat. no.	-	Product - Customer Drw	sheet 6 of 8				



RIGHT POLARIZING/GUIDE MOUDLE



BP HOLE PATTERN COMPONENT SIDE
**RIGHT POLAIZING/GUIDE MODULE
BACKPLANE FOOTPRINT**

spec ref	-	dr	Yong-Keat Lim	2012/03/01	projection	mm	size	A2	scale	2:1
tolerance std	ISO 406 ISO 1101	eng	Sandar Soe	2016/03/08	chr	-	ecn no	ELX-S-17624-1	rel level	Released
surface	-	appr	Chen-Hong Tan	2016/03/17	product family	XCEDE HD	rel level	Released	cat. no.	Product - Customer Drw
ISO 1302	linear 0.X ±0.3 0.XX ±0.10 0.XXX ±0.050 angular 0° ±2°	Amphenol FCI www.fci.com		title MODULE ASSEMBLY, XCEDE HD Vertical Header, 4 Pair 6 Column	dng no 10120128	rev C	sheet 7 of 8			

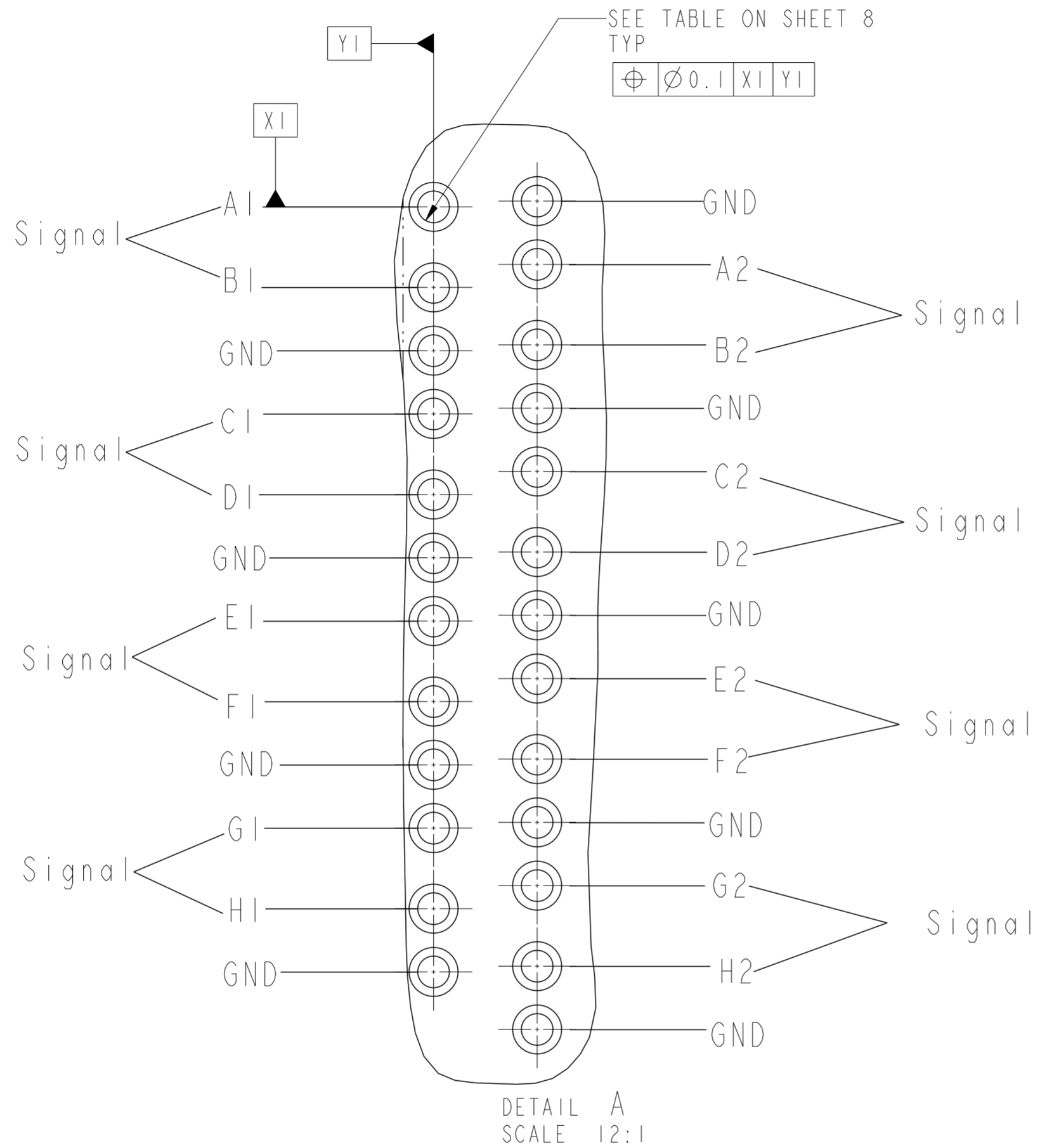


TABLE 3		
	COMPLIANT PIN DRILL $\varnothing 0.55 [0.0217"]$	COMPLIANT PIN DRILL $\varnothing 0.45 [0.0177"]$
PTH	$\varnothing 0.45 \pm 0.05$	$\varnothing 0.36 \pm 0.05$
DRILL	$\varnothing 0.55 [0.0217"]$	$\varnothing 0.45 [0.0177"]$
PAD	$\varnothing 0.85$	$\varnothing 0.75$

NOTES:

1. CONNECTOR MATERIALS
SHROUD : HIGH-TEMP POLYMER, COLOR : BLACK, UL94V-0
CONTACTS : HIGH PERFORMANCE COPPER ALLOY
2. PRODUCT SPECIFICATION : GS-12-0936
3. APPLICATION SPECIFICATION : GS-20-0348
4. PRODUCT MARKING :
PART NUMBER (10120128-X0C-XXXLF)
"FCI" AND DATE CODE (FCI P#####)
5. NOTCH DESIGNATES "ROW A" SIDE OF CONNECTOR. NOTCH FEATURE ON OPPOSITE FOR PRODUCT MARKING.
6. PLATING THICKNESS OF SIGNAL & GROUND CONTACT ARE DETERMINED BY PLATING CODE, REFER TO P/N TREE ON SHEET 1.
7. PACKAGING MEETS GS-14-920 LEAD-FREE LABELING SPECIFICATION.
8. GUIDE-PIN STYLE DESIGNATION ONLY APPLIES TO MODULE VERSIONS THAT REQUIRE GUIDE-PIN HARDWARE. FOR ALL NON-GUIDE-PIN VERSIONS, THE DEFAULT DASH-NUMBER DIGIT IN THAT LOCATION IS STILL '0'.
9. SEE APPLICATION SPECIFICATION FOR ROUTING GUIDELINES, ADDITIONAL PTH GUIDELINES, MATED DIMENSIONS, GUIDE PIN SELECTION, ETC.
10. A $\triangle C$ SYMBOL WILL BE NEXT TO ANY DIMENSION, VIEW OR NOTE THAT HAS BEEN MODIFIED WITH THE CURRENT DRAWING REVISION.
11. OPTIONAL HOLE LOCATION FOR GROUNDED PIN OR ADDITIONAL GUIDE-PIN SUPPORT. SEE TABLE 1 SHEET 1 FOR ADDITIONAL DETAILS.
12. SCREW IS OPTIONAL AND ENGAGES WITH BOTTOM OF GUIDE PIN FROM BENEATH THE PCB FOR ADDITIONAL GUIDE-PIN SUPPORT.

spec ref	-	dr	Yong-Keat Lim	2012/03/01	projection	mm	size	A2	scale	2:1
tolerance std	ISO 406 ISO 1101	eng	Sandar Soe	2016/03/08		mm	ecn no	ELX-S-17624-1	rel level	Released
TOLERANCES UNLESS OTHERWISE SPECIFIED		chr	-	appr						
surface	ISO 1302	linear	0.X	± 0.3	Amphenol FCI		part no	10120128	rev	C
			0.XX	± 0.10	www.fci.com		cat. no.	-	Product - Customer Drw	sheet 8 of 8
		angular	0°	$\pm 2^\circ$	MODULE ASSEMBLY, XCEDE HD Vertical Header, 4 Pair 6 Column					