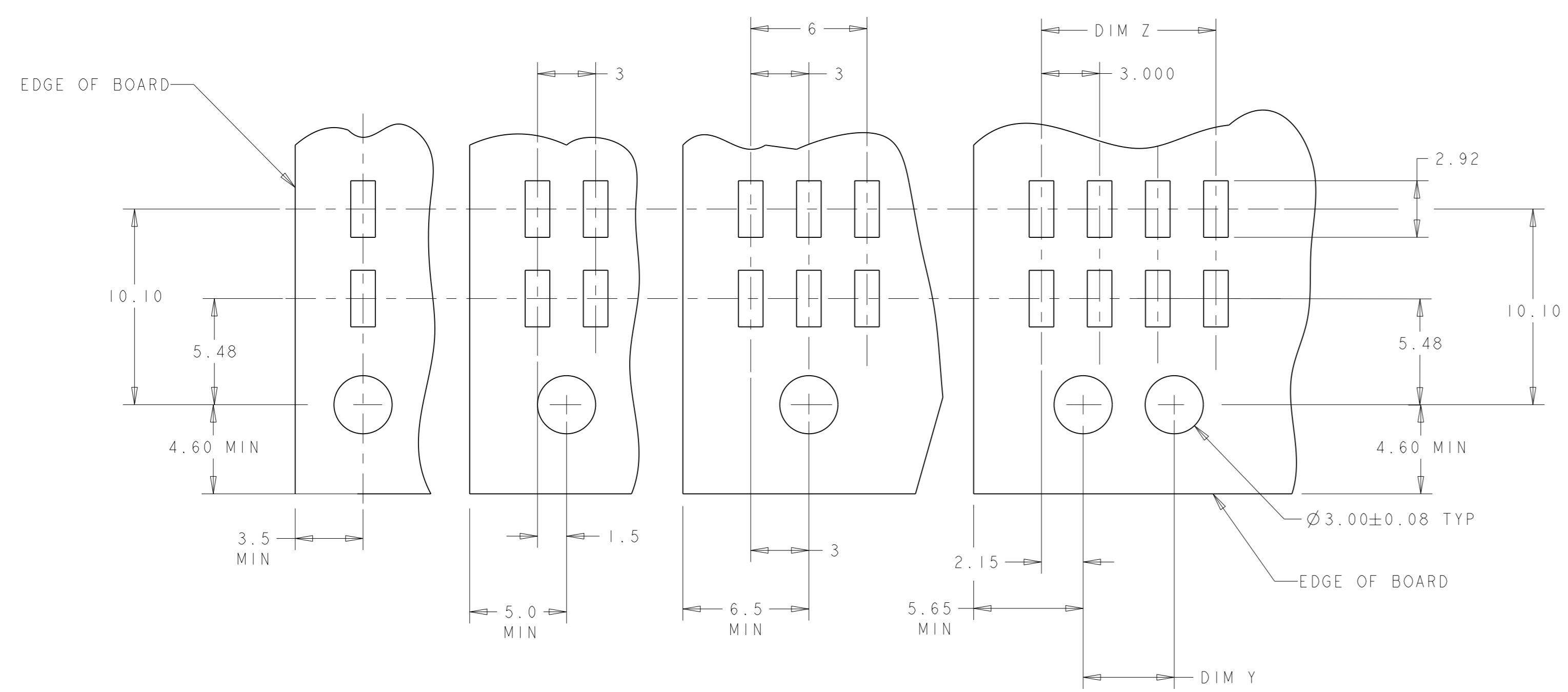
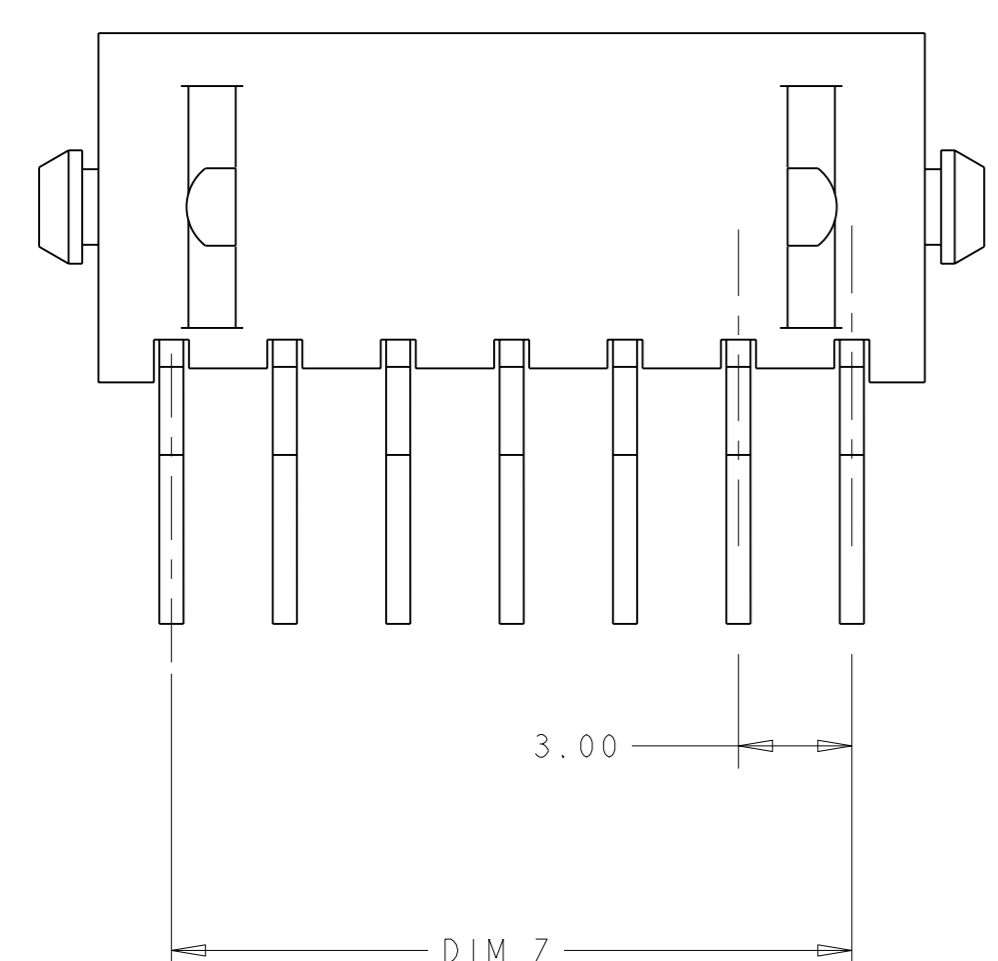
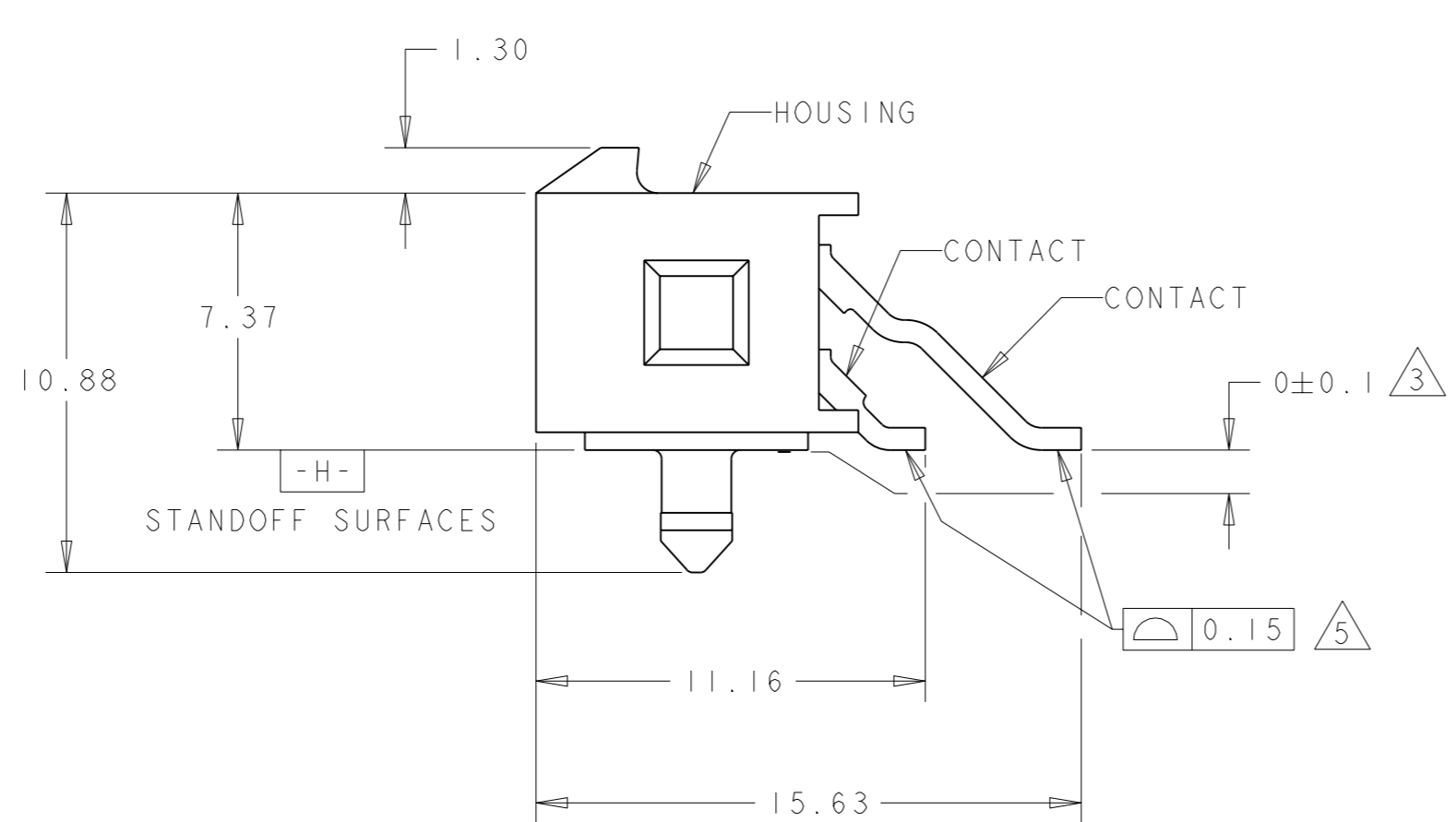
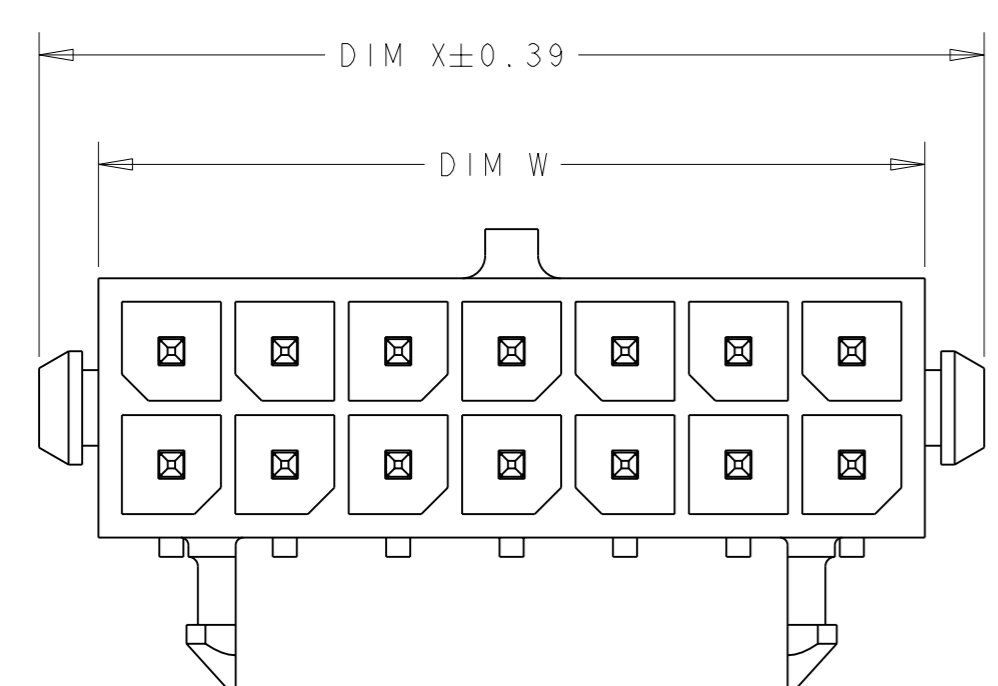
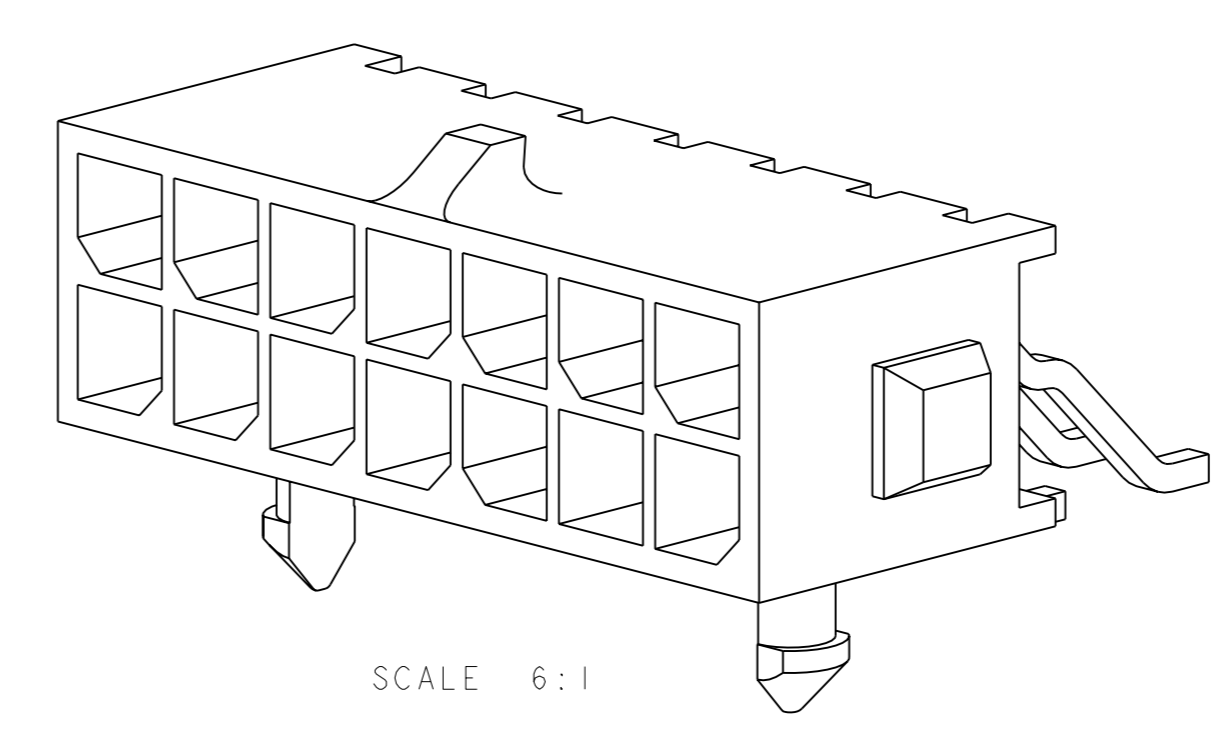


LOC	DIST	REVISIONS			
F	LVR	DESCRIPTION	DATE	DWN	APVD
	F	REVISED PER 0G3B-0208-05	25APR05	KW	C.J

- △ MATERIAL:
CONTACTS - BRASS.
HOUSING - UL 94V-0 RATED HIGH TEMP NYLON, COLOR; BLACK.
- △ PLATING:
CONTACTS - 0.38µm MINIMUM GOLD OVER 2.54µm MINIMUM NICKEL
ON MATING AREA. 2.54µm TIN-LEAD MINIMUM OVER 2.54µm NICKEL
MINIMUM ON SOLDER TAILS.
- △ DIMENSION APPLIES TO SOLDER TAIL SURFACES
AND STANDOFF SURFACES.
- △ RECOMMENDED PC BOARD THICKNESS OF 1.57.
- △ ALL SOLDER TAILS.
- △ PLATING:
CONTACTS - 0.38µm MINIMUM GOLD OVER 2.54µm MINIMUM NICKEL
ON MATING AREA. 2.54µm MATTE TIN MINIMUM OVER 2.54µm NICKEL
MINIMUM ON SOLDER TAILS.



RECOMMENDED PCB LAYOUT (COMPONENT SIDE) △



FINISH	DIM W	DIM Y	DIM Z	DIM X	NO. OF POSN.	PART NUMBER
△	36.86	28.70	33.00	40.00	24	5-794622-4
△	33.86	25.70	30.00	37.00	22	5-794622-2
△	30.86	22.70	27.00	34.00	20	5-794622-0
△	27.86	19.70	24.00	31.00	18	4-794622-8
△	24.86	16.70	21.00	28.00	16	4-794622-6
△	21.86	13.70	18.00	25.00	14	4-794622-4
△	18.86	10.70	15.00	22.00	12	4-794622-2
△	15.86	7.70	12.00	19.00	10	4-794622-0
△	12.86	4.70	9.00	16.00	8	3-794622-8
△	9.86	-	6.00	13.00	6	3-794622-6
△	6.86	-	3.00	10.00	4	3-794622-4
△	3.86	-	-	7.00	2	3-794622-2
△	36.86	28.70	33.00	40.00	24	2-794622-4
△	33.86	25.70	30.00	37.00	22	2-794622-2
△	30.86	22.70	27.00	34.00	20	2-794622-0
△	27.86	19.70	24.00	31.00	18	1-794622-8
△	24.86	16.70	21.00	28.00	16	1-794622-6
△	21.86	13.70	18.00	25.00	14	1-794622-4
△	18.86	10.70	15.00	22.00	12	1-794622-2
△	15.86	7.70	12.00	19.00	10	1-794622-0
△	12.86	4.70	9.00	16.00	8	794622-8
△	9.86	-	6.00	13.00	6	794622-6
△	6.86	-	3.00	10.00	4	794622-4
△	3.86	-	-	7.00	2	794622-2

DIMENSIONS: mm TOLERANCES UNLESS OTHERWISE SPECIFIED: 0 PLC ± 1 PLC ±0.13 2 PLC ± 3 PLC ± 4 PLC ± ANGLES ±		DWN: K. WHITAKER 28 JAN 2002 CHK: C. JONES 28 JAN 2002 APVD: C. JONES 28 JAN 2002 PRODUCT SPEC APPLICATION SPEC MATERIAL: SEE TABLE FINISH: SEE TABLE		Tyco Electronics Harrisburg, PA 17105-3608 NAME: SURFACE MOUNT, R/A, 15 GOLD HEADER, PLASTIC BOARDLOCK, DUAL ROW, MICRO MATE-N-LOK™ SIZE: A CAGE CODE: 00779 DRAWING NO: 794622 WEIGHT: - RESTRICTED TO: - CUSTOMER DRAWING SCALE: 5:1 SHEET: 1 OF 1 REV: F	
---	--	---	--	--	--

