

DESIGNED & DIMENSIONED
IN MILLIMETERS [INCHES]

E MCX7-J-P-X-ST-SM1

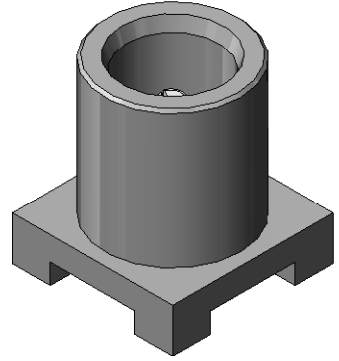
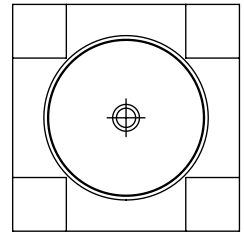
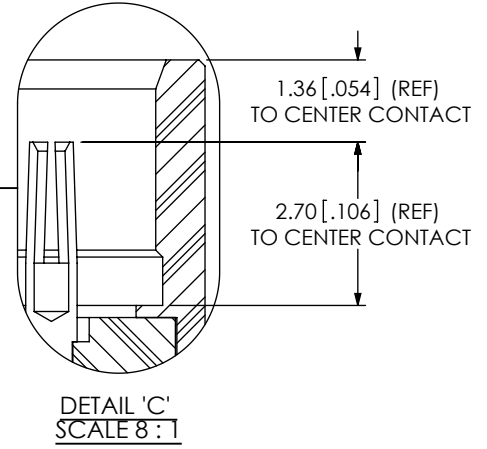
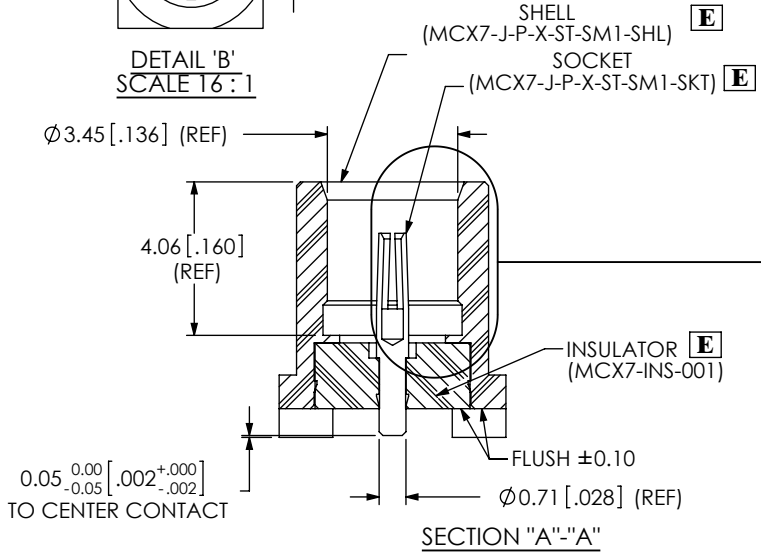
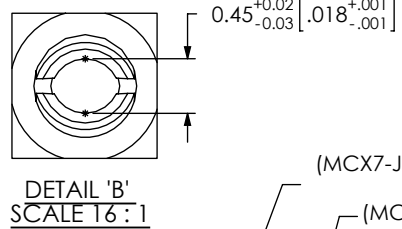
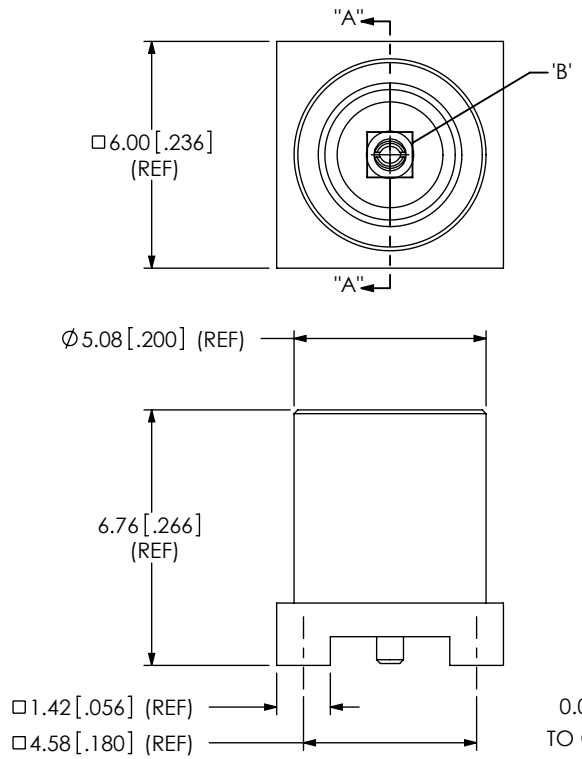
GENDER
-J: JACK

TYPE
-P: PCB

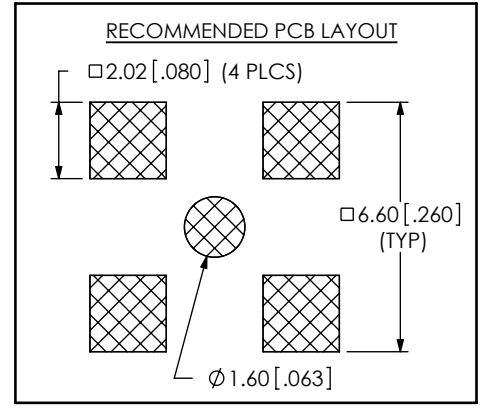
TERMINATION
-SM1: SURFACE MOUNT

ORIENTATION
-ST: STRAIGHT

PLATING SPECIFICATION **E**
-H: HEAVY GOLD (SEE NOTE 6 & 7)
(MCX7-J-P-H-ST-SM1-SKT)
(MCX7-J-P-F-ST-SM1-SHL)
(MCX7-INS-001)



MCX7-J-P-H-ST-SM1 (SHOWN)



- NOTES:
- Ⓢ REPRESENTS A CRITICAL DIMENSION.
 - PUSHOUT FORCE FOR INSULATOR: 20 N [4.5 LB] MIN.
 - PUSHOUT FORCE FOR CENTER CONTACT: 10 N [2.25 LB] MIN.
 - PARTS TO BE PACKAGED IN TRAYS; IF QUANTITY IS LESS THAN HALF TRAY, PARTS TO BE PACKAGED IN COHESIVE FOAM.
 - RoHS COMPLIANT.
 - COMPONENT PLATING DESIGNATIONS:
 -H: 0.00076[0.000030] (MIN) GOLD OVER 0.00127[0.000050] (MIN) NICKEL.
 -F: 0.00008[0.000003] (MIN) GOLD OVER 0.00127[0.000050] (MIN) NICKEL.
 - ASSEMBLY PLATING DESIGNATIONS:
 -H: (CENTER CONTACT)-H:
 (OUTER CONTACT)-F:

F:\DWG\MISC\MKTG\MCX7-J-P-X-ST-SM1-MKT.SLDDRW

UNLESS OTHERWISE SPECIFIED, DIMENSIONS ARE IN MILLIMETERS. TOLERANCES ARE:

DECIMALS	ANGLES
.X: ±0.3 [.01]	2°
.XX: ±0.13 [.005]	
.XXX: ±0.051 [.0020]	

PROPRIETARY NOTE
 THIS DOCUMENT CONTAINS INFORMATION CONFIDENTIAL AND PROPRIETARY TO SAMTEC, INC. AND SHALL NOT BE REPRODUCED OR TRANSFERRED TO OTHER DOCUMENTS OR DISCLOSED TO OTHERS OR USED FOR ANY PURPOSE OTHER THAN THAT WHICH IT WAS OBTAINED WITHOUT THE EXPRESSED WRITTEN CONSENT OF SAMTEC, INC.

MATERIAL: DO NOT SCALE DRAWING SHEET SCALE: 1:0.2
 SEE TABLE 1

520 PARK EAST BLVD., NEW ALBANY, IN 47150
 PHONE: 812-944-6733 FAX: 812-948-5047
 e-Mail: info@SAMTEC.com code: 55322

DESCRIPTION:
 TRUE 75 OHM, MCX STRAIGHT, SMT JACK

DWG. NO. **E** MCX7-J-P-X-ST-SM1