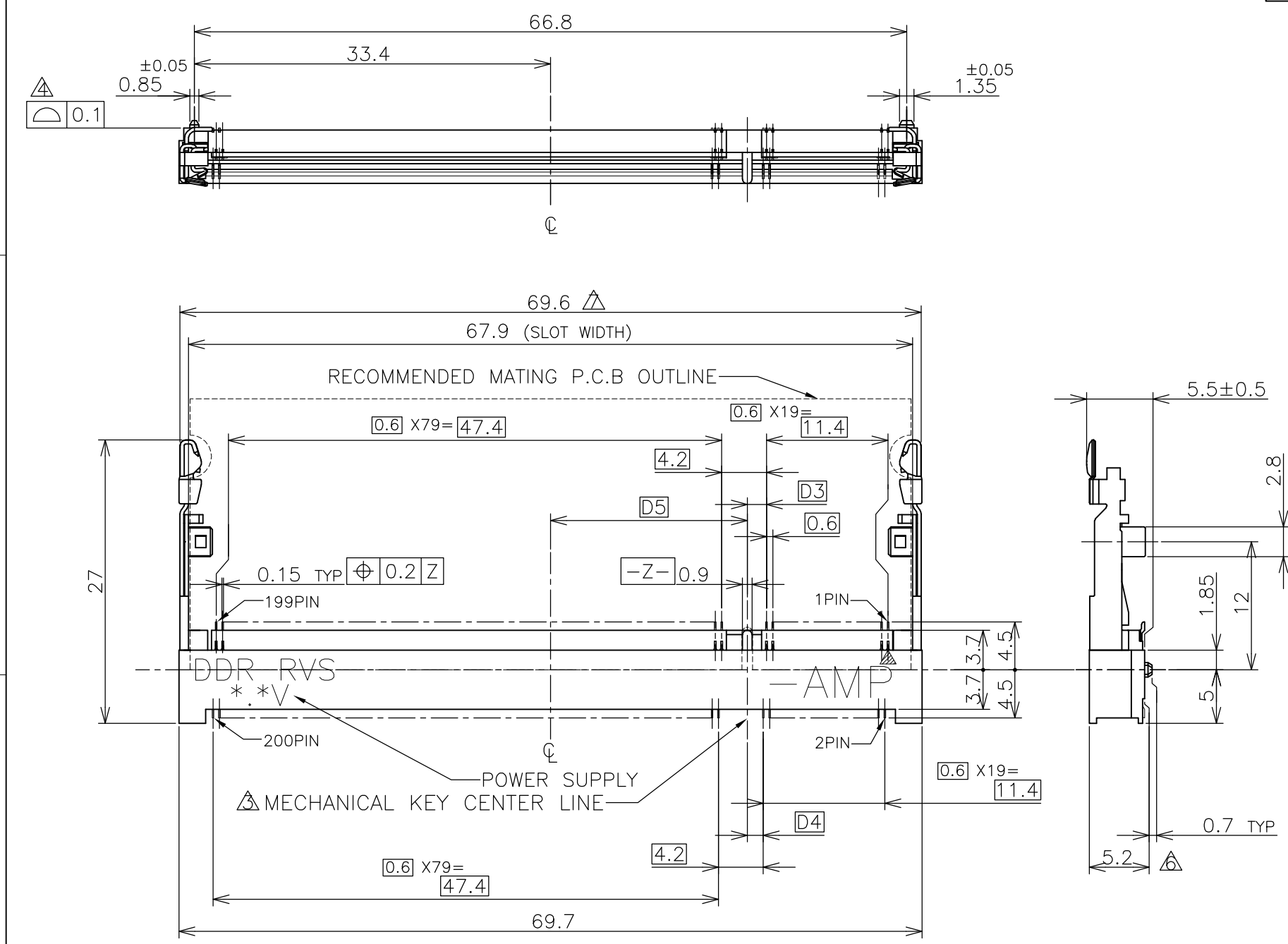


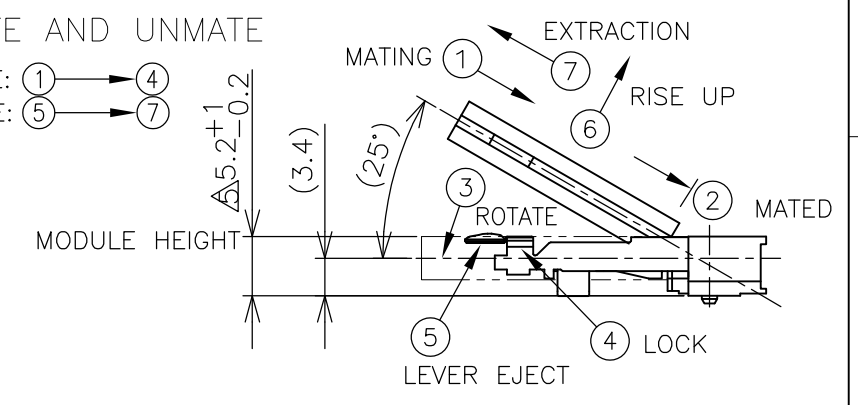
THIS DRAWING IS UNPUBLISHED. RELEASED FOR PUBLICATION MAR , 2007.  
 © COPYRIGHT 2007 BY TYCO ELECTRONICS CORPORATION. ALL RIGHTS RESERVED.

LOC	DIST	REVISIONS			
P	LTR	DESCRIPTION	DATE	DWN	APVD
J		B	REVISED PER ECR-07-016720	16JUL07	SA.Y S.Y



HOW TO MATE AND UNMATE

- MATE: ① → ④
- UNMATE: ⑤ → ⑦



(APPLIED TO SHEET 1-2)

- MATERIAL ; HOUSING: HIGH TEMPERATURE THERMO PLASTIC UL94V-0  
CONTACT: COPPER ARROY  
LOCK LEVER: STAINLESS STEEL
  - FINISH ; CONTACT AREA: GOLD PLATING ON ALL OVER NICKEL.  
SOLDERING AREA: GOLD FLASH PLT.  
LOCK LEVER: TIN PLATING.
- MECHANICAL KEY POSITION OF CONNECTOR SEE TABLE.
  - COPLANARITY : 0.1 MAX.
  - THE FLOATING VALUE BY SOLDERING IS NOT INCLUDED.
  - NOT MATING CONDITION.
  - IN CASE OF MODULE BOARD LOCK AND EJECT, LATCH MAXIMUM WIDTH: 75mm.
  - TOLERANCES NON-CUMULATIVE.
  - CARD GUIDE AND STRUT COMPONENT KEEP-OUT ZONE.
  - INSIDE MUST BE RESIST COAT EXCEPT SOLDER PATTERN.

THIS DRAWING IS A CONTROLLED DOCUMENT.

DIMENSIONS: MM	TOLERANCES UNLESS OTHERWISE SPECIFIED:
	0 PLC ±
	1 PLC ±
	2 PLC ±
	3 PLC ±
	4 PLC ±
	ANGLES ±
MATERIAL	FINISH

GENERAL TOLERANCE

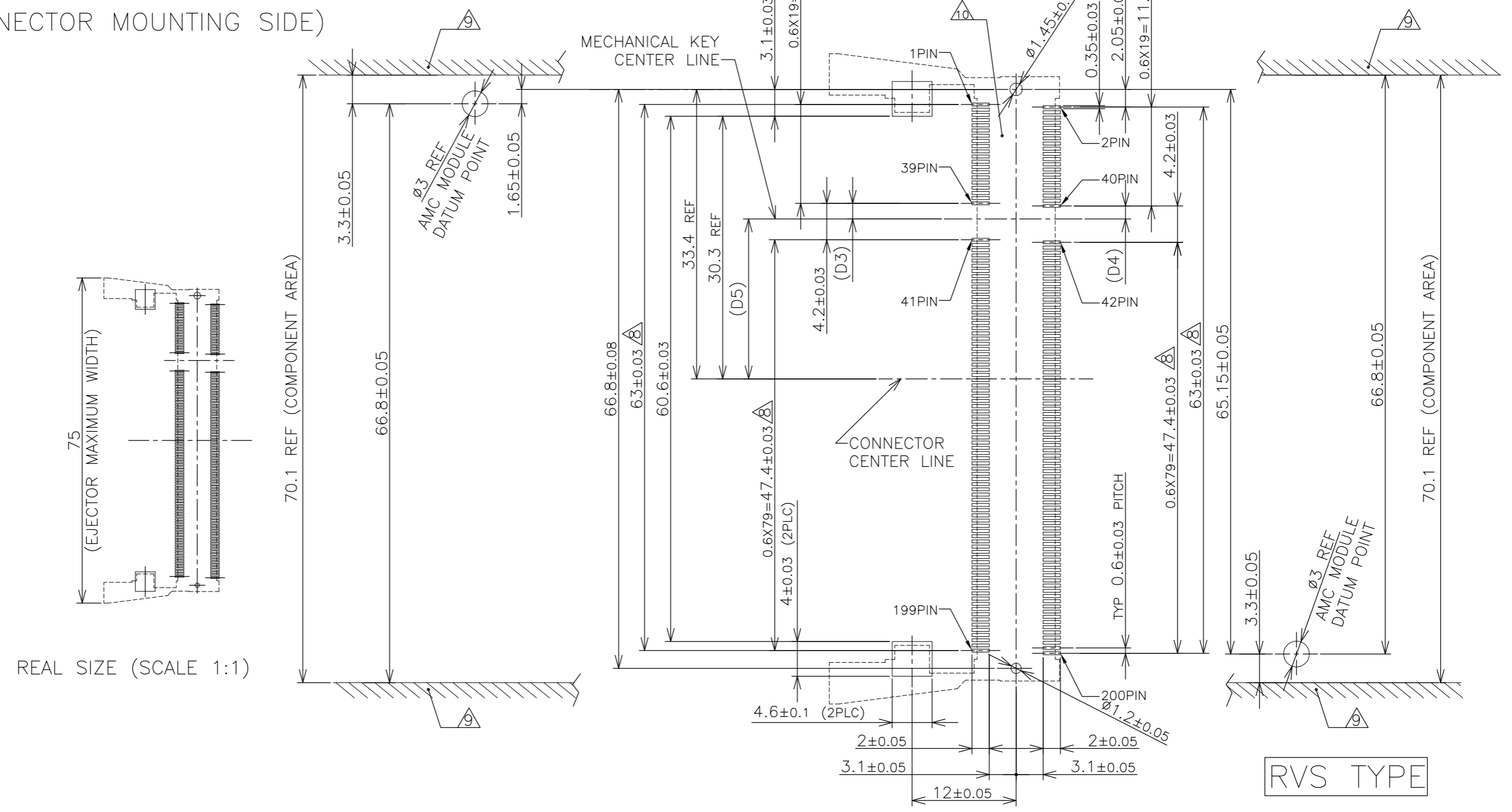
10 ≥	±0.2
30 ≥ > 10	±0.3
100 ≥ > 30	±0.5
ANGLES	±3°

1.8V (DDR2)	17.55	2.4	2.7	200	1981281-4
POWER SUPPLY (TYPE)	D5	D4	D3	POS	PART NO.
DWN LEO ZHOU 07MAR07	Tyco Electronics Corporation Kawasaki, Japan				
CHK T.FUMIKURA 07MAR07	NAME				
APVD K.IKEGAMI 07MAR07	DDR SODIMM SOCKET 0.6mm PITCH 200POS 5.2H RVS TYPE TO FIT AMC APPLICATIONS				
PRODUCT SPEC 108-5701	SIZE	CAGE CODE	DRAWING NO	RESTRICTED TO	
APPLICATION SPEC	A3		C-1981281	-	
WEIGHT 4.7g	SCALE 2:1 SHEET 1 OF 4 REV B				
CUSTOMER DRAWING					

THIS DRAWING IS UNPUBLISHED. RELEASED FOR PUBLICATION MAR ,2007.  
 © COPYRIGHT 2007 BY TYCO ELECTRONICS CORPORATION. ALL RIGHTS RESERVED.

LOC	DIST	P	LTR	DESCRIPTION	DATE	DWN	APVD
J				SEE SHEET 1	-	-	-

REFERENCE P.C. BOARD PATTERN LAYOUT  
(CONNECTOR MOUNTING SIDE)

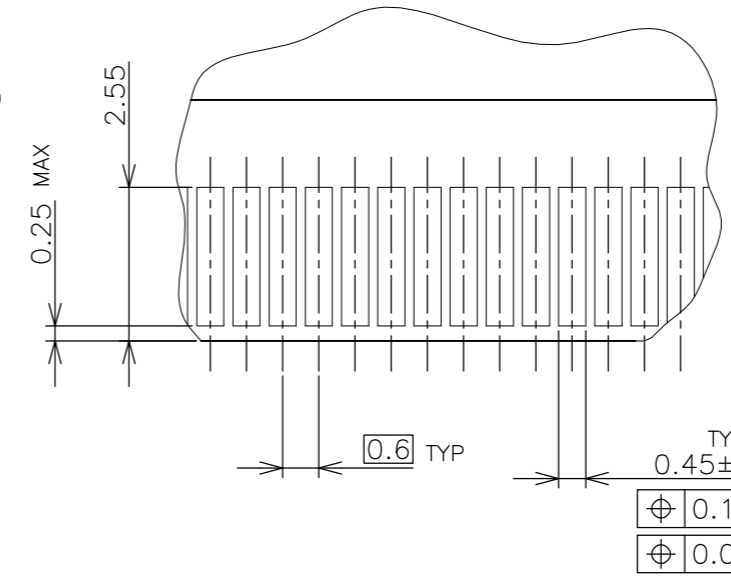
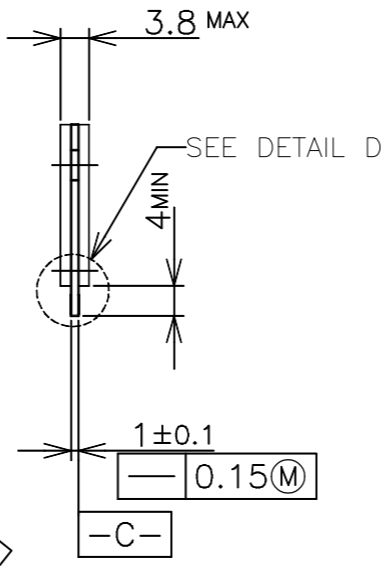
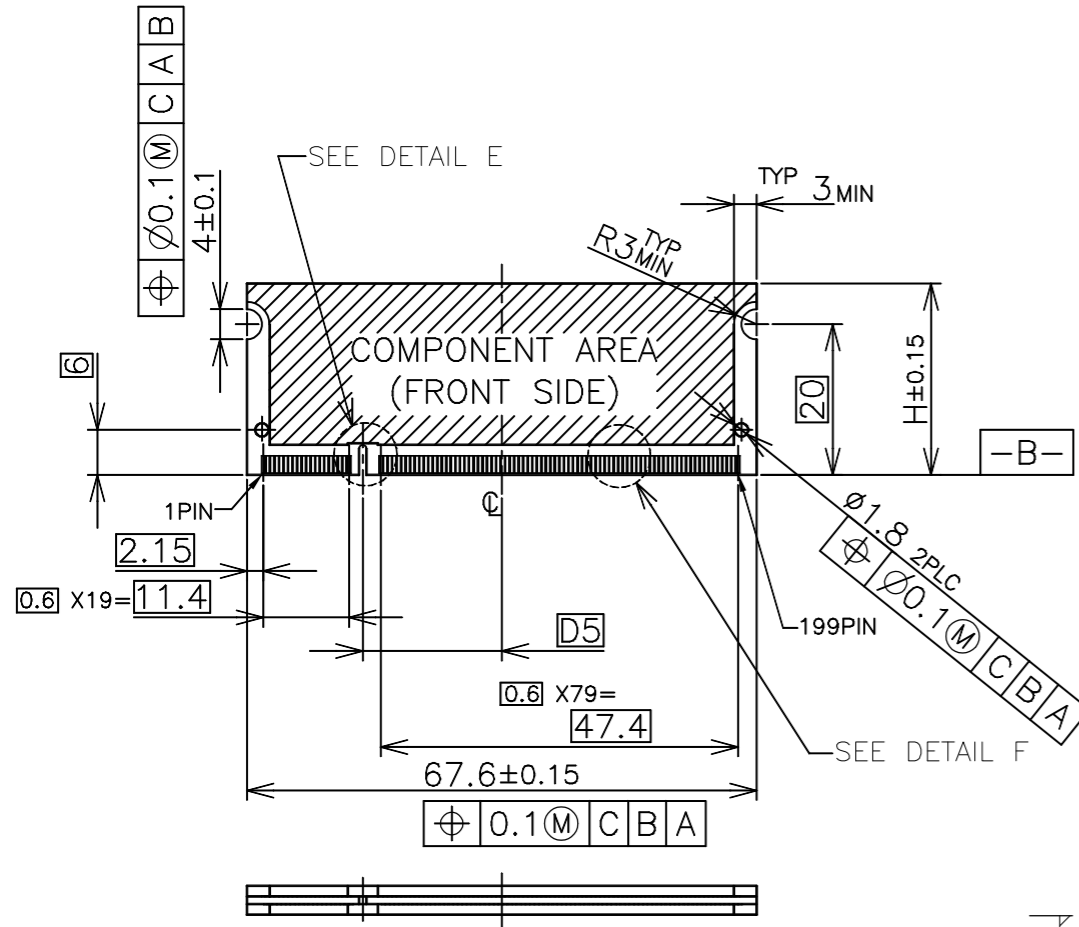


REAL SIZE (SCALE 1:1)

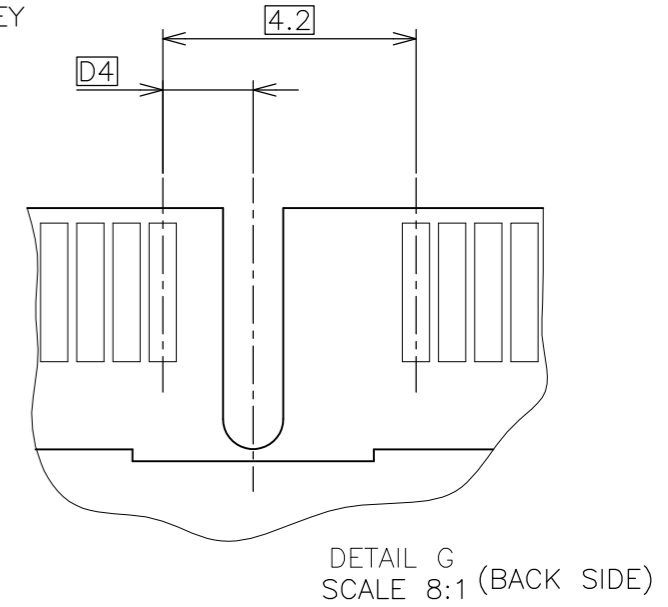
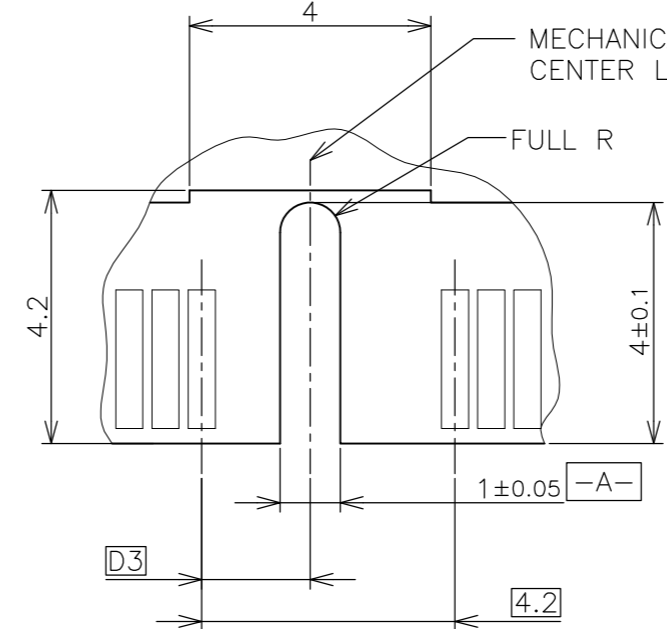
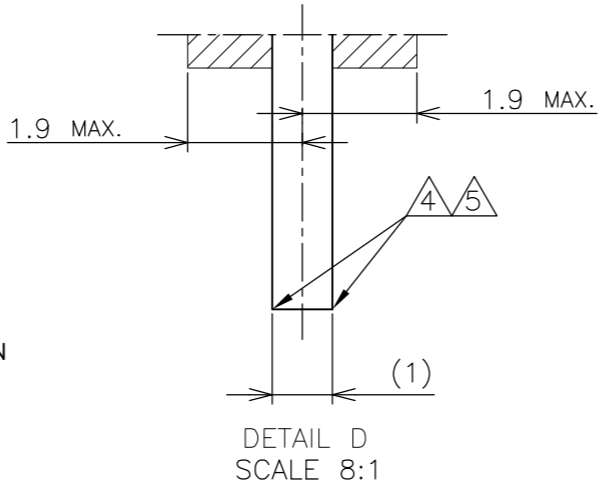
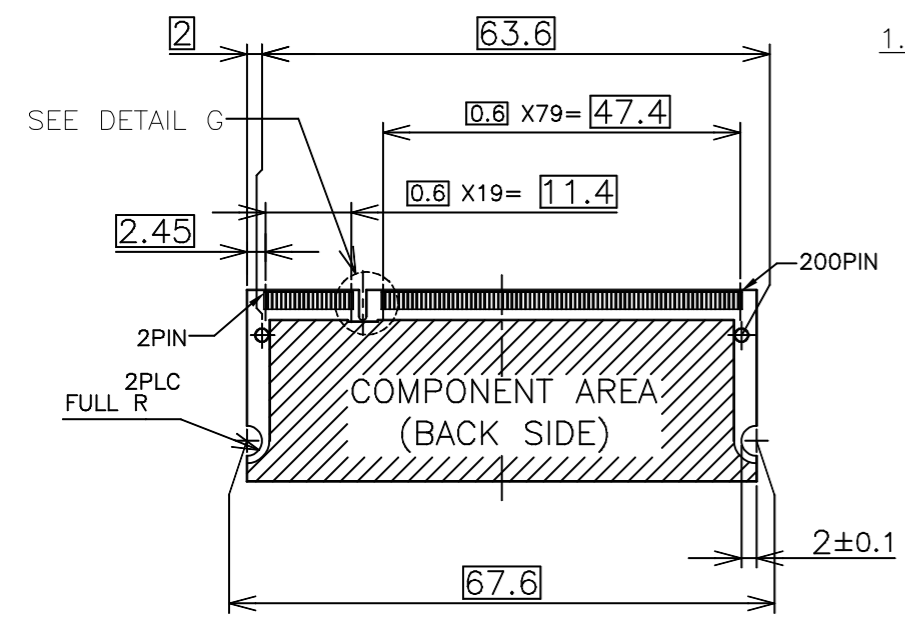
1.8V	17.55	2.4	2.7
POWER SUPPLY	D5	D4	D3

THIS DRAWING IS A CONTROLLED DOCUMENT.		DWN	Tyco Electronics		Tyco Electronics Corporation	
DIMENSIONS: MM		CHK	NAME		Kawasaki, Japan	
TOLERANCES UNLESS OTHERWISE SPECIFIED:		APVD	DDR SODIMM SOCKET 0.6mm PITCH 200POS			
0 PLC ±		PRODUCT SPEC	5.2H RVS TYPE			
1 PLC ±		APPLICATION SPEC	TO FIT AMC APPLICATIONS			
2 PLC ±		SIZE	CAGE CODE	DRAWING NO	RESTRICTED TO	
3 PLC ±		WEIGHT	A3	G-1981281		
4 PLC ±		CUSTOMER DRAWING				
ANGLES ±		SCALE	SHEET		OF	REV
FINISH		2:1	2		4	B

LOC J	DIST	REVISIONS		
P	LTR	DESCRIPTION	DATE	DWN
		SEE SHEET 1		APVD



- (APPLIED TO SHEET 3)
1. TOLERANCES ON ALL DIMENSIONS  $\pm 0.15$  UNLESS OTHERWISE SPECIFIED.
  2. P.C. BOARD THICKNESS APPLIES ACROSS TABS AND INCLUDES PLATING AND/OR METALIZATION.
  3. FINISH OF PAD : GOLD PLATING 0.00076 MIN. OVER Ni PLATING 0.002MIN.
- ▲ NO BURR  
 △ CHAMFER 0.25 MAX x 45° IF EXIST.



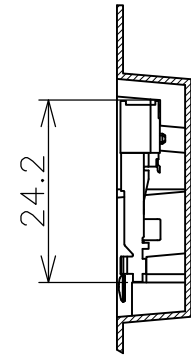
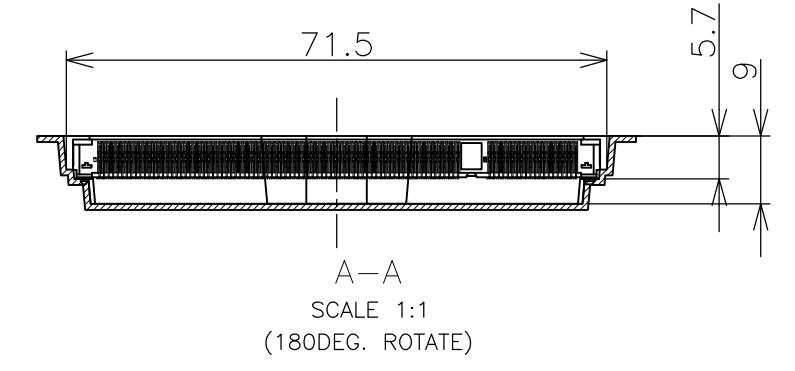
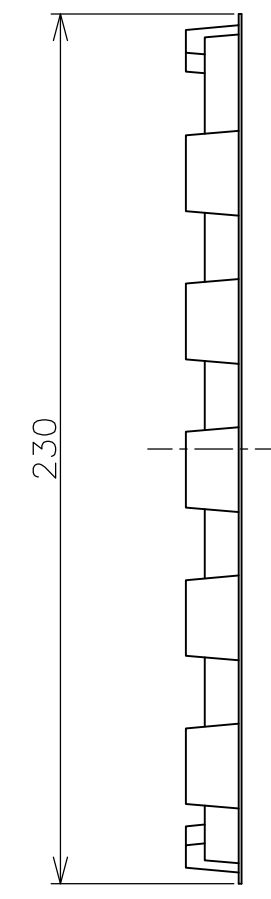
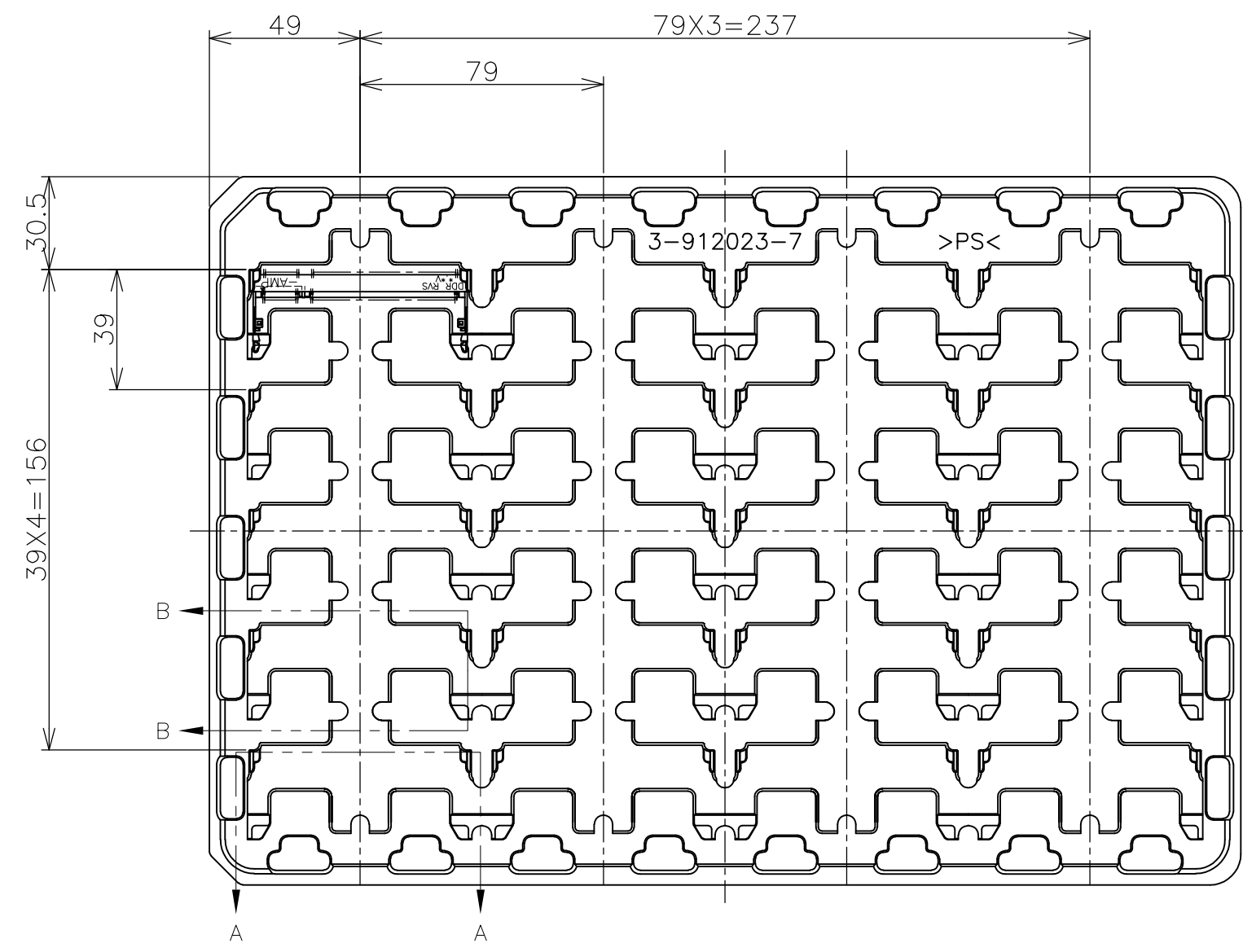
RECOMMENDED MATING P.C.B CONFIGURATION

THIS DRAWING IS A CONTROLLED DOCUMENT.		DWN
DIMENSIONS: MM		CHK
		APVD
TOLERANCES UNLESS OTHERWISE SPECIFIED:		PRODUCT SPEC
0 PLC	±	APPLICATION SPEC
1 PLC	±	WEIGHT
2 PLC	±	
3 PLC	±	
4 PLC	±	
ANGLES	±	
MATERIAL	FINISH	

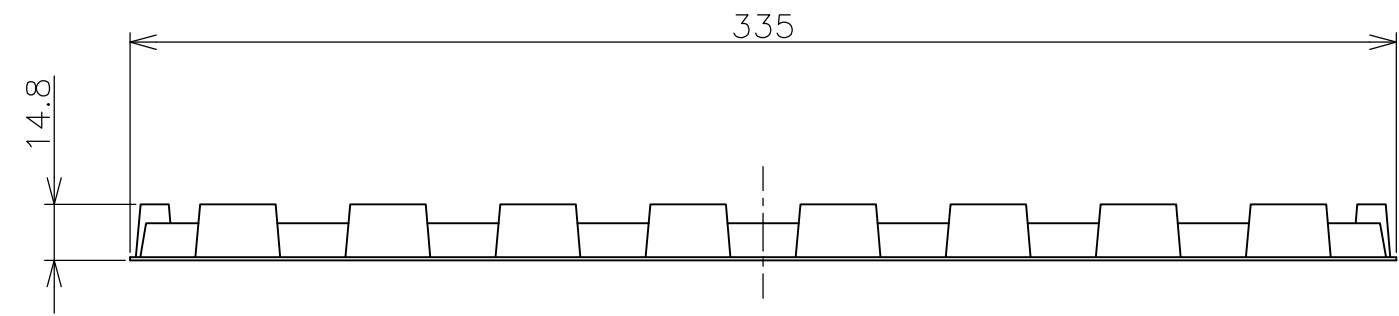
31.75	1.8V	17.55	2.4	2.7
25.4	POWER SUPPLY	D5	D4	D3
H	Tyco Electronics Corporation Kawasaki, Japan			
NAME DDR SODIMM SOCKET 0.6mm PITCH 200POS 5.2H RVS TYPE TO FIT AMC APPLICATIONS				
SIZE A3	CAGE CODE	DRAWING NO C-1981281	RESTRICTED TO	
CUSTOMER DRAWING		SCALE 1:1	SHEET 3 OF 4	REV B

THIS DRAWING IS UNPUBLISHED. RELEASED FOR PUBLICATION MAR ,2007.  
 © COPYRIGHT 2007 BY TYCO ELECTRONICS CORPORATION. ALL RIGHTS RESERVED.

LOC	DIST	REVISIONS			
P	LTR	DESCRIPTION	DATE	DWN	APVD
J		SEE SHEET 1	-	-	-



- (APPLIED TO SHEET 4)
1. THE DIRECTION OF EACH CONNECTOR ON A TRAY IS REFERRED TO THIS DRAWING.
  2. GENERAL TOLERANCE: ±0.5



20EA/TRAY	1981281-4
QTY	P/N

THIS DRAWING IS A CONTROLLED DOCUMENT.		DWN	Tyco Electronics Corporation Kawasaki, Japan			
DIMENSIONS: MM		CHK				
TOLERANCES UNLESS OTHERWISE SPECIFIED:		APVD	NAME			
0 PLC ± 0.5		PRODUCT SPEC	DDR SODIMM SOCKET 0.6mm PITCH 200POS			
1 PLC ± 0.5		APPLICATION SPEC	5.2H RVS TYPE			
2 PLC ± 0.5		WEIGHT	SIZE	CAGE CODE	DRAWING NO	RESTRICTED TO
3 PLC ± 0.5		CUSTOMER DRAWING	A3		C-1981281	
4 PLC ± 0.5			SCALE	SHEET	OF	REV
ANGLES ± 3°			1:2	4	4	B
FINISH						