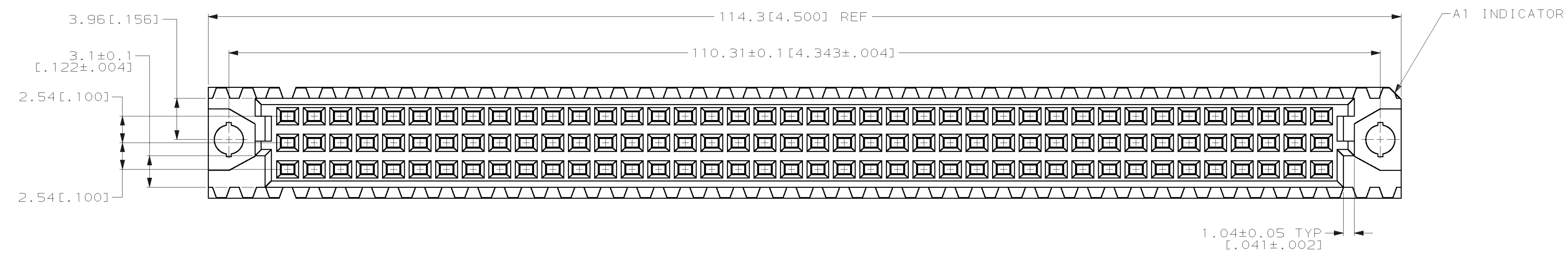
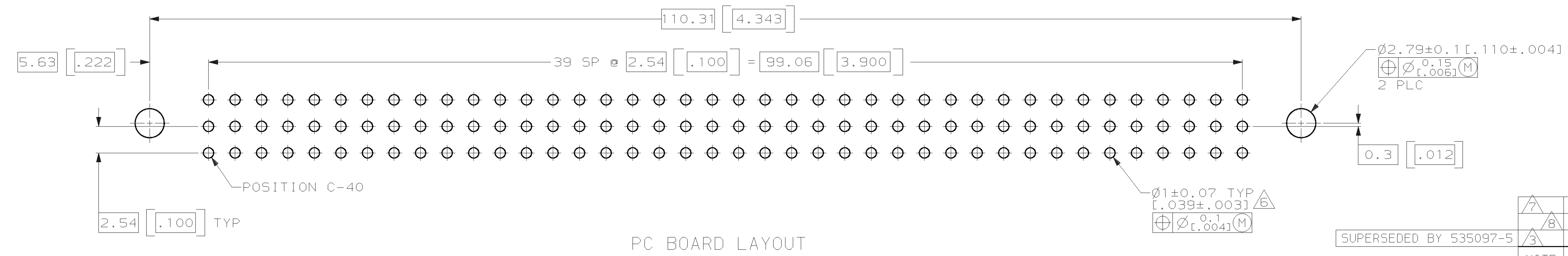
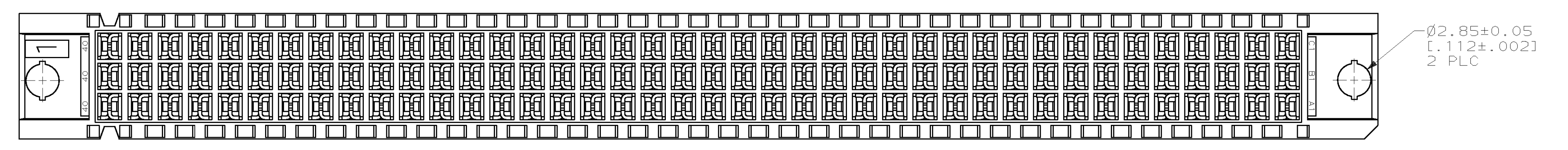
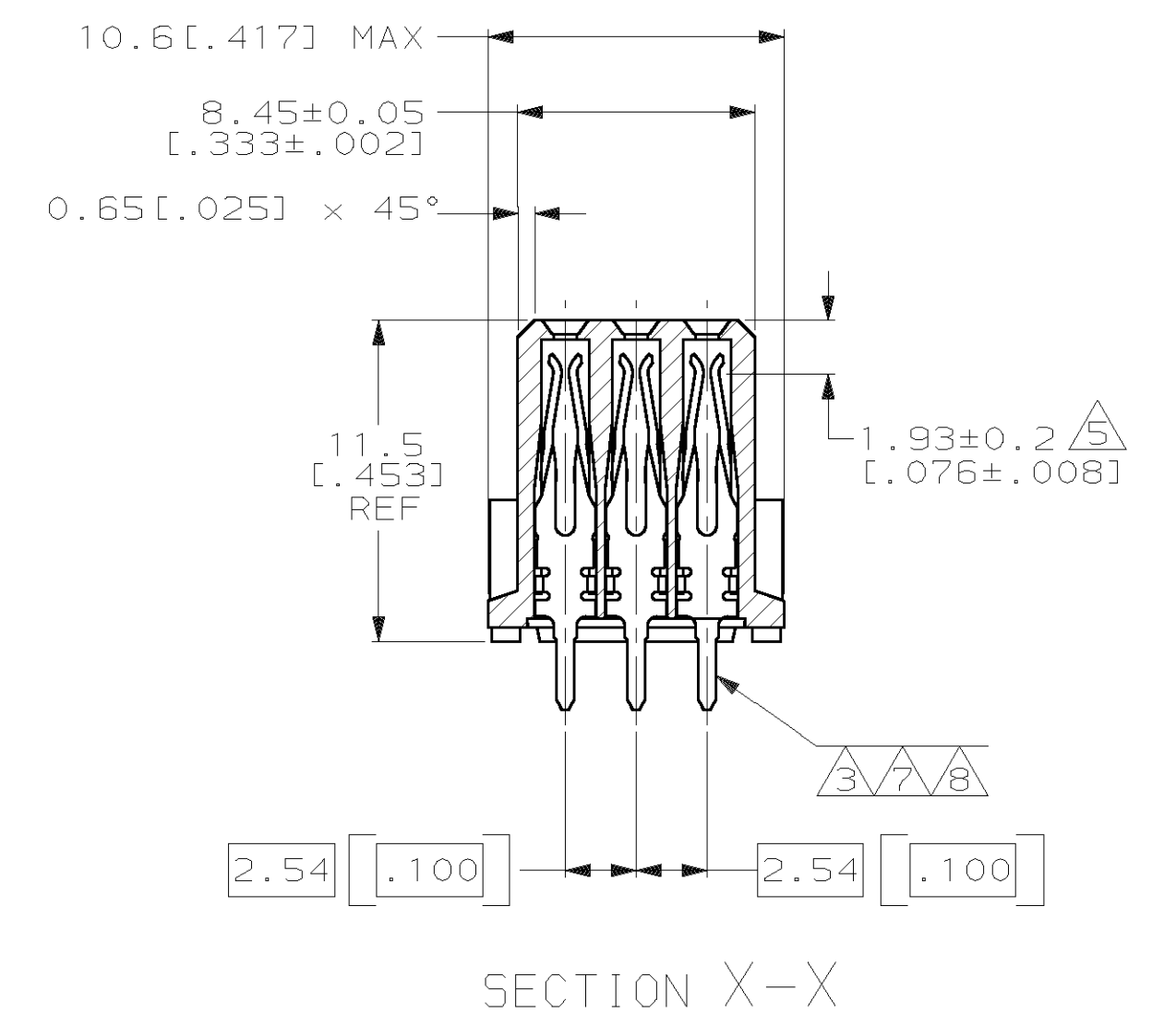
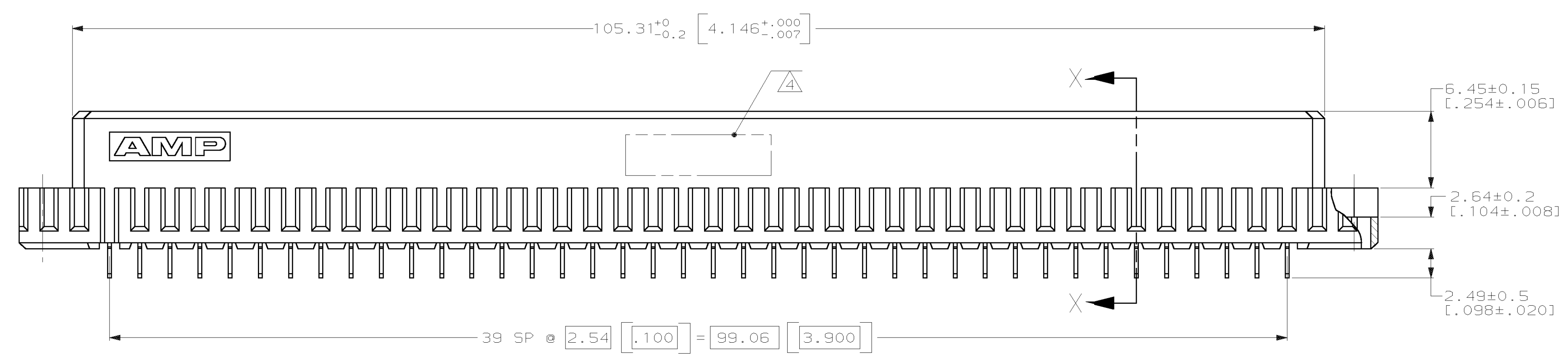


LOC	DIST	P	F	ZONE	LTR	DESCRIPTION	DATE	APPD
AD	25				F	REVISED PER 0503-0580-97	9-30-97	JG
					G	REV PER EC 001B-0367-00	04 JAN 01	CR



- △ HOUSING MATERIAL: GLASS-FILLED POLYESTER. COLOR: GRAY.
- △ CONTACT MATERIAL: PHOSPHOR BRONZE.
- △ CONTACT FINISH: 0.00076 [.000030] GOLD IN CONTACT AREA. 0.00127 [.000050] NICKEL UNDERPLATE ALL OVER. TIN-LEAD ON POSTS.
- △ PART NUMBER, DATE CODE IDENTIFICATION, CSA LOGO IN THIS APPROXIMATE AREA.
- △ POINT OF MEASUREMENT FOR GOLD.
- △ RECOMMENDED HOLE SIZE FOR MANUAL APPLICATION OF CONNECTOR ONTO PC BOARD.
- △ CONTACT FINISH: DIN 41612 CLASS 3 IN CONTACT AREA. TIN-LEAD ON POSTS.
- △ CONTACT FINISH: DIN 41612 CLASS 2 IN CONTACT AREA. TIN-LEAD ON POSTS.



NOTE	POSITIONS LOADED	C	B	A	NO. OF LOADED POSITION	ASSY PART NUMBER
△	1 THRU 40	X	X	X	120	535097-9
△	1 THRU 40	X	X	X	120	535097-5
△	1 THRU 40	X	X	X	120	535097-4

DO NOT SCALE PRINT. UNLESS SPECIFIED DIMENSIONS IN mm [INCHES] TOLERANCES - ON : 2 PLC DEC ± - 3 PLC DEC ± 0.13 [.005] ANGLES ± -		DR L. BRINER 6/11/89	AMP INCORPORATED Harrisburg, Pa. 17105
MATERIAL HSG △ CONT △		CHK R. PATTERSON 1/17/96	
FINISH CONT △△△		APPD R. PATTERSON 1/17/96	
APPLICATION SPEC -		APPD R. PATTERSON 1/17/96	
SIZE D	FSCM NO 00779	DRAWING NO 535097	
WEIGHT -	SCALE 4:1	SHEET 1 OF 1	