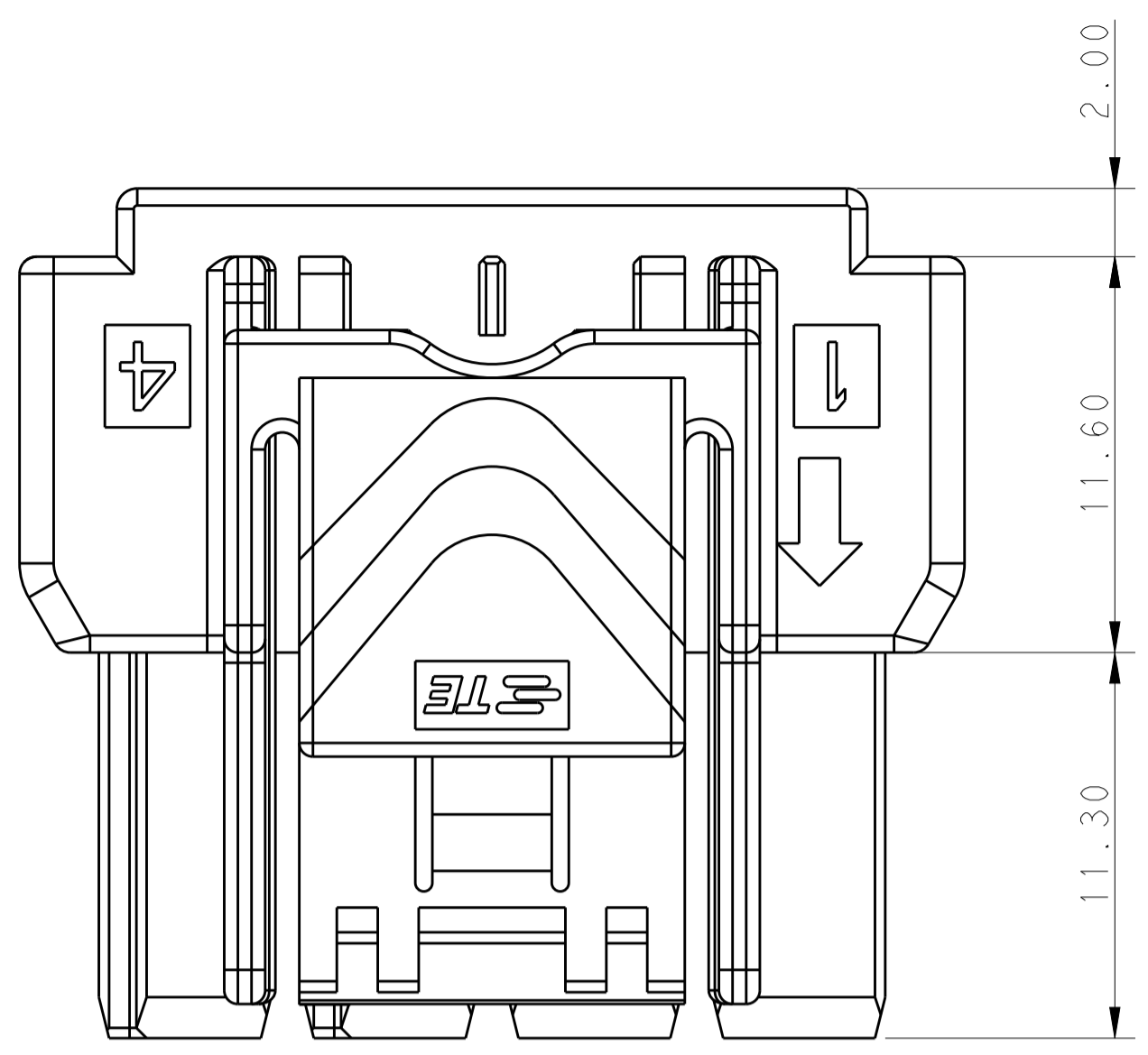
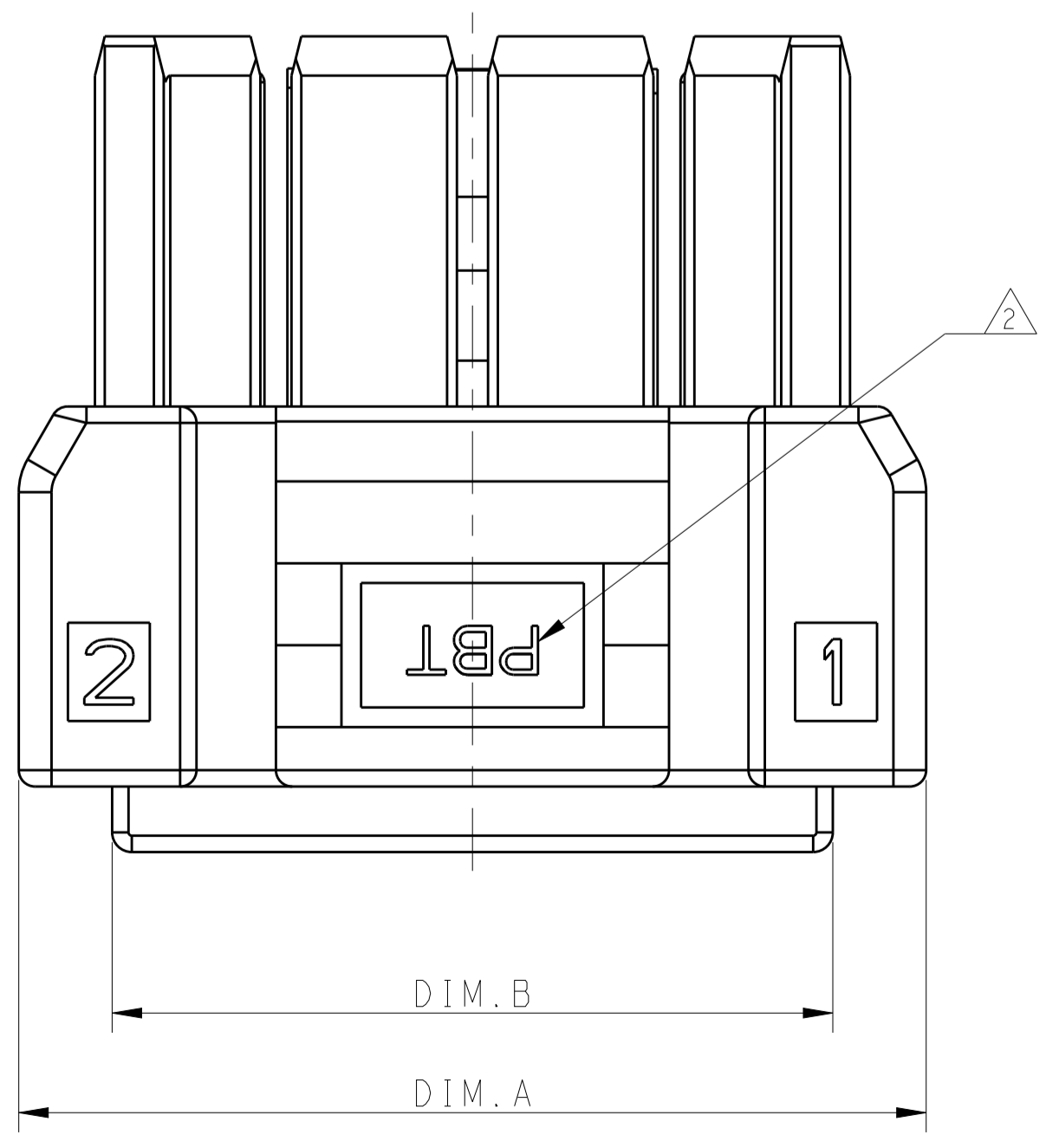
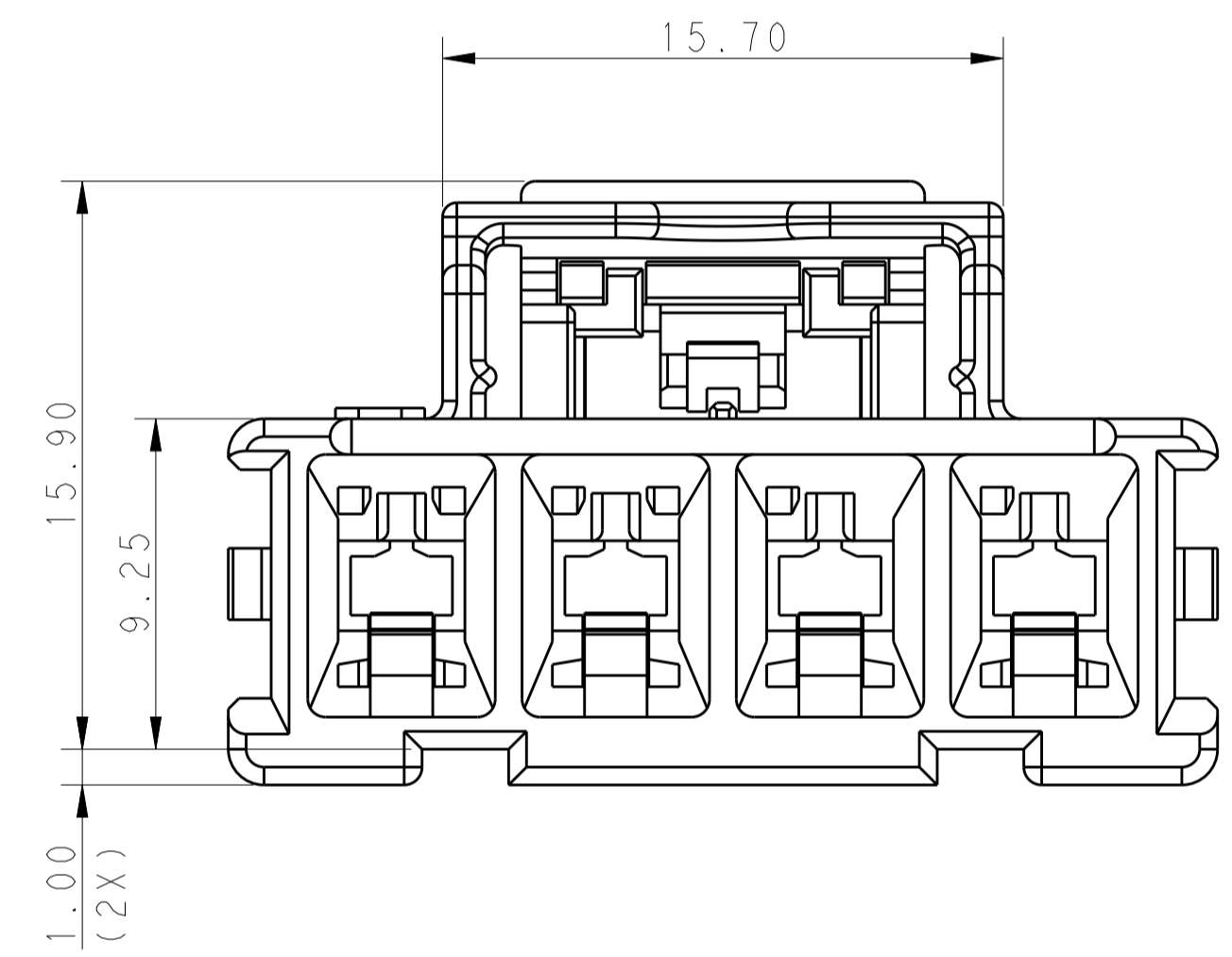
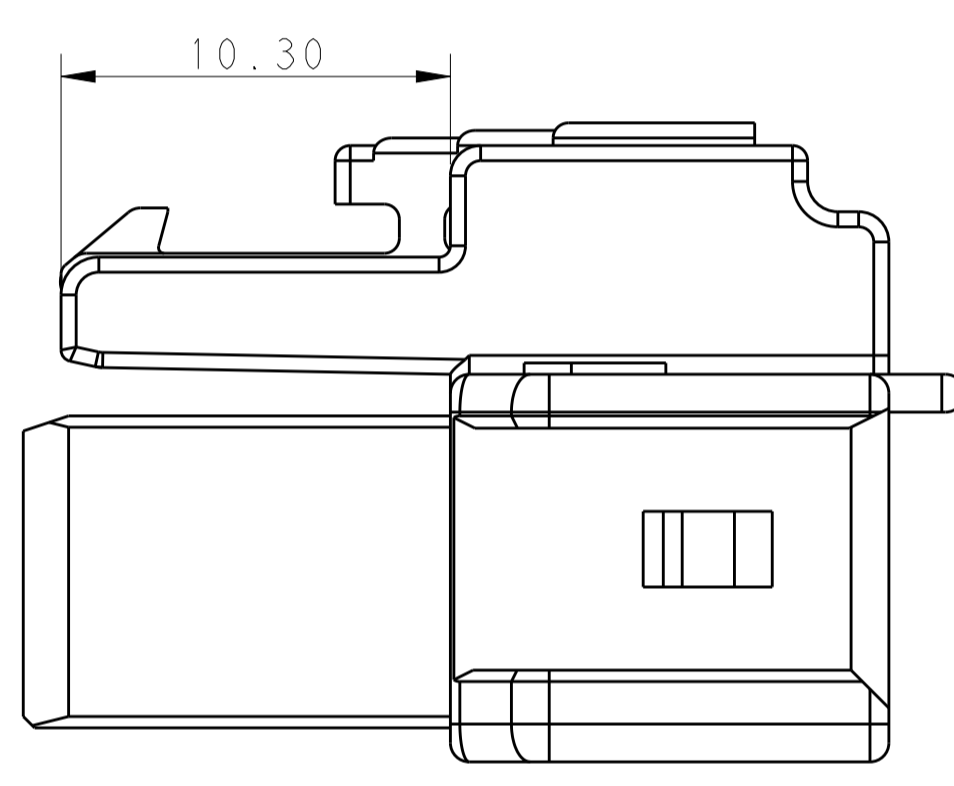
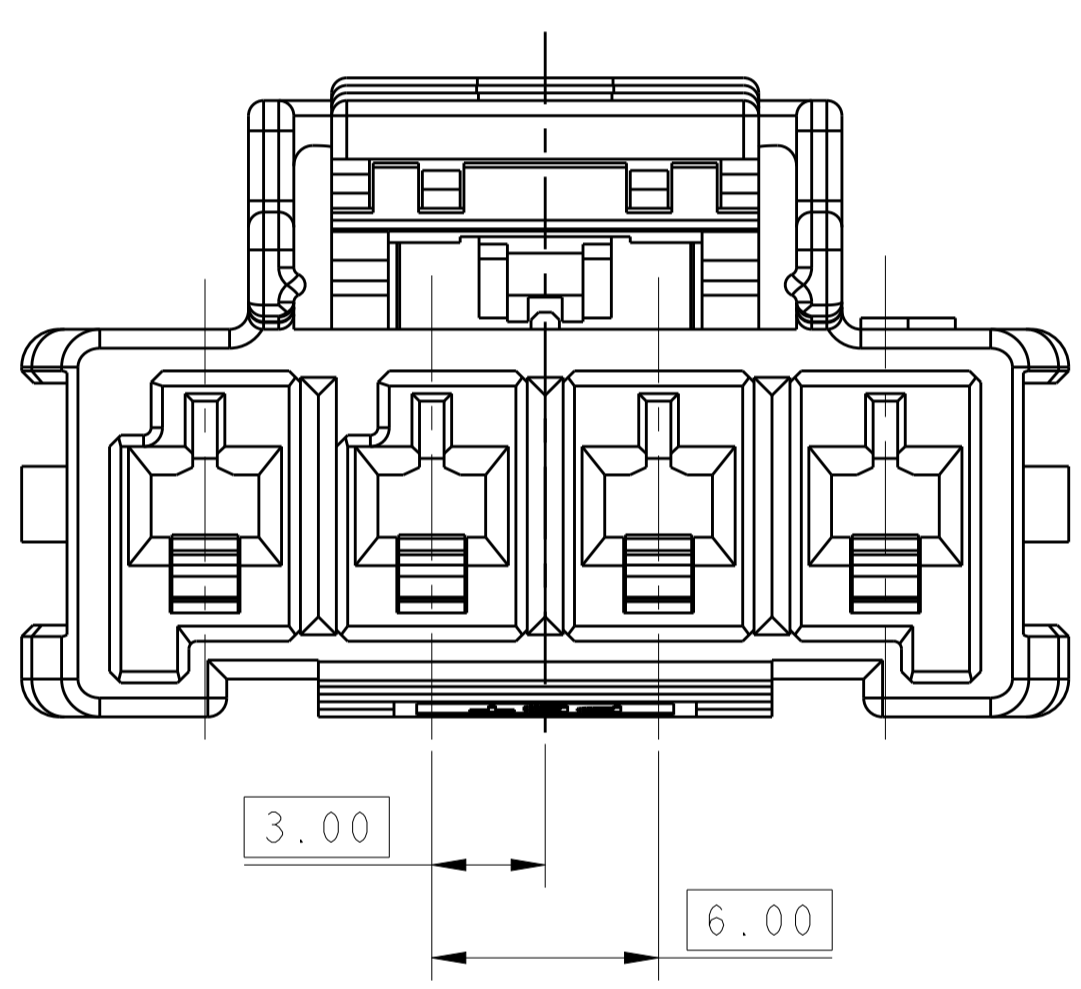


LOC		DIST		REVISIONS			
P	LTN	DESCRIPTION	DATE	DWN	APVD		
D		REVISED PER ECO-16-009784	30JUN16	RS	GJ		



POS.	DIM. A	DIM. B
1*5	33.70	28.00
1*4	27.70	22.00
1*3	21.70	16.00
1*2	15.70	10.00



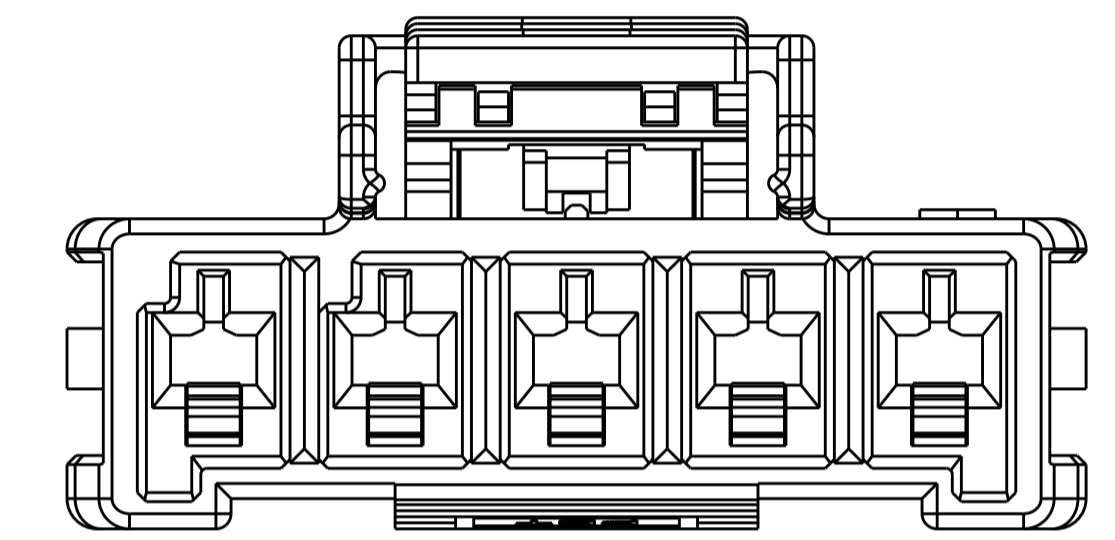
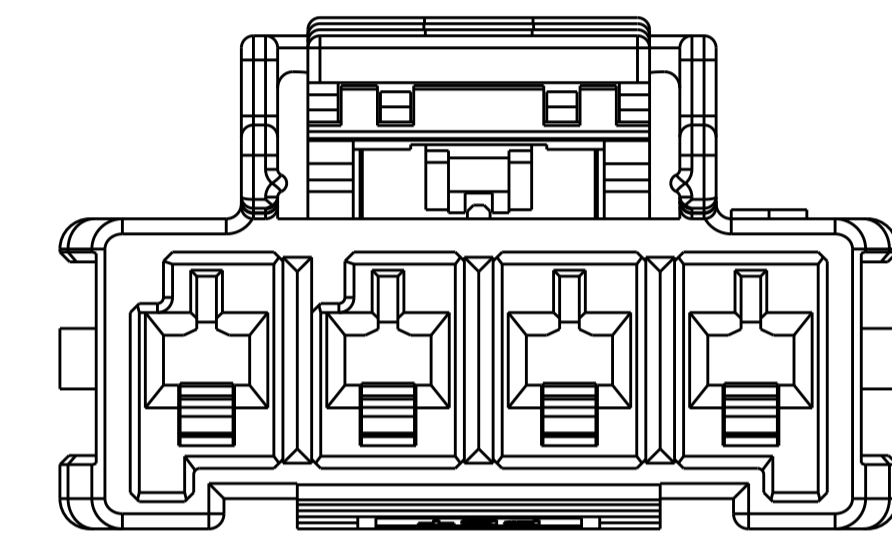
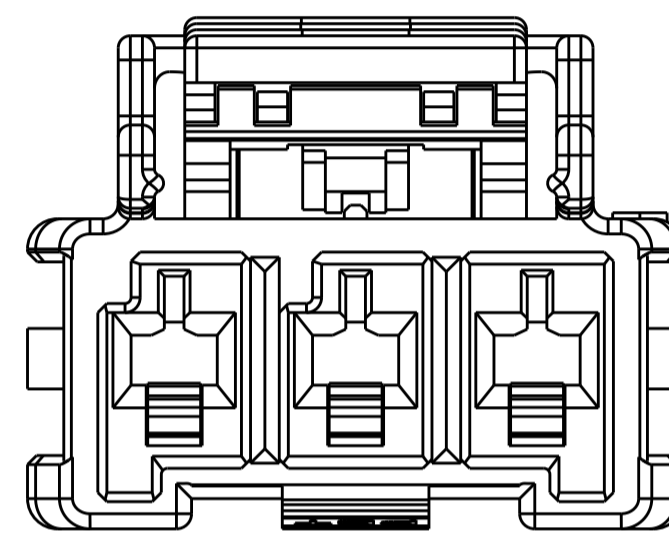
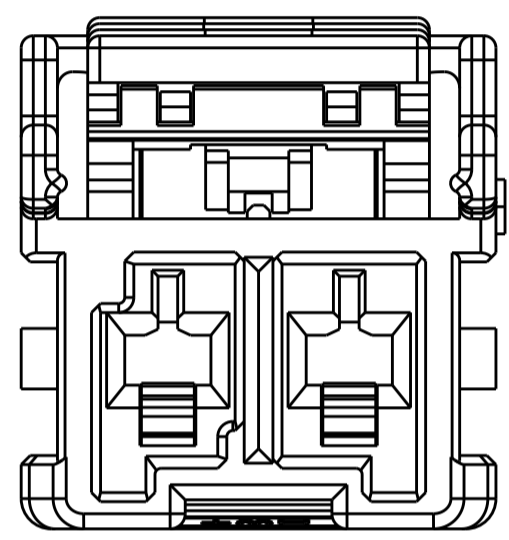
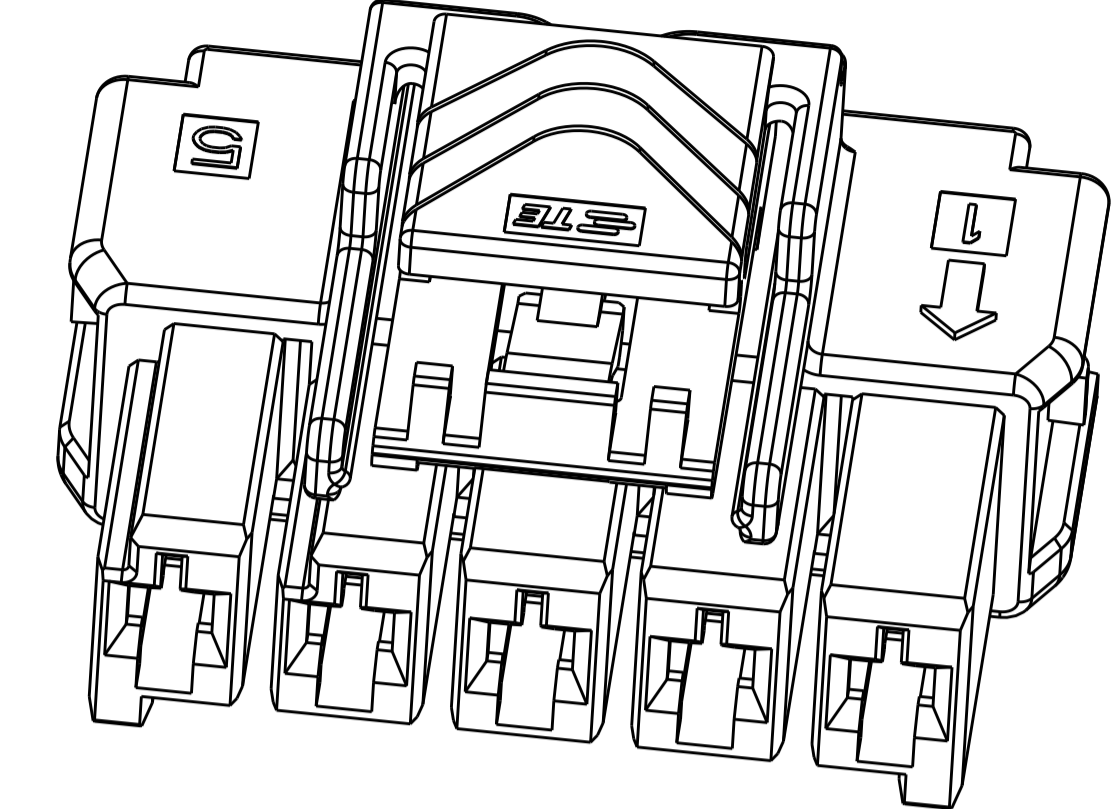
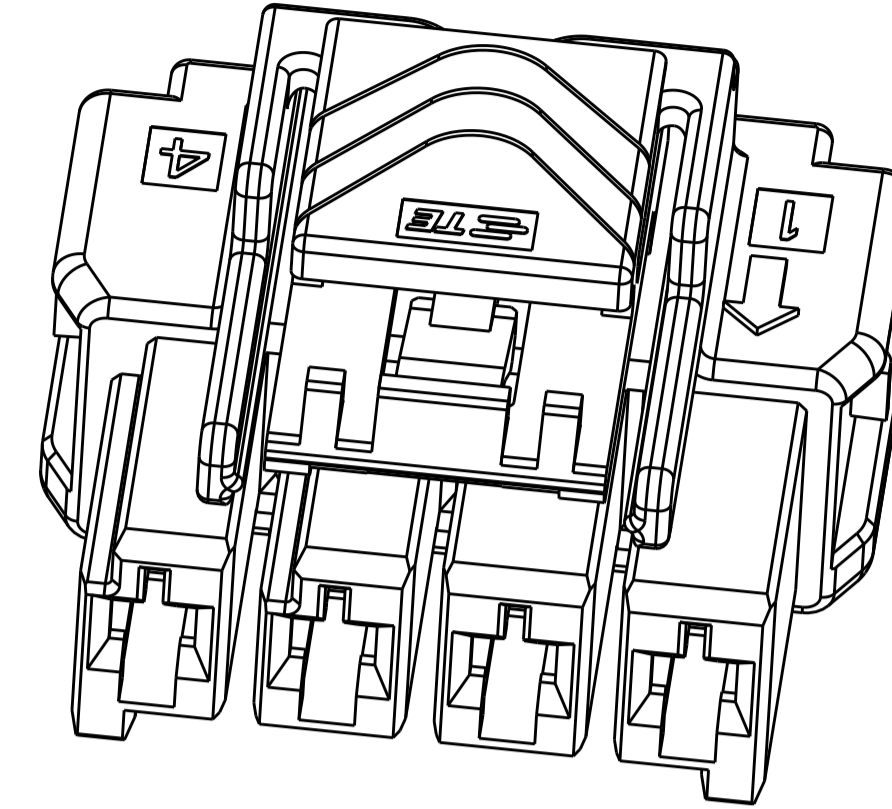
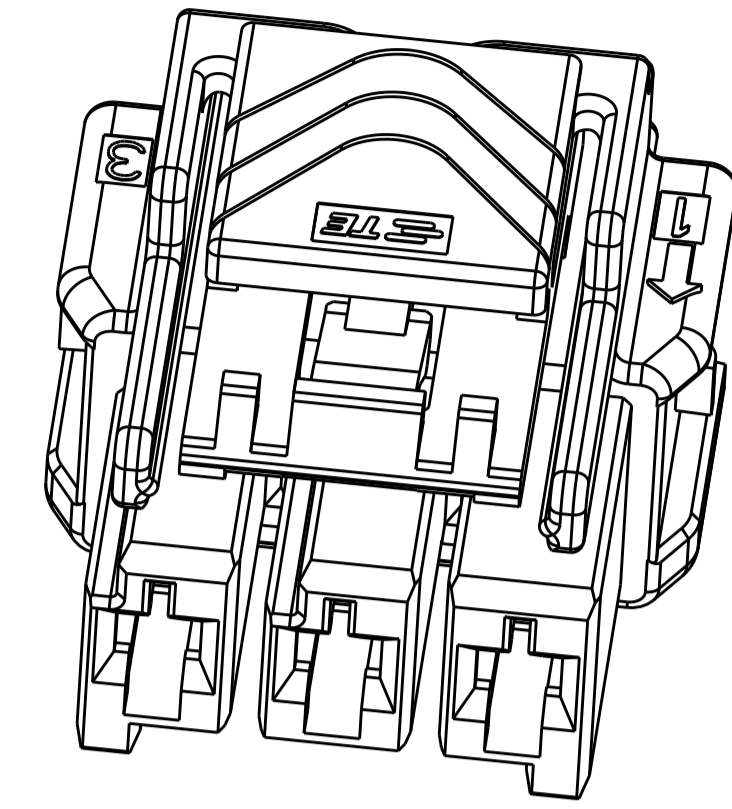
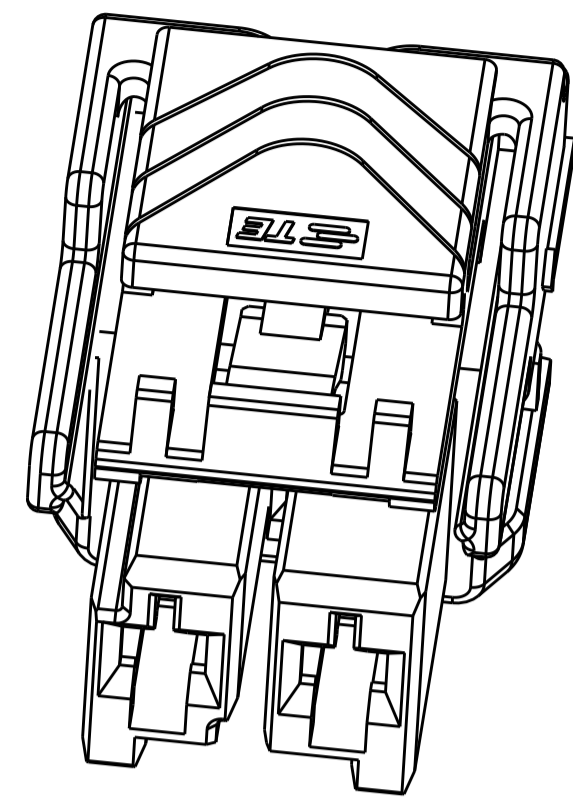
- 1 MATERIAL:
 LEVEL 1: PBT, STANDARD TEMPERATURE 105°C
 KEY A: NATURAL; KEY B: PURPLE; KEY C: BLUE; KEY D: YELLOW

 LEVEL 2: NYLON, HIGH TEMPERATURE 150°C
 KEY A: LIGHT GREY; KEY B: RED; KEY C: BLACK; KEY D: NATURAL
- 2 MATERIAL MARK:
 LEVEL 1: PBT, LEVEL 2: HDT
- 3 APPLICABLE CONTACT P/N
 RECEPTACLE CONTACT: 1971237/1971779/81/83/85/87-* , 2238066-*
- 4 MATING CONN, P/N
 CAP HSG: *-1971771/2-* AND HEADER: *-1969688-*
 TPA (LOCKING PLATE): *-1971777-*

5 This product has not completed validation testing.

THIS DRAWING IS A CONTROLLED DOCUMENT.		DWN: TOMMY_WU 09JUL2012	TE Connectivity
DIMENSIONS:		CHK: HAPYE_WU 09JUL2012	
TOLERANCES UNLESS OTHERWISE SPECIFIED:		APVD: YUHONG_MAO 09JUL2012	NAME: PLUG HOUSING, SINGLE ROW POWER TRIPLE LOCK
mm	0 PLC ±-	PRODUCT SPEC: 108-106118	SIZE: A1
	1 PLC ±0.35	APPLICATION SPEC: 114-106118	CAGE CODE: 1971773
	2 PLC ±0.25	WEIGHT: -	RESTRICTED TO: -
	3 PLC ±-	Customer Drawing	SCALE: 5:1
	4 PLC ±-		SHEET 1 OF 2
	ANGLES ±-		REV D
	FINISH -		

LOC		DIST		REVISIONS			
P	LTN	DESCRIPTION	DATE	DWN	APVD		
-	-	SEE SHEET 1	-	-	-		

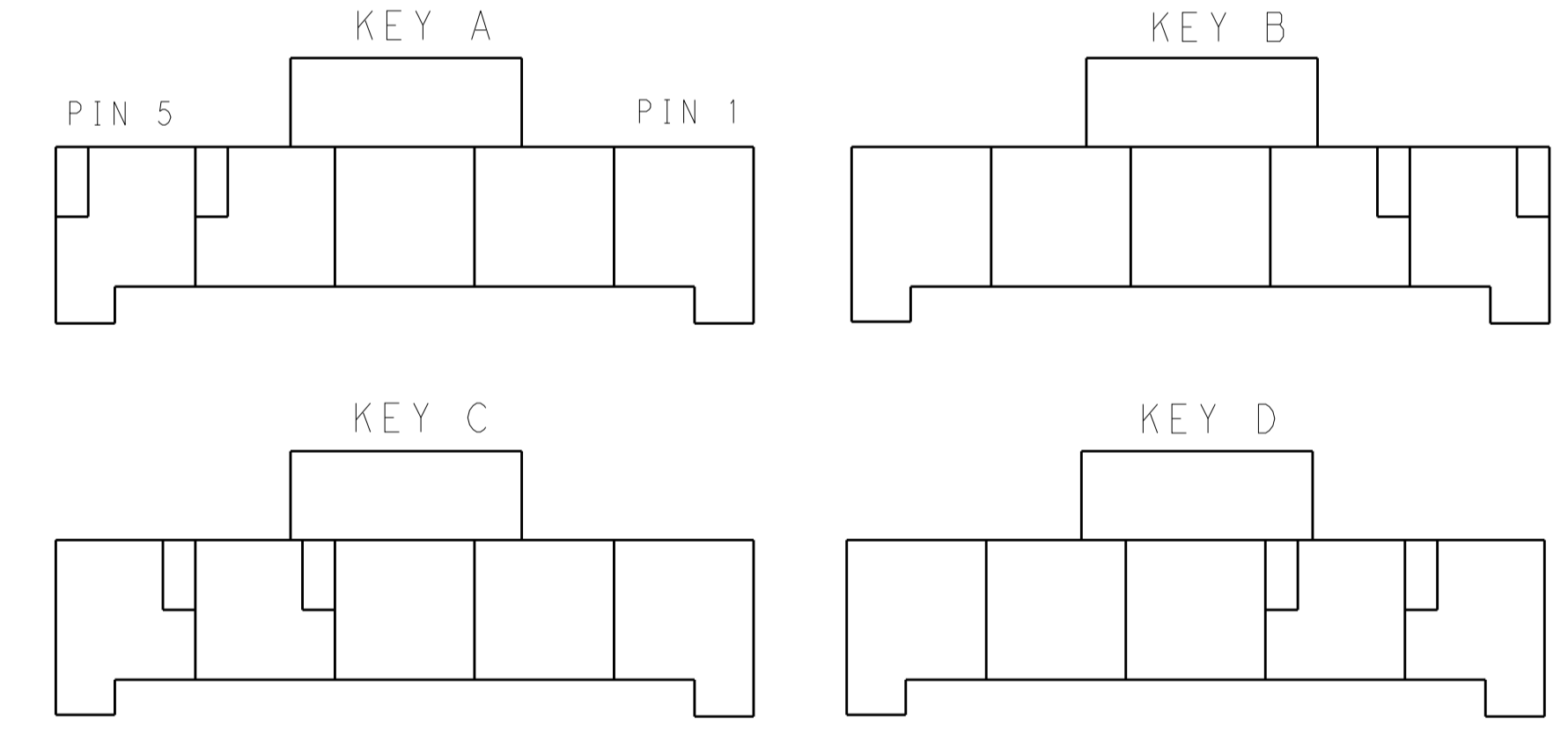
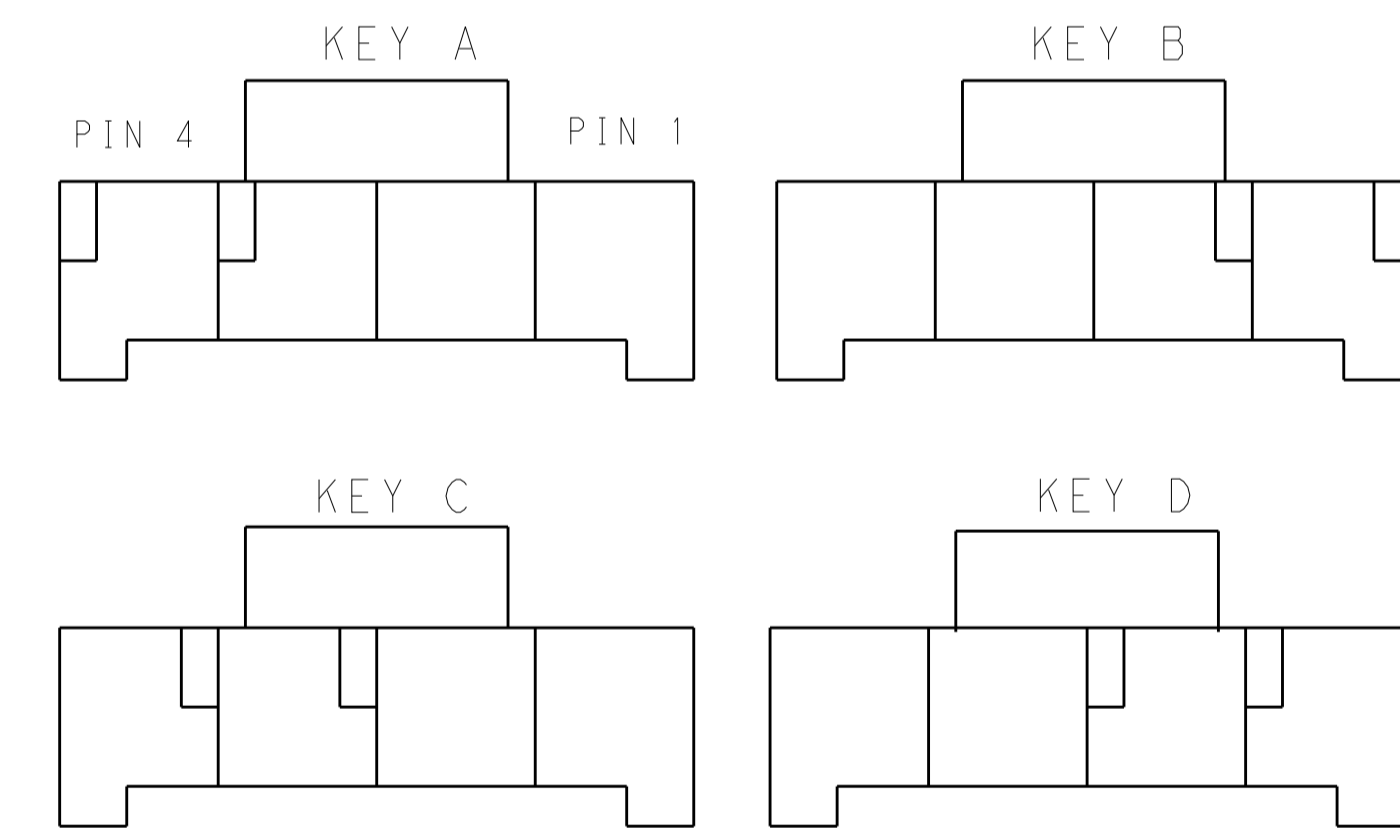
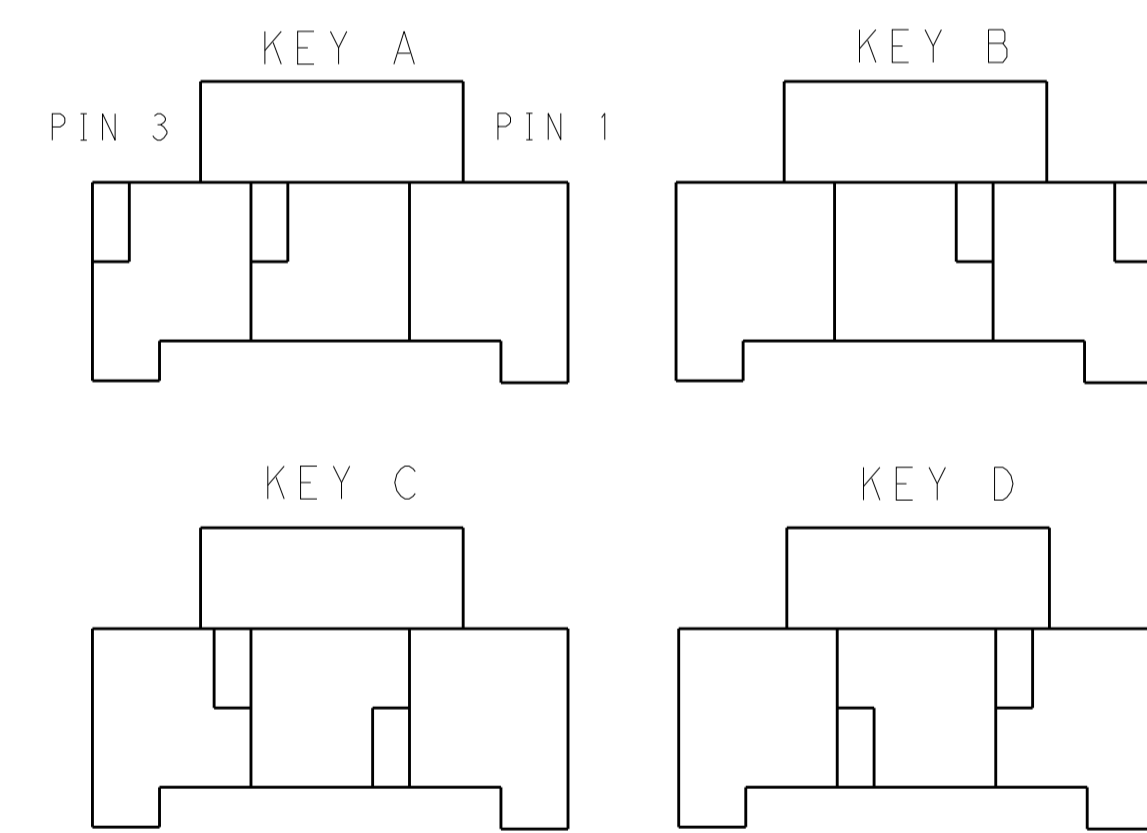
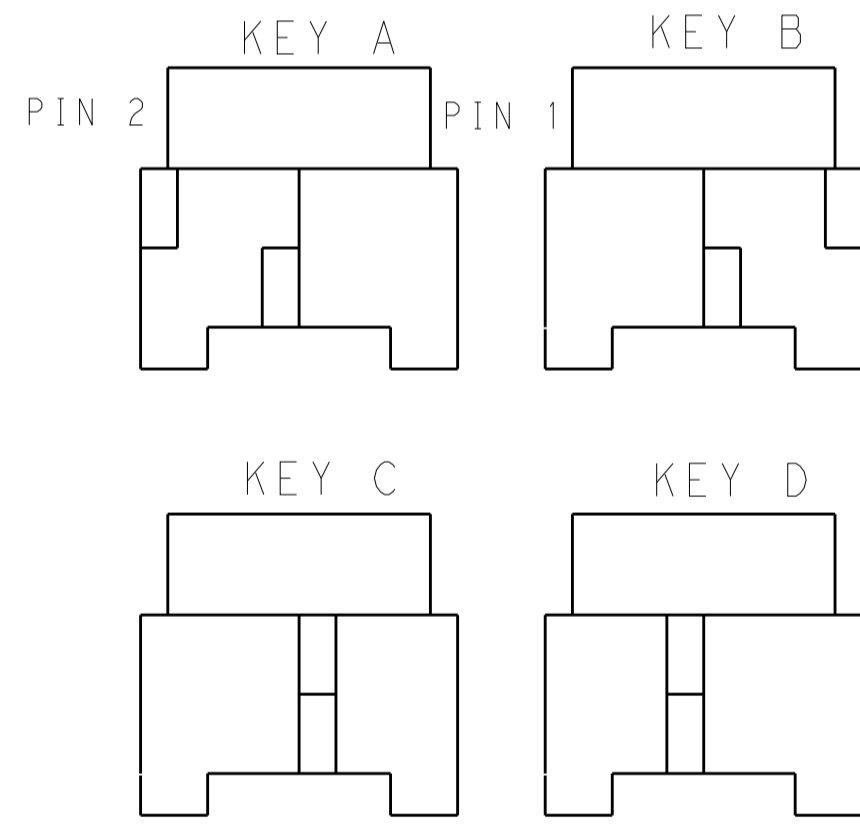


1*2 POSITIONS

1*3 POSITIONS

1*4 POSITIONS

1*5 POSITIONS



KEYING FOR 1*2 POS.

KEYING FOR 1*3 POS.

KEYING FOR 1*4 POS.

KEYING FOR 1*5 POS.

POS.	MATERIAL	KEY	P/N
1*3	LEVEL 1	KEY A	1-1971773-3
		KEY B	2-1971773-3
		KEY C	3-1971773-3
		KEY D	4-1971773-3
	LEVEL 2	KEY A	5-1971773-3
		KEY B	6-1971773-3
		KEY C	7-1971773-3
		KEY D	8-1971773-3
1*2	LEVEL 1	KEY A	1-1971773-2
		KEY B	2-1971773-2
		KEY C	3-1971773-2
		KEY D	4-1971773-2
	LEVEL 2	KEY A	9-1971773-2
		KEY B	6-1971773-2
		KEY C	7-1971773-2
		KEY D	8-1971773-2

POS.	MATERIAL	KEY	P/N
1*5	LEVEL 1	KEY A	1-1971773-7
		KEY B	2-1971773-7
		KEY C	3-1971773-7
		KEY D	4-1971773-7
	LEVEL 2	KEY A	5-1971773-7
		KEY B	6-1971773-7
		KEY C	7-1971773-7
		KEY D	8-1971773-7
1*4	LEVEL 1	KEY A	1-1971773-4
		KEY B	2-1971773-4
		KEY C	3-1971773-4
		KEY D	4-1971773-4
	LEVEL 2	KEY A	5-1971773-4
		KEY B	6-1971773-4
		KEY C	7-1971773-4
		KEY D	8-1971773-4

THIS DRAWING IS A CONTROLLED DOCUMENT.

DIMENSIONS: mm

TOLERANCES UNLESS OTHERWISE SPECIFIED:

0 PLC	±
1 PLC	±0.35
2 PLC	±0.25
3 PLC	±
4 PLC	±
ANGLES	±

MATERIAL: - FINISH: -

Customer Drawing

DWN: TOMMY WU 09JUL2012
CHK: HAPYE WU 09JUL2012
APVD: YUHONG MAO 09JUL2012

NAME: PLUG HOUSING, SINGLE ROW POWER TRIPLE LOCK

PRODUCT SPEC: 108-106118
APPLICATION SPEC: 114-106118

SIZE: A1
CAGE CODE: 100779
DRAWING NO: 1971773

RESTRICTED TO: -

SCALE: 4:1 SHEET 2 OF 2 REV D