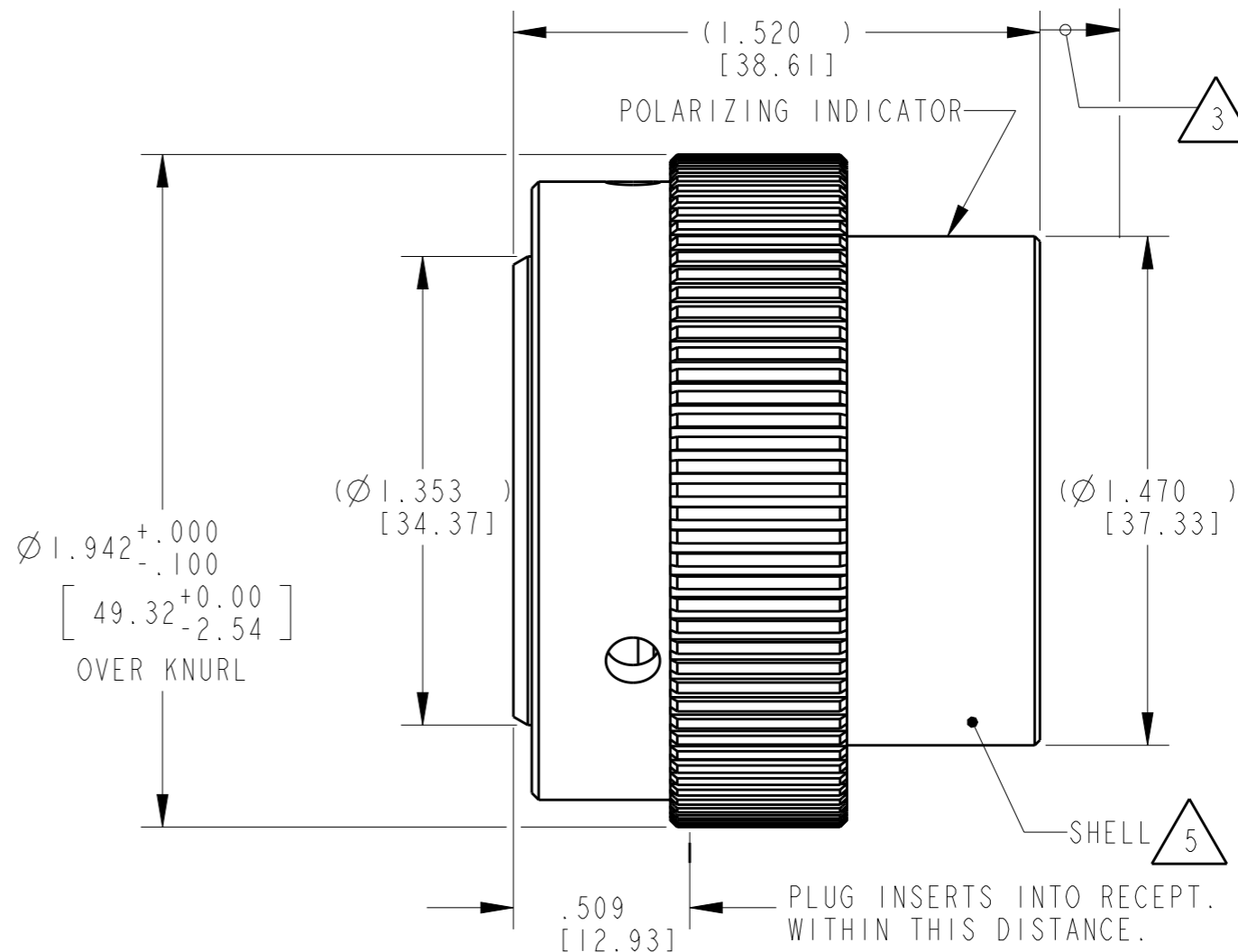
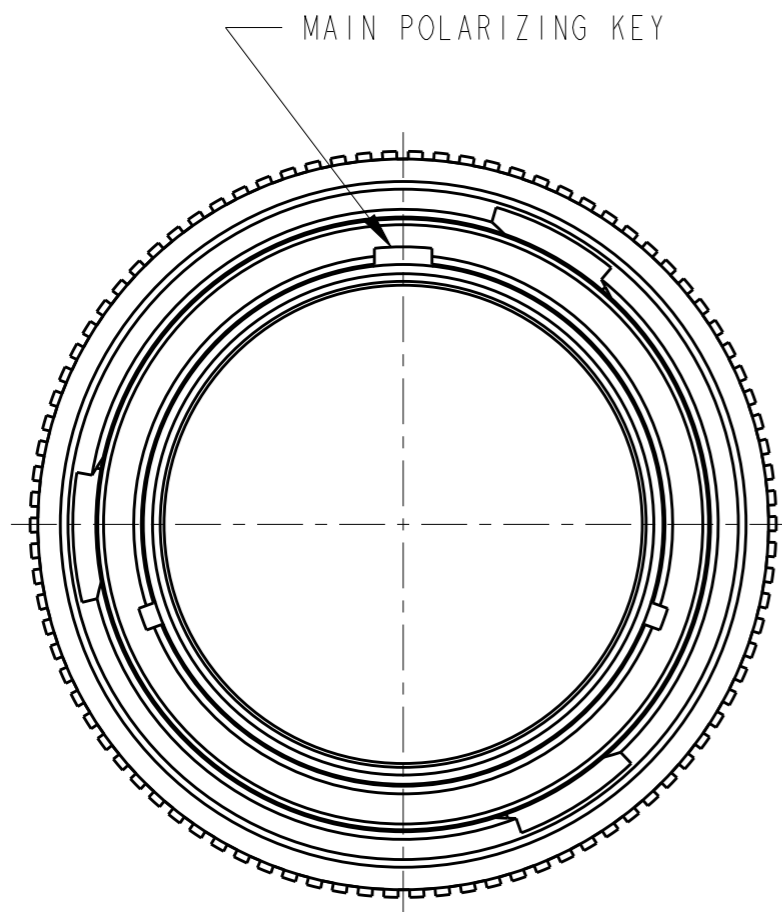


LOC	DIST	REVISIONS			
P	LTR	DESCRIPTION	DATE	DWN	APVD
-	-	NC	NEW RELEASE PER E.O. A14915	04DEC1995	- RDR
		A	REVISED PER E.O. P18134	23MAY2003	- RDR
		B	REVISED PER E.O. P18565	20SEP2004	- RDR
		B1	REVISED PER ECO-15-001798	12AUG2014	PV DM



5. MATERIAL:
 PLUG HOUSING: AL 6000 SERIES
 SHELL MATERIAL: METAL
 INSULATOR : PLASTIC


4. THIS SHELL MATES WITH HD34-24-XXP/SX-XXXX

3. TOTAL DIM. WITH EXTENDED WIRE SEAL (WITH CONTACTS #4 OR #8 ONLY) = 1.750±.050 [44.45±1.27].

2. SEE DRAWING 0425-014-2400 FOR ARRANGEMENT OF CONTACT LOCATION.

1. CONSULT THE FACTORY FOR ELECTRICAL AND MATERIAL SPECIFICATIONS.

NOTES:

THIS DRAWING IS A CONTROLLED DOCUMENT.		DWN 30OCT2014 VIJETH BHARADWAJ	 TE Connectivity													
DIMENSIONS: INCHES [mm]		CHK 31OCT2014 I. GRANTCHAROVA			NAME											
TOLERANCES UNLESS OTHERWISE SPECIFIED:		APVD 31OCT2014 D. MEYER	PLUG CONNECTOR, SHELL SIZE 24 BAYONET COUPLING HD30 SERIES													
<table border="0"> <tr><td>0 PLC</td><td>±-</td></tr> <tr><td>1 PLC</td><td>±-</td></tr> <tr><td>2 PLC</td><td>±-</td></tr> <tr><td>3 PLC</td><td>±.01 [±.254]</td></tr> <tr><td>4 PLC</td><td>±-</td></tr> <tr><td>ANGLES</td><td>±0° 30' 0"</td></tr> </table>		0 PLC	±-	1 PLC	±-	2 PLC	±-	3 PLC	±.01 [±.254]	4 PLC	±-	ANGLES	±0° 30' 0"	PRODUCT SPEC 0425-015-0000	SIZE	RESTRICTED TO
0 PLC	±-															
1 PLC	±-															
2 PLC	±-															
3 PLC	±.01 [±.254]															
4 PLC	±-															
ANGLES	±0° 30' 0"															
MATERIAL SEE NOTE		FINISH -	APPLICATION SPEC 0425-016-0000	CAGE CODE												
			WEIGHT -	DRAWING NO												
			Customer Drawing	SCALE 2:1												
				SHEET 1 OF 1												
				REV B1												