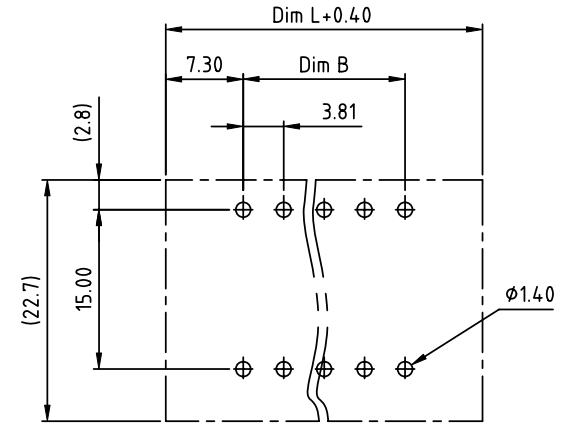
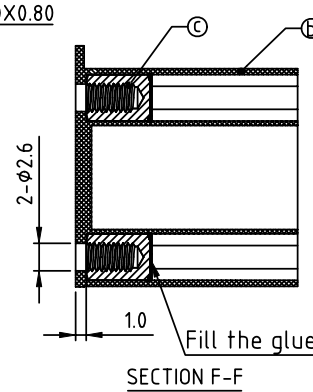
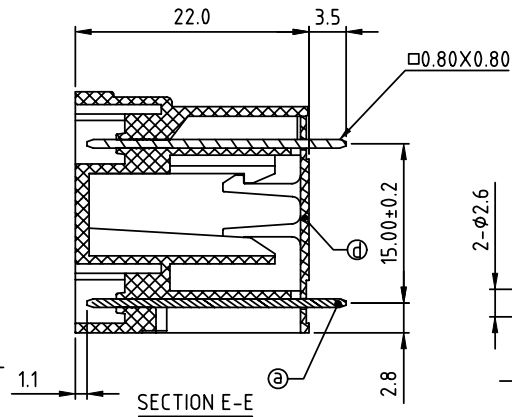
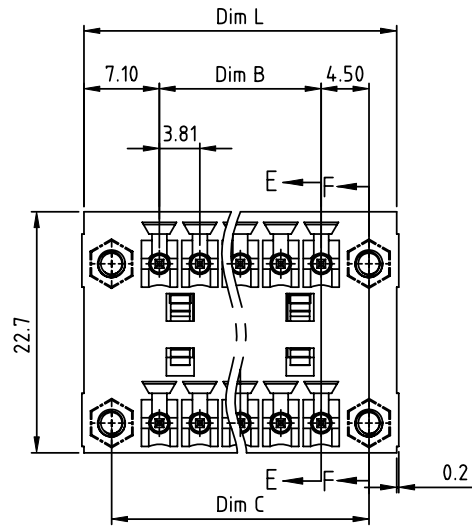


PRODUCT NUMBER	PITCH
VLxx32x000J0G	3.81 mm



RECOMMENDED P.C.B LAYOUT  
TOP VIEW

Material:

- ItemⒶPin: Copper Tin plated
  - ItemⒷTerminal(housing): Thermoplastic (UL94 V-0)
  - ItemⒸWith flange nut: Brass ,M2.5
  - ItemⒹTerminal(cover): Thermoplastic (UL94 V-0)
- Electrical: cULus
- Voltage rating: 300V
  - Current rating: 10A
  - Withstanding Voltage: 1.6 KV
  - Operating temperature: -40°C to +115°C
  - Soldering temperature: 260°C±5°C/5 Sec
  - Safety Approval: cULus

N=Number of poles  
 Dim L=(N/2-1)×3.81+14.2  
 Dim B=(N/2-1)×3.81  
 Dim C=(N/2-1)×3.81+9.0

Poles	Tolerance
2x2-2x6p	±0.15
2x7-2x12p	±0.25
2x13-2x18p	±0.35
2x19-2x24p	±0.40

PART NO.: VL xx 3 2 x 0 00J0 G

	Color	RoHS compliant
Solid block	0 Black (RAL9005)	(lead<4%)
No. of poles	2 Red (RAL3001/D)	In copper Alloy
04 2x2poles	3 Orange(RAL2011/P)	
06 2x3poles	4 Yellow(RAL1018/A)	
...	5 Green(RAL6018/T)	
48 2x24poles	6 Blue (RAL5015/A)	
	8 Grey(RAL7035/D)	
	9 White(RAL1102)	
	C Green(RAL6018/U)	

mat'l. code		surface ASME Y14.5	tolerance ASME Y14.5	projection	product family TERMINAL BLOCK
ltr	ecn no	dr	date	 MM	title TERMINAL BLOCK PLUGGABLE SOCKET, WITH FLANGE, VERTICAL
		angles	$X.±0.5$ $X.X±0.3$ $X'±1"$	scale	dwg no VLxx32x000J0G
		dr	EVIN ZHONG 042814		sheet 1 of 1 size A4
		enr	EVIN ZHONG 042814		type CUSTOMER Drawing
		chr	HANKE FENG 042814		
		appd	SHI JUN 042814		
sheet index	revision sheet	A	1		