

General Specifications

Motor Protection:

Auto Restart/Polarity Protection

Insulation Resistance:

10M Ω or over with a DC500V Megger

Dielectric Withstand Voltage: AC 700V 1s

Allowable Ambient Temperature Range:

-10°C ~ +70°C (Operating)

-40°C ~ +70°C (Storage)

(non-condensing environment)

Expected Life

40°C 30,000 Hours (L10)

Material

Casing : Plastic (Black) UL94V-0

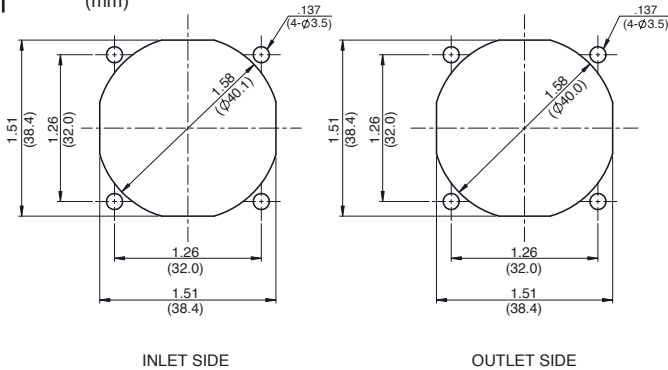
Impeller : Plastic (Black) UL94V-0

Bearing : Sleeve Bearing

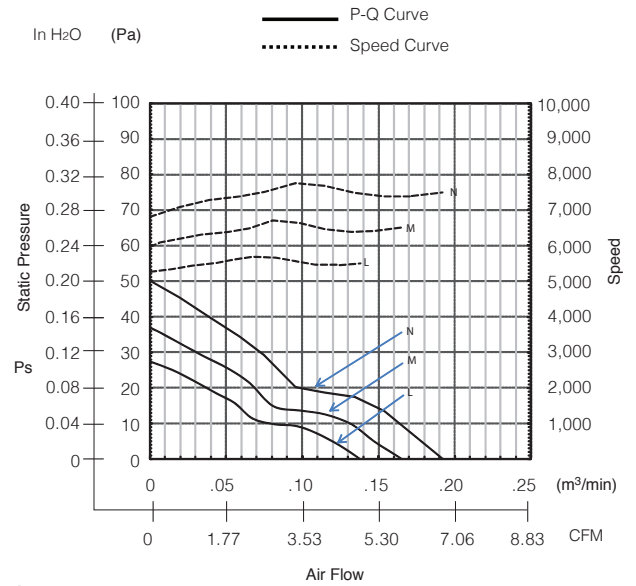
Lead Wire : UL1061, AWG26, +Red, -Black, (tach) White

Panel Cut-Outs

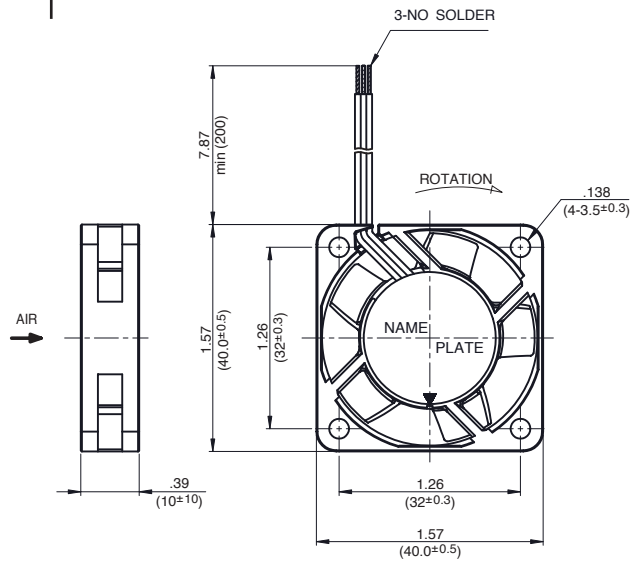
Units: $\frac{\text{inch}}{\text{mm}}$



Characteristic Curves



Outline



Specifications

MODEL	Rated Voltage	Operating Voltage	Current	Input Power	Speed	Max. Air Flow		Max. Static Pressure		Noise	Mass
	(V)	(V)	(A) ^{*1}	(W) ^{*1}	(min ⁻¹) ^{*1}	CFM ^{*1}	(m ³ /min) ^{*1}	in H ₂ O	(Pa) ^{*1}	(dB) ^{*1}	(g)
04010SS-12L-AT-00	12	10.2 ~ 13.8	.033	0.40	5500	4.94	.14	.11	27.5	21.0	16
04010SS-12M-AT-00	12	10.2 ~ 13.8	.050	0.60	6500	5.65	.16	.15	37.0	24.0	16
04010SS-12N-AT-00	12	10.2 ~ 13.8	.059	0.71	7500	6.71	.19	.20	50.0	29.0	16
04010SS-24L-AT-00	24	20.0 ~ 26.4	.024	0.58	5500	4.94	.14	.11	27.5	21.0	16
04010SS-24M-AT-00	24	20.0 ~ 26.4	.029	0.70	6500	5.65	.16	.15	37.0	24.0	16
04010SS-24N-AT-00	24	20.0 ~ 26.4	.046	1.10	7500	6.71	.19	.20	50.0	29.0	16

Rotation: Clockwise

Airflow Outlet: Air Out Over Struts

*1: Average Values in Free Air

Note: PWM/Locked Rotor/Tach Available