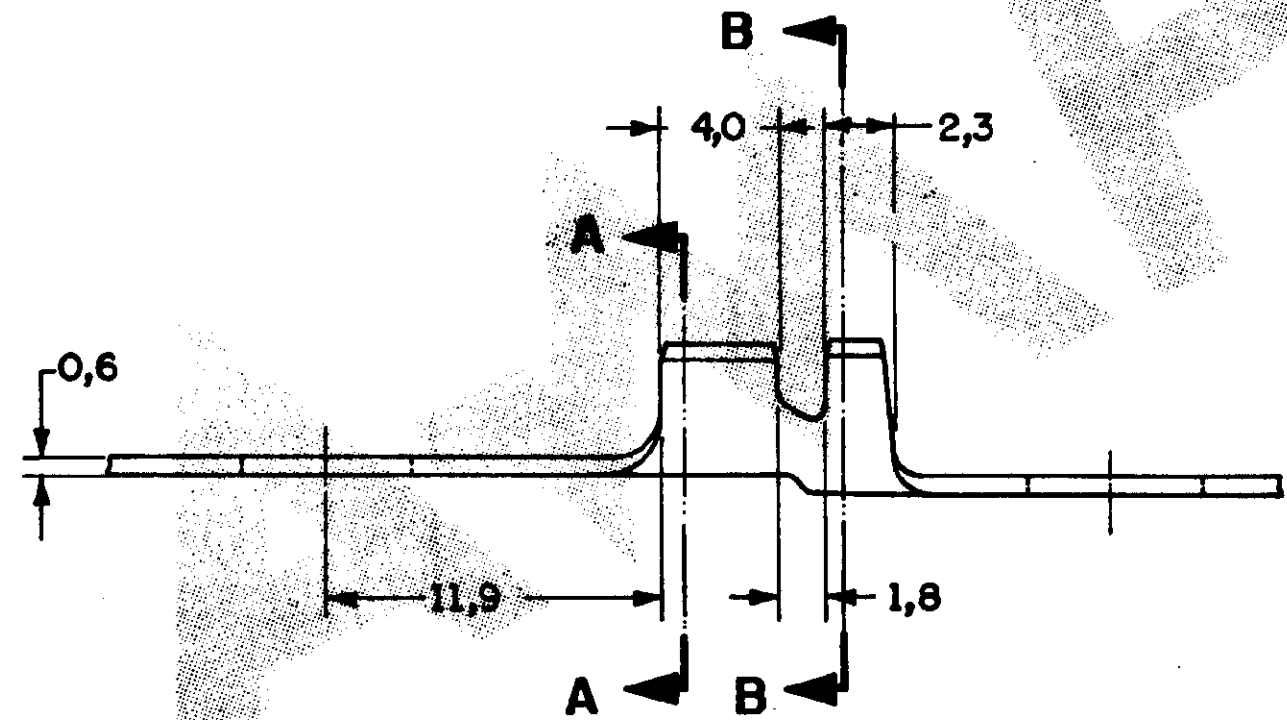
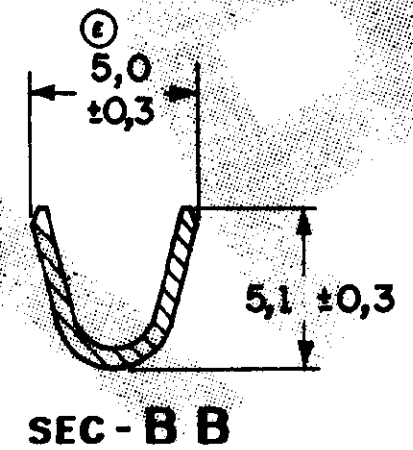
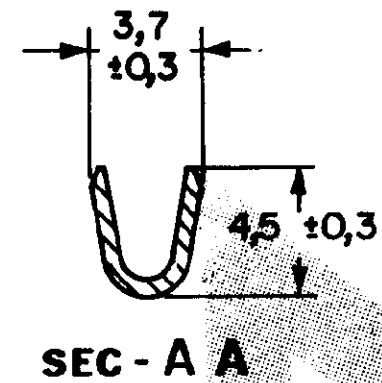
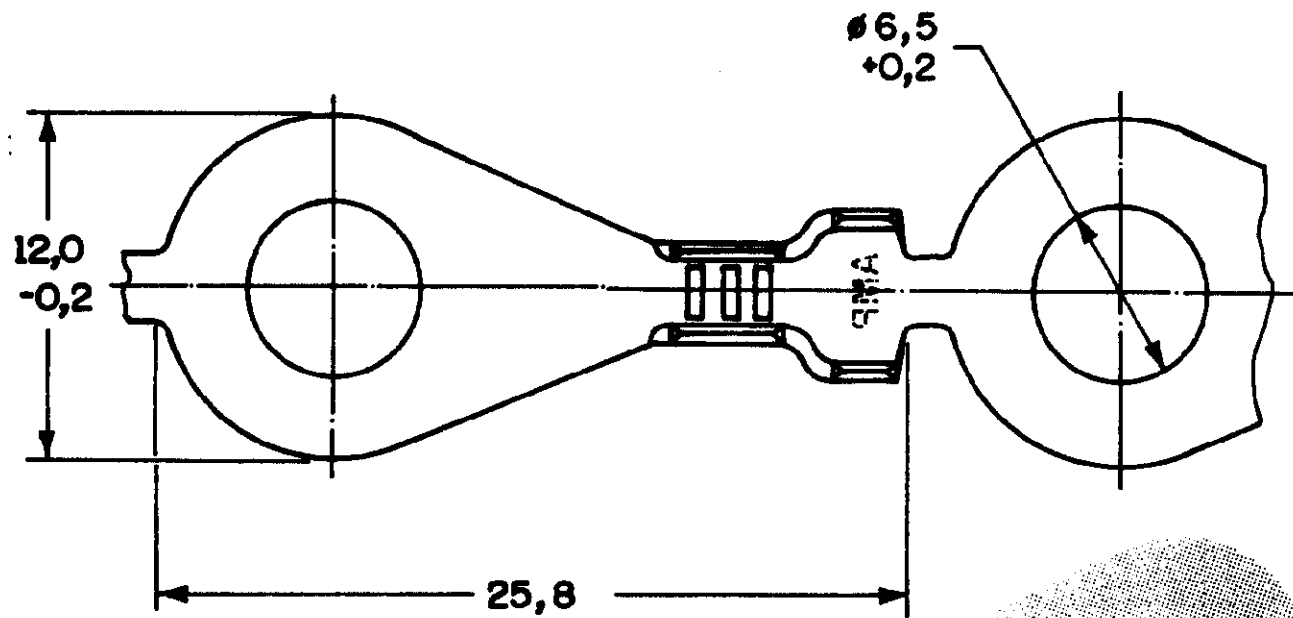
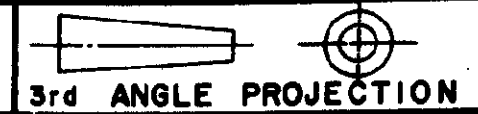


C626034

DO NOT SCALE  
DIMENSIONS IN

**METRIC**



OTHER TREATMENT	FINISH	MATERIAL	PART NUMBER
	ESTANHADO	PHOSPHOR BRONZE	626034-4
		PHOSPHOR BRONZE	626034-3
	ESTANHADO	LATAO	626034-2
		LATAO	626034-1

<b>CUSTOMER DWG</b> for REFERENCE ONLY				THIS DRAWING IS UNPUBLISHED RELEASED FOR PUBLICATION					
				© COPYRIGHT IS BY AMP DO BRASIL LTDA S.P. ALL INTERNATIONAL RIGHTS RESERVED AMP PRODUCTS MAY BE COVERED BY U.S. AND FOREIGN PATENTS AND/OR PATENTS PENDING.					
				TOLERANCES UNLESS OTHERWISE STATED		IND. DIA. RANGE	WIRE RANGE	SCALE	
				SEC. ± 0,3		2,2-3,8mm	1,0-2,5 mm <sup>2</sup>	4:1	
				DR. M.R. Briz 07-Jan-92					
				CHK. <i>[Signature]</i> 08-01-92					
				DESCRIPTION					
				RING TONGUE					
				APP. <i>[Signature]</i> JAN 8, 1992		SHEET 10/1			
				A3		DWG NO C626034			