

DO NOT SCALE FROM THIS PRINT

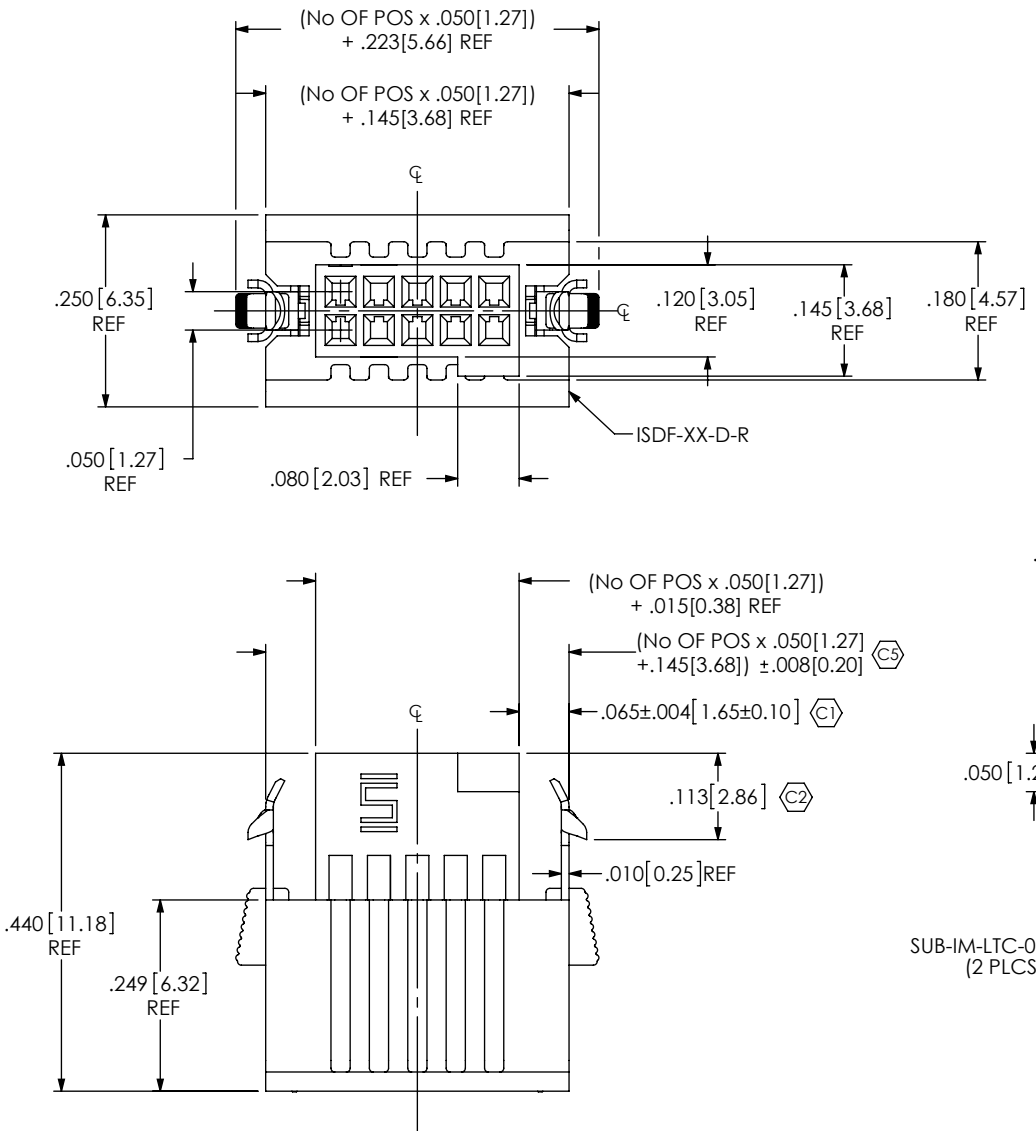
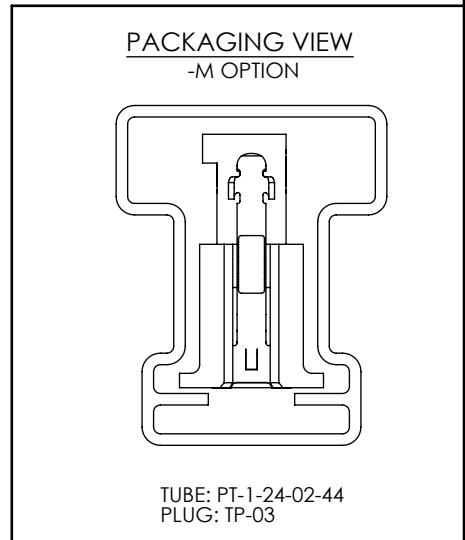
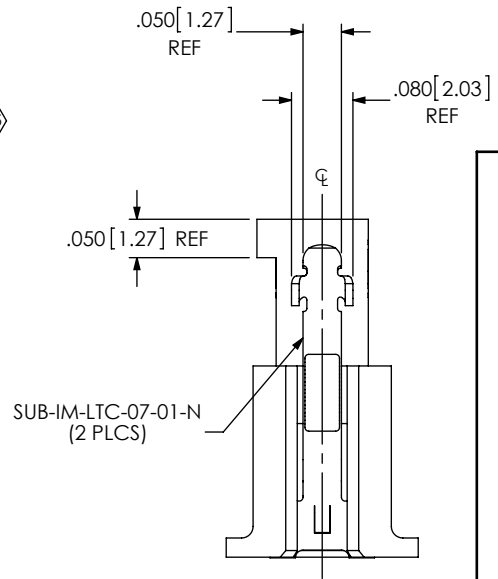
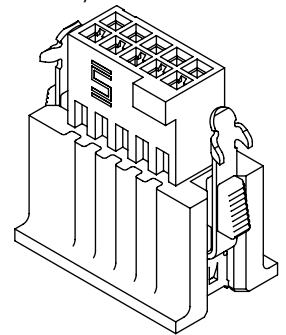


FIG 1
ISDF-05-D-M SHOWN

ISDF-XX-D-X

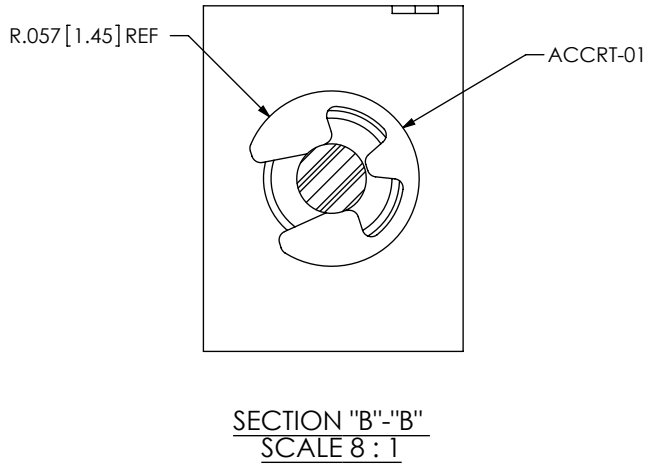
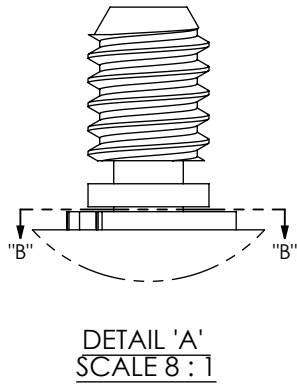
- No OF POSITIONS: -02 THRU -50 (PER ROW)
- ROW SPECIFICATION: -D: DOUBLE
- OPTIONS:
- LEAVE BLANK: NO KEY (SEE FIG 1)
 - M: METAL RETENTION LATCH (SEE FIG 1)
 - S: DUAL SCREW DOWN (SEE SHT 2, FIG 2)
 - C: CHAMFER (SEE SHT 3, FIG 3) (7 POSITION ONLY)
 - L: FRICTION LOCK (SEE SHEET 3, FIG 4) (AVAILABLE ON POS *-05, *-07, -10 THRU -50)

(* = NOT AVAILABLE WITH POLARIZATION KEY)

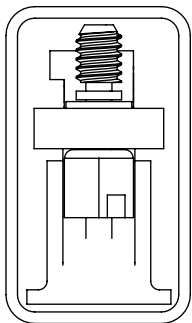


- NOTES:
- \textcircled{C} REPRESENTS A CRITICAL DIMENSION.
 - LATCH RETENTION FORCE: .5 LB [2.22N].
 - PARTS TO BE PACKAGED IN TUBES.

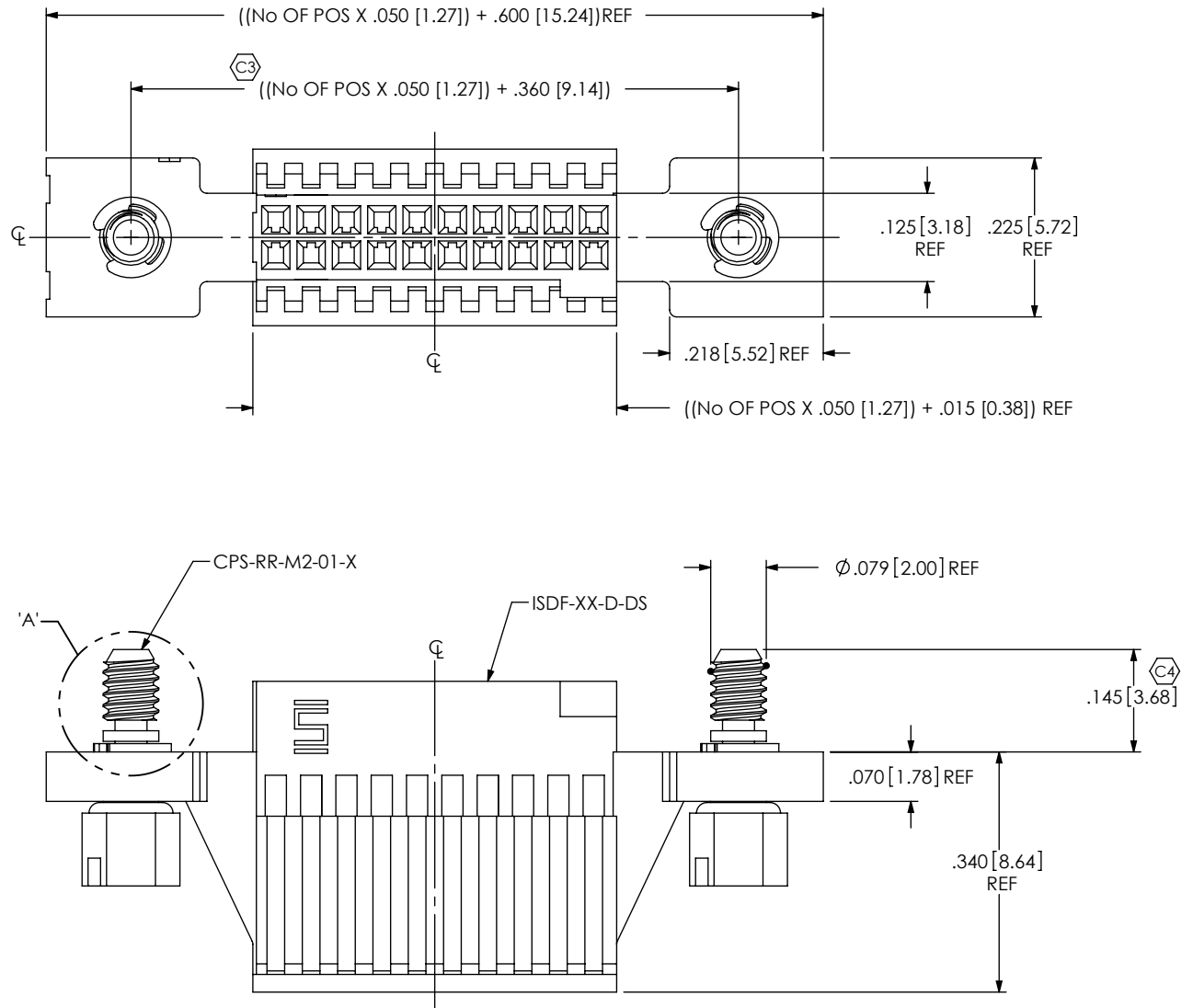
<p>UNLESS OTHERWISE SPECIFIED, DIMENSIONS ARE IN INCHES. TOLERANCES ARE:</p> <p>DECIMALS ANGLES</p> <p>.XX: $\pm .01$ [.3] 2°</p> <p>.XXX: $\pm .005$ [.13]</p> <p>.XXXX: $\pm .0020$ [.051]</p>	<p>PROPRIETARY NOTE</p> <p>THIS DOCUMENT CONTAINS INFORMATION CONFIDENTIAL AND PROPRIETARY TO SAMTEC, INC. AND SHALL NOT BE REPRODUCED OR TRANSFERRED TO OTHER DOCUMENTS OR DISCLOSED TO OTHERS OR USED FOR ANY PURPOSE OTHER THAN THAT WHICH IT WAS OBTAINED WITHOUT THE EXPRESSED WRITTEN CONSENT OF SAMTEC, INC.</p>	<p>520 PARK EAST BLVD. NEW ALBANY, IN 47150 PHONE: 812-944-6733 FAX: 812-948-5047 e-Mail: info@SAMTEC.com code 55322</p>	
		<p>MATERIAL: DO NOT SCALE DRAWING SHEET SCALE: 2:1</p> <p>INSULATOR: LCP, UL 94 V-0, COLOR: BLACK LATCH: NICKEL-PLATED PHOS BRONZE BUTTON: NYLON, COLOR: WHITE</p>	<p>DESCRIPTION: .050[1.27] DISCRETE WIRE INSULATOR & LATCH ASM</p> <p>DWG. NO. ISDF-XX-D-X</p>
<p>F:\DWG\MISC\MKTG\ISDF-XX-D-X-MKT.SLDDRW</p>		<p>BY: BRATCHER 11/16/2006</p>	<p>SHEET 1 OF 3</p>



PACKAGING VIEW
-S OPTION



TUBE: PT-1-24-08-15
PLUG: TP-03



PROPRIETARY NOTE
 THIS DOCUMENT CONTAINS INFORMATION
 CONFIDENTIAL AND PROPRIETARY TO
 SAMTEC, INC. AND SHALL NOT BE REPRODUCED
 OR TRANSFERRED TO OTHER DOCUMENTS OR
 DISCLOSED TO OTHERS OR USED FOR ANY
 PURPOSE OTHER THAN THAT WHICH IT WAS
 OBTAINED WITHOUT THE EXPRESSED WRITTEN
 CONSENT OF SAMTEC, INC.

DO NOT SCALE DRAWING
 SHEET SCALE: 4:1



520 PARK EAST BLVD, NEW ALBANY, IN 47150
 PHONE: 812-944-6733 FAX: 812-948-5047
 e-Mail info@SAMTEC.com code 55322

DESCRIPTION:
 .050 [1.27] DISCRETE WIRE INSULATOR & LATCH ASM

DWG. NO.
ISDF-XX-D-X

BY: BRATCHER 11/16/2006 SHEET 2 OF 3

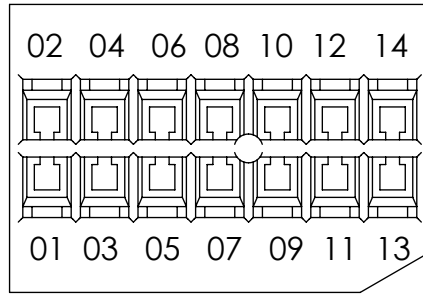


FIG 3
ISDF-07-D-C SHOWN
(DIFFERENT AS SHOWN, OTHERWISE SAME AS FIG 1)

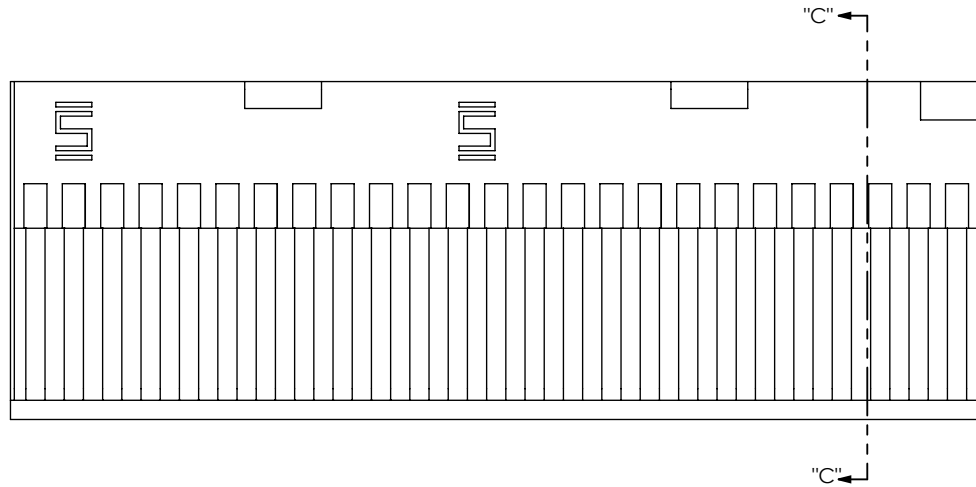
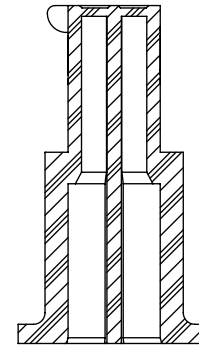


FIG 4
ISDF-25-D-L SHOWN
(DIFFERENT AS SHOWN, OTHERWISE SAME AS FIG 1)



SECTION "C"-"C"

PROPRIETARY NOTE
THIS DOCUMENT CONTAINS INFORMATION
CONFIDENTIAL AND PROPRIETARY TO
SAMTEC, INC. AND SHALL NOT BE REPRODUCED
OR TRANSFERRED TO OTHER DOCUMENTS OR
DISCLOSED TO OTHERS OR USED FOR ANY
PURPOSE OTHER THAN THAT WHICH IT WAS
OBTAINED WITHOUT THE EXPRESSED WRITTEN
CONSENT OF SAMTEC, INC.

DO NOT SCALE DRAWING

SHEET SCALE: 4:1

samtec

520 PARK EAST BLVD, NEW ALBANY, IN 47150
PHONE: 812-944-6733 FAX: 812-948-5047
e-Mail info@SAMTEC.com code 55322

DESCRIPTION:
.050[1.27] DISCRETE WIRE INSULATOR & LATCH ASM

DWG. NO.
ISDF-XX-D-X

BY: BRATCHER 11/16/2006 SHEET 3 OF 3