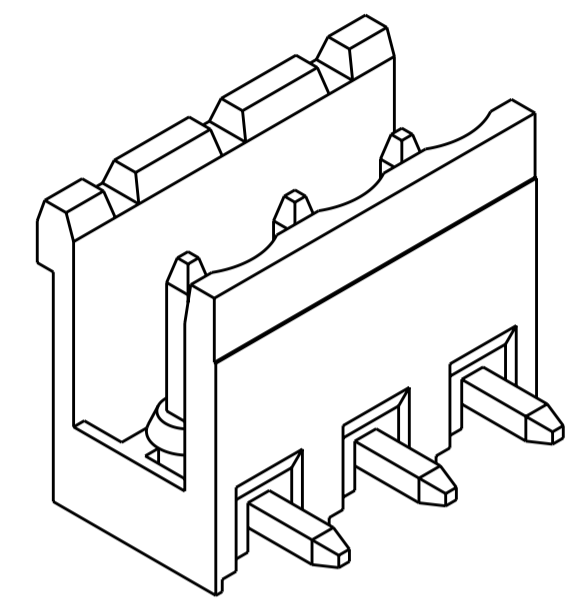
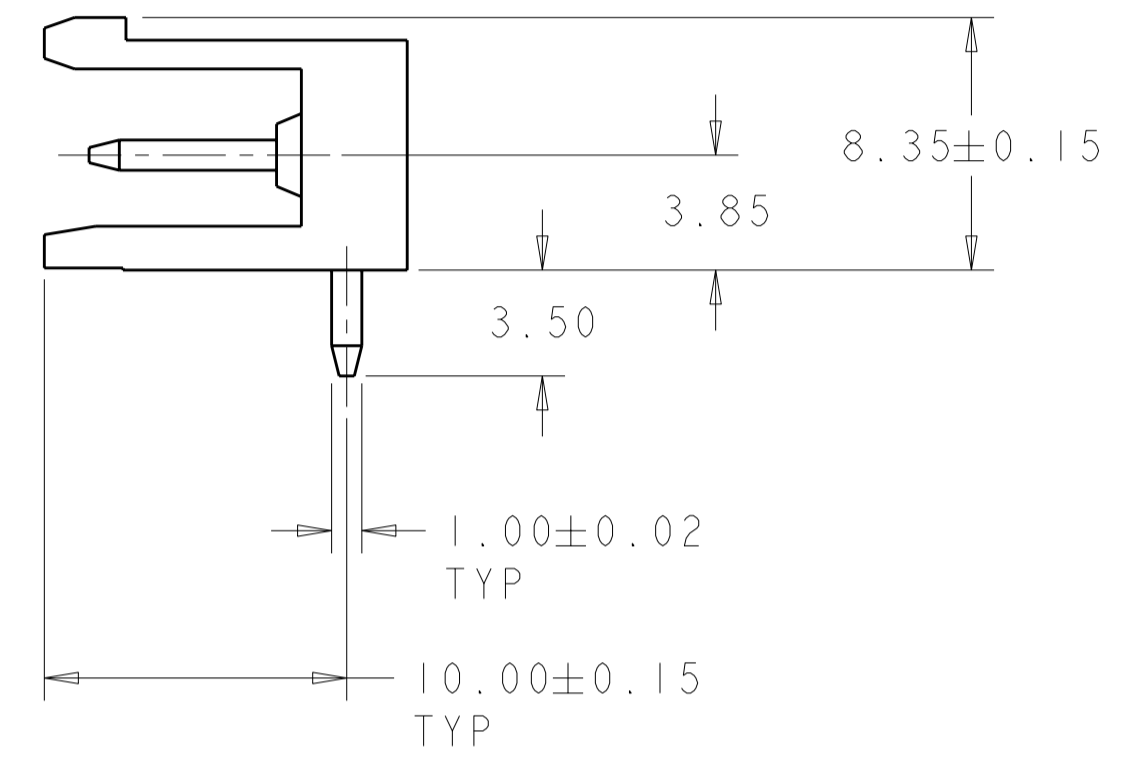
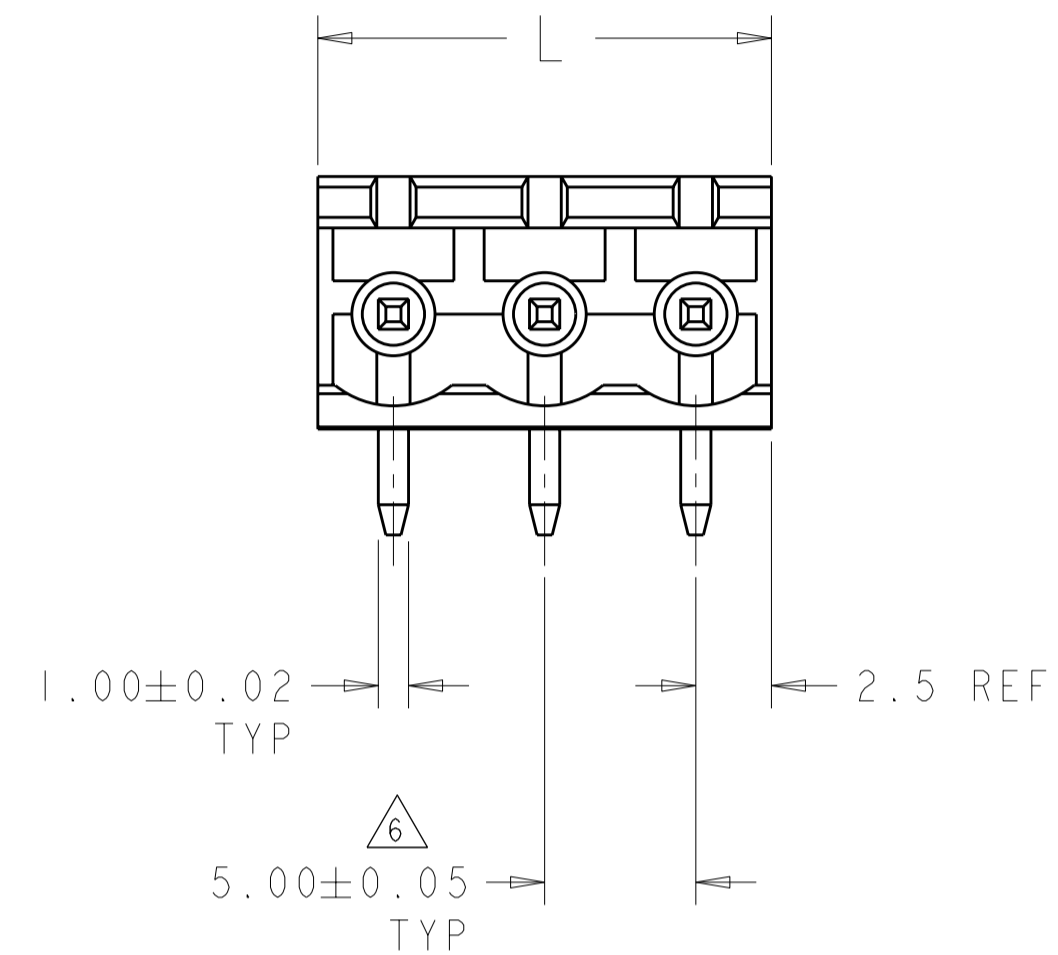
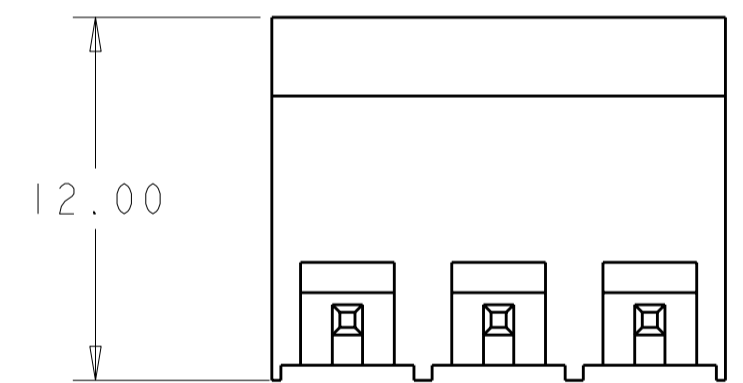


THIS DRAWING IS UNPUBLISHED. RELEASED FOR PUBLICATION 20
 © COPYRIGHT 20 Tyco Electronics AMP GmbH ALL RIGHTS RESERVED.

LOC	DIST	REVISIONS			
P	LTR	DESCRIPTION	DATE	DWN	APVD
FT	0	AI	REVISED PER ECO-12-007964	02MAY2012	KH MS

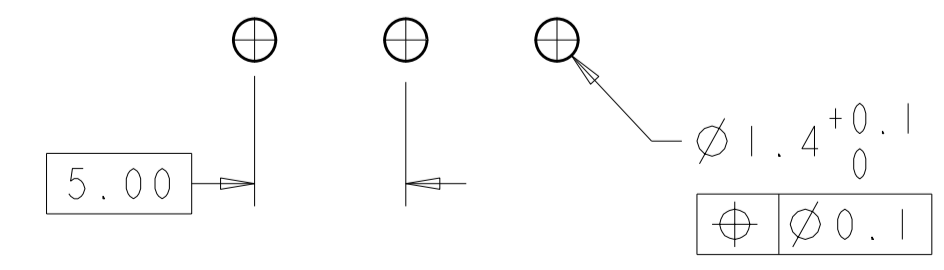


1546210-3 AS SHOWN



- 1. MATERIALS AND FINISH
 HOUSING: PA 6-6, UL 94-V0, COLOR: GRAY.
 TERMINAL: COPPER ALLOY, TIN PLATED.
- 2. SUITABLE FOR 1,6-2,4mm PC BOARD THICKNESS.
- 3. END-TO-END STACKABLE WITHOUT LOSS OF CENTERLINE SPACING.
- 4. RECOGNIZED UNDER THE COMPONENT PROGRAM OF UNDERWRITERS LABORATORIES INC. FILE N° E60677.
- 5. IMQ CERTIFICATE WITH SURVEILLANCE IN CONFORMITY WITH IEC 998-1/998-2-1.
- 6. NOT CUMULATIVE TOLERANCE.
- 7. BUCHANAN LOGO TO APPEAR ON HOUSING, LOCATION OPTIONAL WHERE SPACE PERMITS.
- 8. SELECTIVELY LOADED IN POSITIONS 1, 4, 5, 8 & 11.

125.0	25	2-1546210-5
120.0	24	2-1546210-4
115.0	23	2-1546210-3
110.0	22	2-1546210-2
105.0	21	2-1546210-1
100.0	20	2-1546210-0
95.0	19	1-1546210-9
90.0	18	1-1546210-8
85.0	17	1-1546210-7
80.0	16	1-1546210-6
75.0	15	1-1546210-5
70.0	14	1-1546210-4
65.0	13	1-1546210-3
60.0	12	1-1546210-2
55.0	11	1-1546210-1
50.0	10	1-1546210-0
45.0	9	1546210-9
40.0	8	1546210-8
35.0	7	1546210-7
30.0	6	1546210-6
25.0	5	1546210-5
20.0	4	1546210-4
15.0	3	1546210-3
10.0	2	1546210-2
L	NO OF POSN	PART NUMBER



RECOMMENDED PC BOARD LAYOUT

THIS DRAWING IS A CONTROLLED DOCUMENT.		DWN S.WELDON 14AUG2003	TE Connectivity	
DIMENSIONS: mm		CHK C.RICHARD 14AUG2003		
TOLERANCES UNLESS OTHERWISE SPECIFIED:		APVD C.RICHARD 14AUG2003	NAME: TERMINAL BLOCK HEADER ASSEMBLY 90 DEGREE, OPEN ENDS, STACKING 5.00mm PITCH	
0 PLC ±.2		PRODUCT SPEC 108-20166	SIZE: A2	
1 PLC ±.2		APPLICATION SPEC 114-20079	CAGE CODE: 00779	
2 PLC ±.25		WEIGHT: -	DRAWING NO: 1546210	
3 PLC ±.		RESTRICTED TO: -		
4 PLC ±.		SCALE: 3:1		
ANGLES ±2		SHEET 1 OF 1		
FINISH		REV: AI		