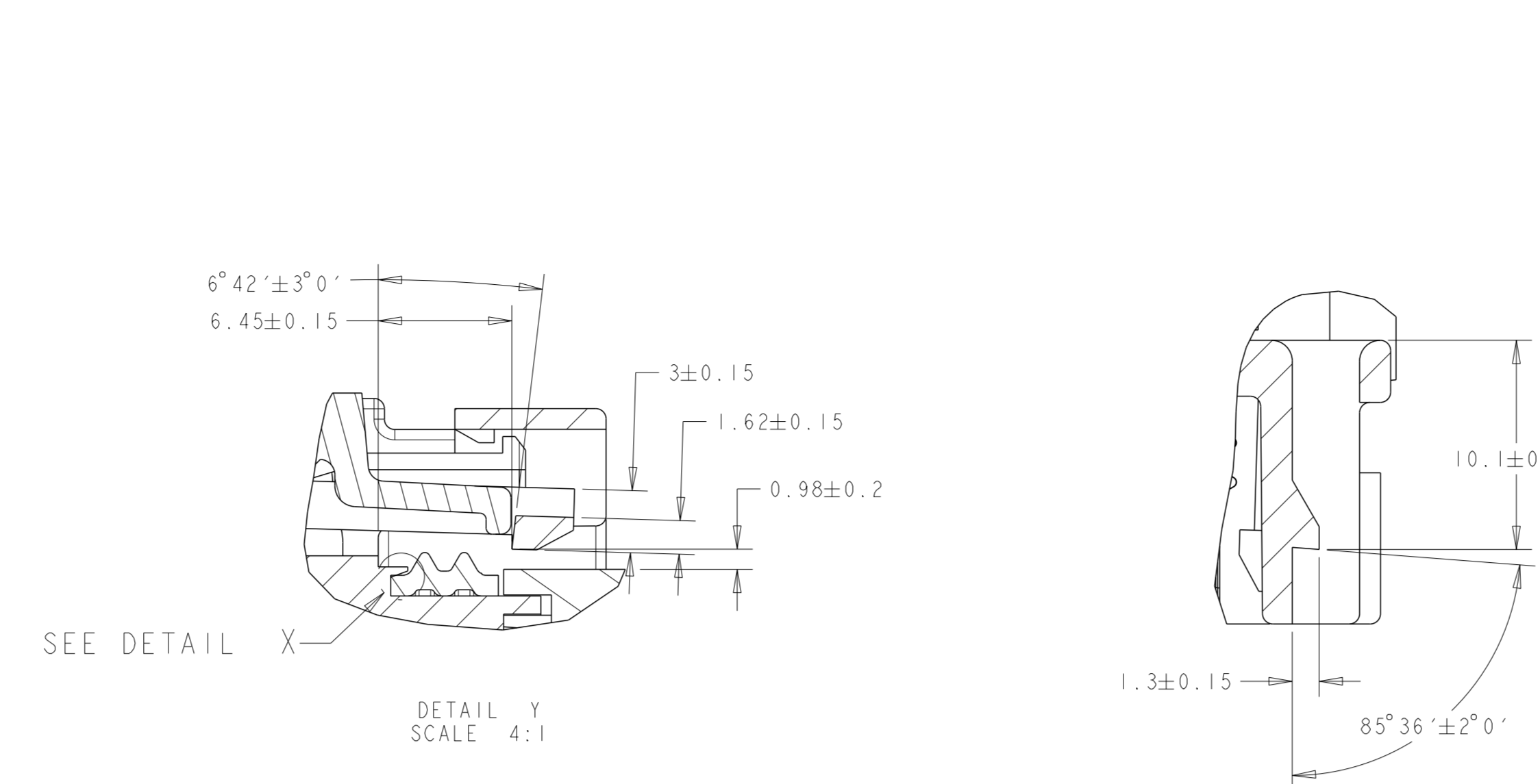
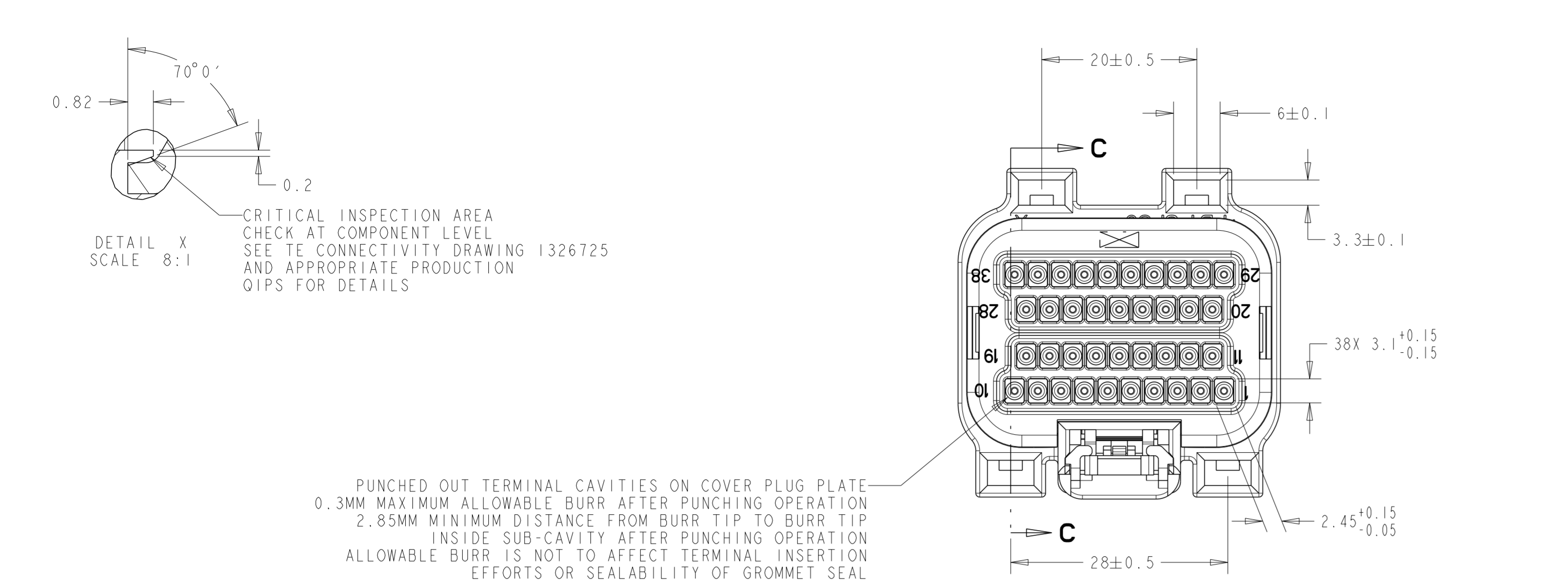
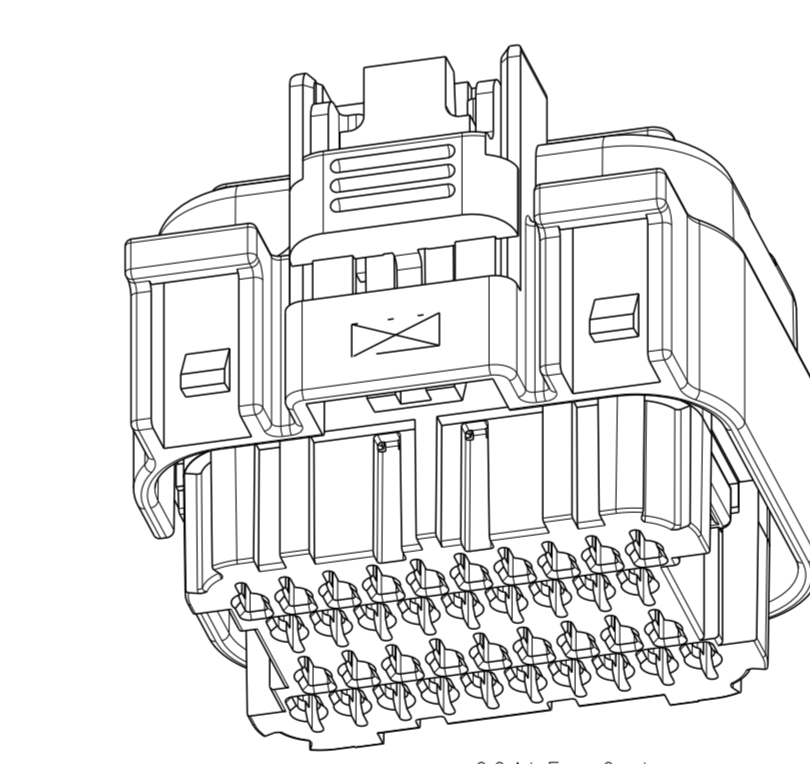
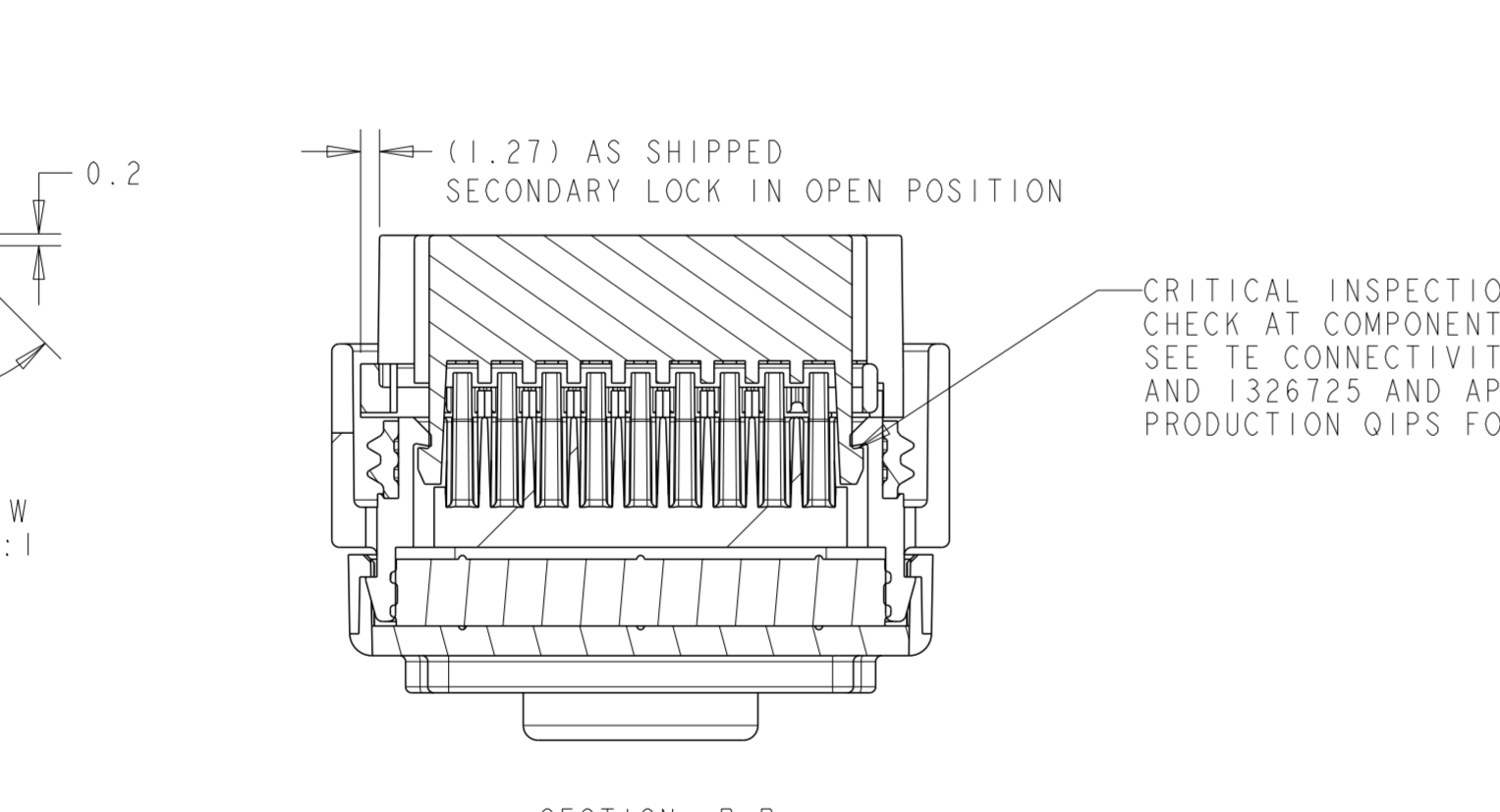
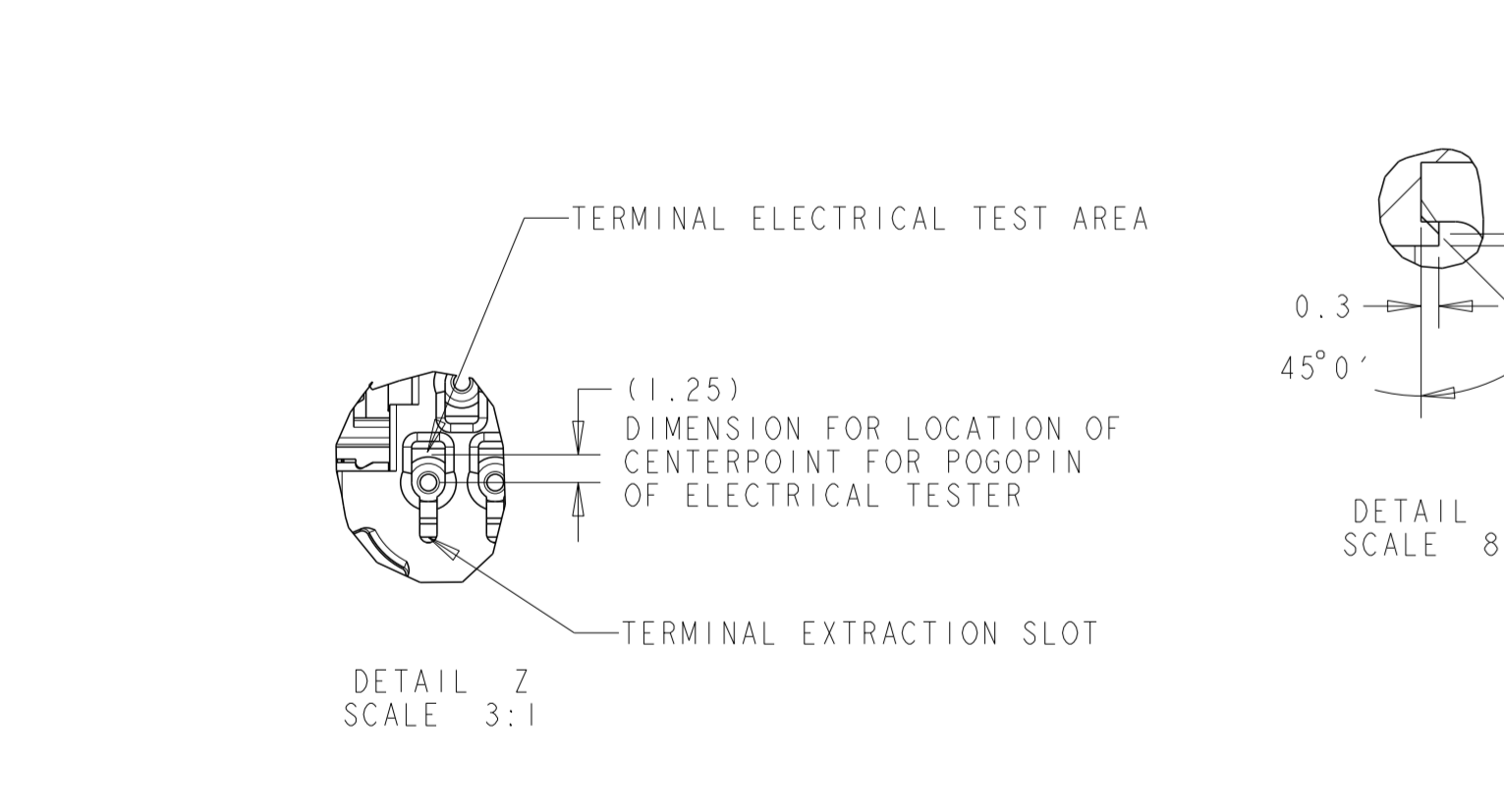
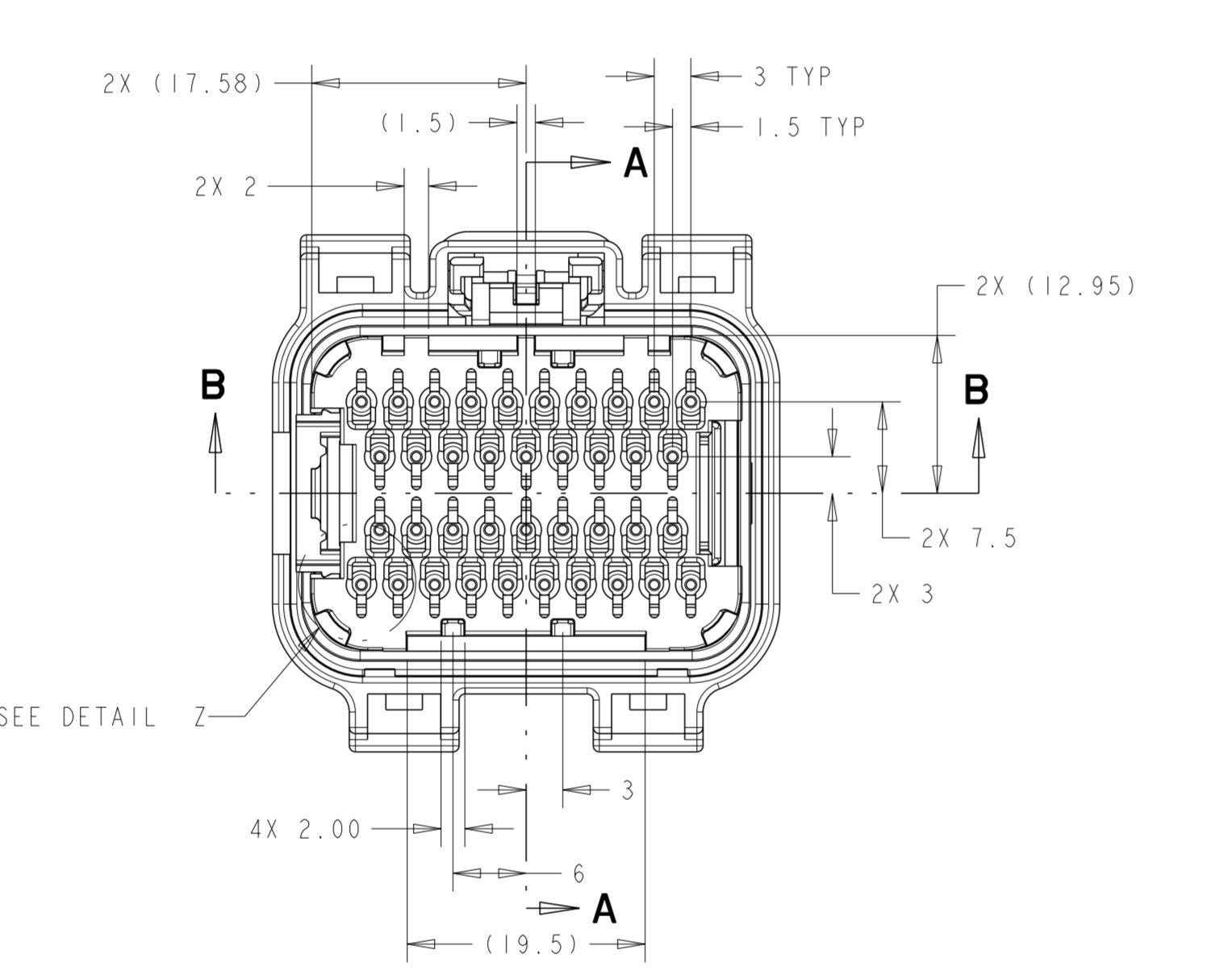
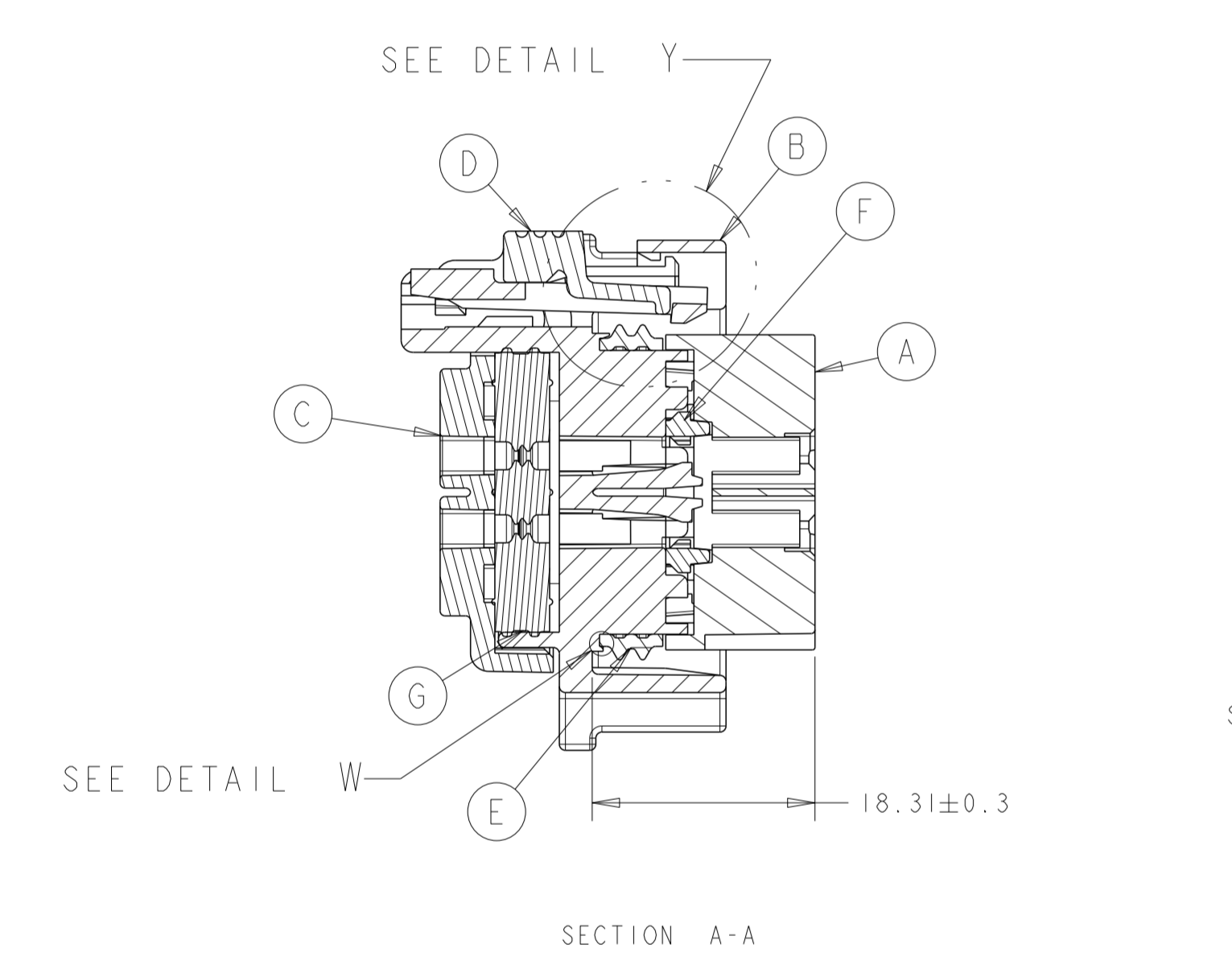
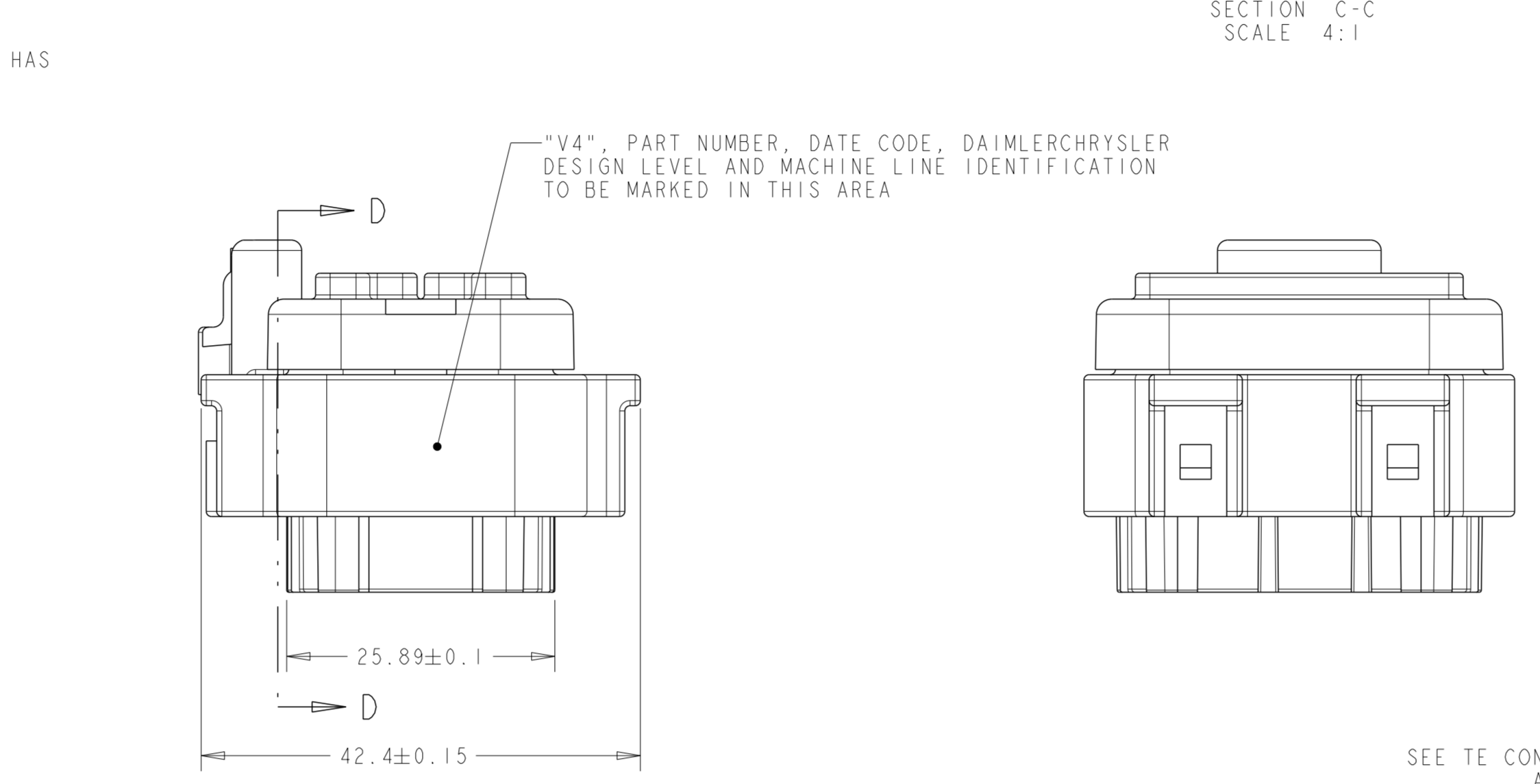
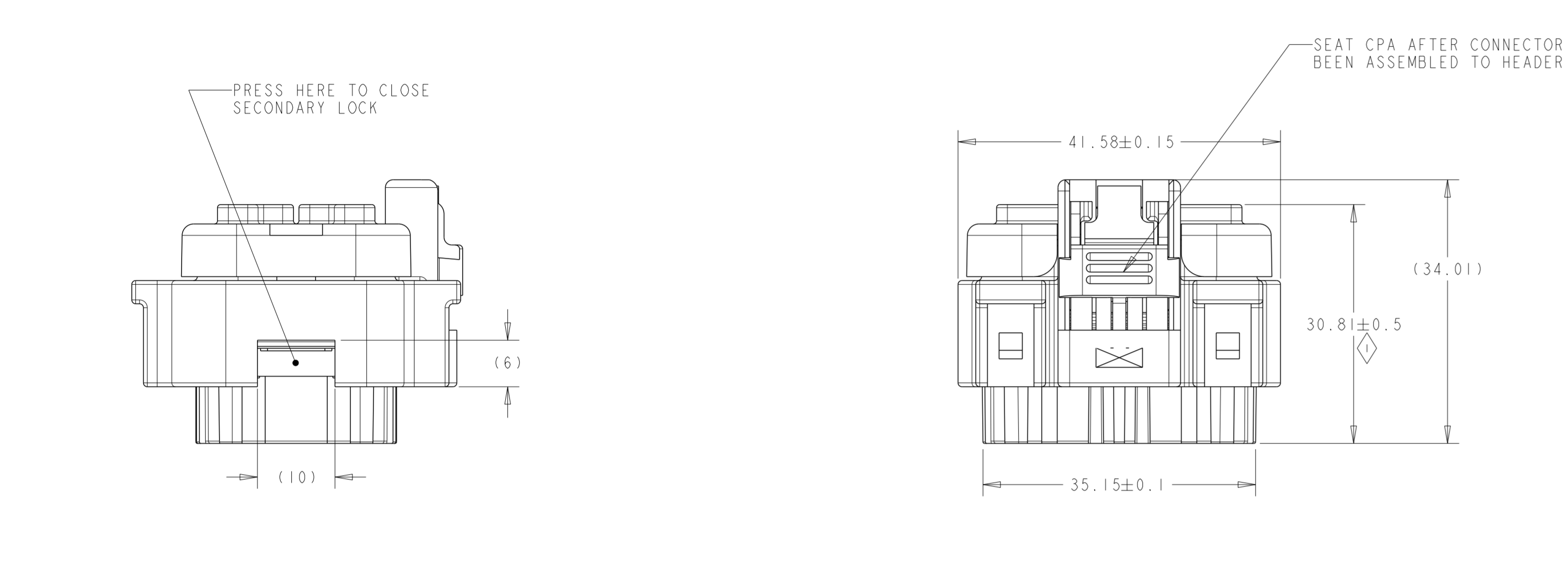
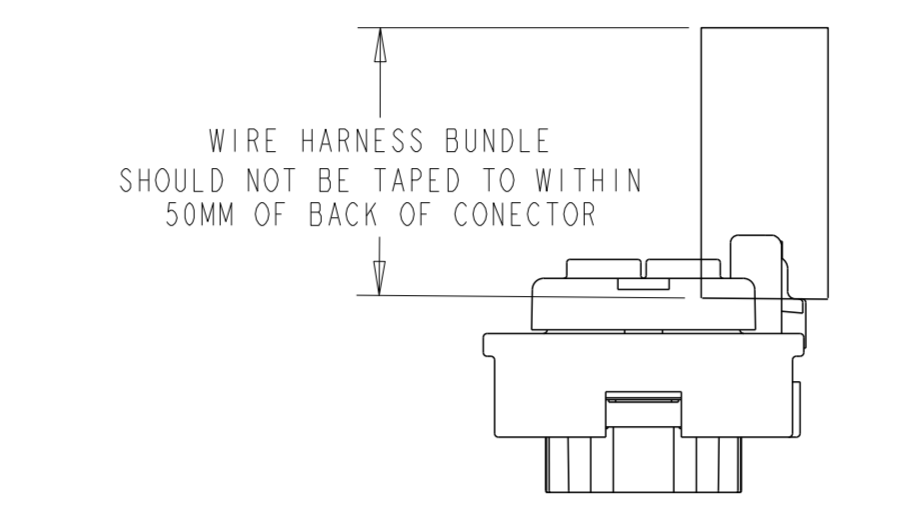


REVISIONS				
P	REV	DESCRIPTION	DATE	BY
R25		REVISED PER ECO-16-011034	28.AUG.2014	DD GR



WIRE HARNESS BUNDLE SHOULD ONLY BE SPOT TAPED TO THE WIRE DRESS COVER



INDICATES CHRYSLER LEVEL CHANGE

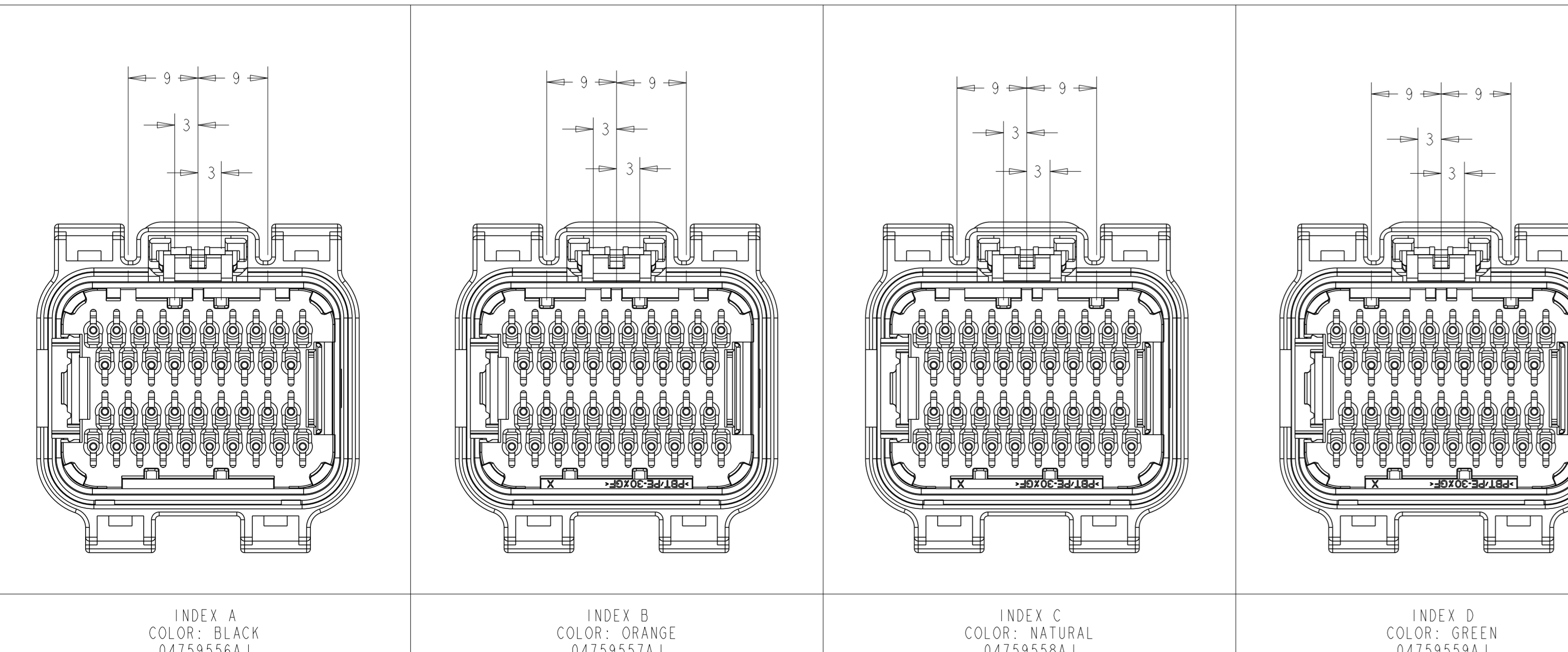
CHRYSLER DRAWING NUMBER	04759644AJ
CHRYSLER DRAWING REVISION LEVEL	A

PRINT CONTROLLED BY DAIMLERCHRYSLER
 CHANGES MUST BE SUBMITTED TO
 DAIMLERCHRYSLER ENGINEERING FOR APPROVAL
 FOR CONNECTOR PIN-OUT INFORMATION
 SEE TABLE

- GENERAL ENGINEERING NOTE(S):
- ALL DIMENSIONS TO SHARP CORNERS WITH A RADIUS ARE TAKEN FROM THEORETICAL SHARP CORNERS UNLESS EXPLICITLY SHOWN OTHERWISE.
 - TO BE USED WITH:
 TERMINAL P/N 04608783AA (GOLD PLATING) S/O 04608783AA
 WIRE DRESS COVERS CHRYSLER P/N 04759777AB, 04608776AB,
 04608779AA, 04608788AB, 04608809AA, 04759606AB AND
 TE CONNECTIVITY P/N 4-1437839-8, 4-1437839-9
 CAVITY PLUG: DAIMLERCHRYSLER P/N 04759943AB
 TE CONNECTIVITY P/N 1456341-1
 20-16 GAUGE THIN WALL X-LINK WIRE (MS-8288)
 - COVER/PLUG PLATE CAN BE PUNCHED OUT IN ANY CONFIGURATION FOR CURRENT COVER/PLUG PLATE CONFIGURATION SEE TE CONNECTIVITY DRAWING NUMBER 1326726. CHRYSLER P/N'S 04759556AJ, 04759557AJ, 04759558AJ, AND 04759559AJ HAVE ALL COVER/PLUG PLATE TERMINAL CAVITIES OPEN AND MUST BE USED WITH CAVITY PLUG P/N 04759943AB.
 - TERMINAL EXTRACTION TOOL P/N 8638
 SUPPLIER: SPX MILLER SPECIAL TOOLS
 28635 MOUND ROAD
 WARREN MI. 48092
 - SECONDARY LOCK TO BE IN OPEN POSITION PRIOR TO REMOVING TERMINALS.
 - WIRING FABRICATORS MUST PURCHASE FROM SOURCES SHOWN.
 - MATES TO HEADER P/N'S 05087006AB, 05087007AB, 05087008AA, AND 05087009AA.
 - PART MUST BE FREE OF FLASH AND BURRS.
 - FEATURES TO BE GAGED AT THE SUB-COMPONENT LEVEL:
 MAIN BODY - PRIMARY LOCKING FINGER
 - 15 LB MINIMUM FORCE REQUIRED TO OPEN SECONDARY LOCK.
 - TO PREVENT TERMINAL DAMAGE TO THE NGC CONNECTOR, VEHICLE LEVEL DIAGNOSTIC WORK MUST BE DONE USING PINOUT BOX P/N 8815. SUPPLIER SPX MILLER SPECIAL TOOLS.
 - THE WIRE HARNESS BUNDLE SHOULD NOT BE TAPED WITHIN 50 MM OF THE BACK OF THE CONNECTOR.
 - THE WIRE HARNESS BUNDLE SHOULD ONLY BE SPOT TAPED TO THE WIRE DRESS COVER SNOOT.
 - DAIMLERCHRYSLER DESIGN LEVEL IS "A". THE DESIGN LEVEL WILL INCREASE WITH ANY CHANGE TO THE PARTS FORM, FIT, OR FUNCTION.
 - ALL SPECIFIC PIN-OUT CONFIGURATIONS FOR ALL KEYING FEATURES SUPERSEDED BY ALL OPEN VERSION. REFER TO PIN-OUT CONFIGURATION TABLES AND USE CAVITY PLUGS TO CLOSE OUT SPECIFIC CIRCUIT CAVITIES.

CHRYSLER CONNECTIVITY ASS'Y NUMBER	CHRYSLER ASS'Y NUMBER	CHRYSLER ASSEMBLY NUMBER
9-1326726-8	04759556AJ	A
9-1326727-8	04759557AJ	A
9-1326728-8	04759558AJ	A
9-1326729-8	04759559AJ	A

MATERIAL	DESCRIPTION	COLOR	COMPONENTS NEEDED	ITEM NO
30% GLASS FILLED PBT	INSULATOR SHELL INDEX A	BLACK	X	A
30% GLASS FILLED PBT	INSULATOR SHELL INDEX B	ORANGE	X	A
30% GLASS FILLED PBT	INSULATOR SHELL INDEX C	NATURAL	X	A
30% GLASS FILLED PBT	INSULATOR SHELL INDEX D	GREEN	X	A
30% GLASS FILLED PBT	MAIN BODY	BLACK	X	B
30% GLASS FILLED PBT	COVER / PLUG PLATE	BLACK	X	C
30% GLASS FILLED NYLON	CPA	RED	X	D
SELF LUBRICATING SILICONE	INTERFACIAL SEAL	LT BLUE	X	E
30% GLASS FILLED SPS	SECONDARY LOCK	RED	X	F
SELF LUBRICATING SILICONE	GROMMET SEAL	LT BLUE	X	G



RELEASE PLATFORM	NUMBER DESIGNATES MOLDED IN PLUG POSITION	INDEX COLOR	INDEX	TE CONNECTIVITY NUMBER
VIPER	6 7 8 9 10	NATURAL	C	1-1924119-7
VIPER	9	BLACK	A	1924119-4
VIPER	6 7 8 9 10	GREEN	D	3-1326729-3
ZB-VIPER	25 26	ORANGE	B	3-1326727-3
		GREEN	D	9-1326729-8
		NATURAL	C	9-1326728-8
		ORANGE	B	9-1326727-8
		BLACK	A	9-1326726-8

THIS DRAWING IS A CONTROLLED DOCUMENT.
 DIMENSIONS AND TOLERANCES PER ASME Y14.5M-2009

DATE: 08/20/14
 DIMENSIONS: 0 PLG #0.3, 1 PLG #0.3, 2 PLG #0.30, 3 PLG #0.300, 4 PLG #0.3000

FINISH: -

WEIGHT: -

CUSTOMER DRAWING

SCALE: 2:1

SHEET 1 OF 3

REV: K25

STE TE Connectivity
 CHART ASSEMBLY
 38-WAY FEMALE, NGC HEADER
 CONNECTION

SIZE: CASE CODE DRAWING NO: A000779
 DRAWING NO: 1326726

Main table with columns: PLATFORM, NUMBER DESIGNATES MOLDED IN PLUG POSITION, INDEX COLOR, INDEX, TE CONNECTIVITY NUMBER. Rows include various models like 2007 KJ, 2008 RT, 2009 DS, etc., with their respective color and index values.

Technical drawing footer containing: THIS DRAWING IS A CONTROLLED DOCUMENT, DIMENSIONS, MATERIAL, WEIGHT, SCALE, and ST logo with 'TE Connectivity' and '38-WAY FEMALE, NCG HEADER CONNECTION'.

