

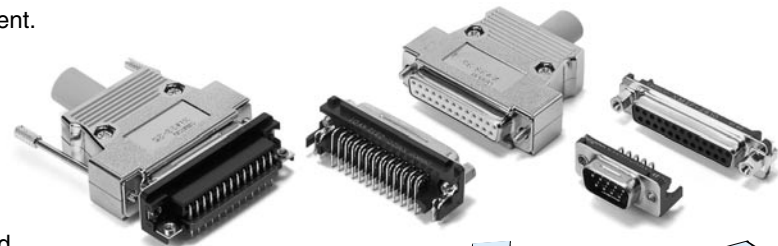
# XM2/XM3

## D-sub Connectors

### D-sub Connectors Ideal for Interfacing with OA Equipment

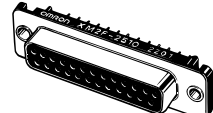

OA:Office Automation

- D-sub Connectors Ideal for Interfacing with OA Equipment.
- Shielded connectors that prevent EMI.
- Noise can be suppressed effectively by using the XM2S Plastic Hood with metallic finish.
- XM3B-F multi-hole ferrite-core models are also available. Use these models to suppress high-frequency noise and save PCB mounting space.
- Compact and tough structure with a metal shell provided.
- A wide variety of mounting brackets and grounding metals are available.

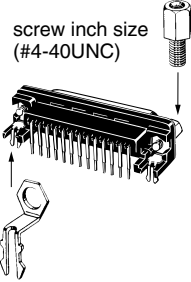
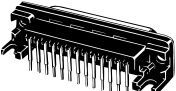


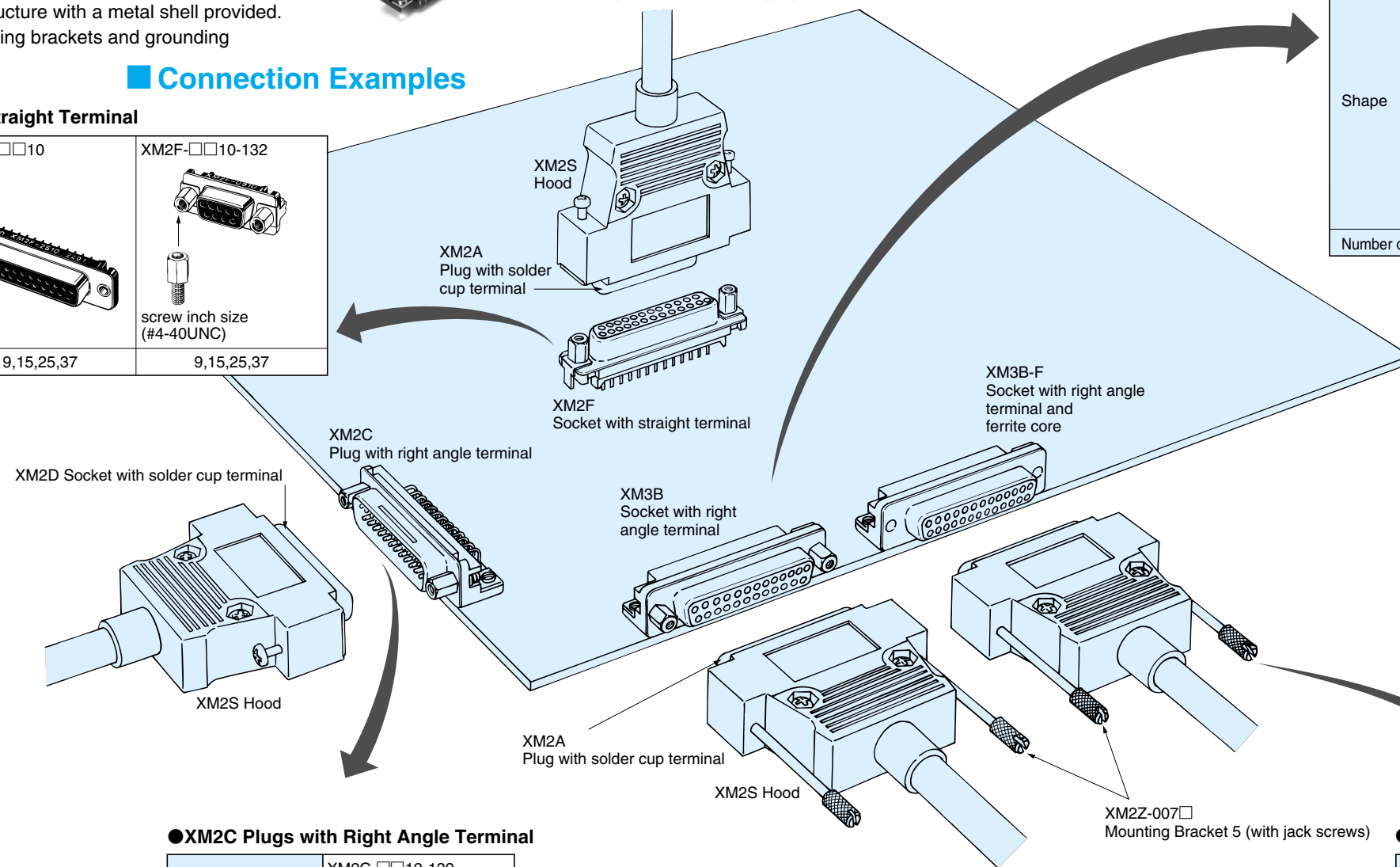
#### Connection Examples

##### ●XM2F Sockets with Straight Terminal

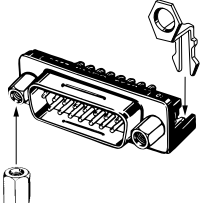
Shape		
Number of contacts	9,15,25,37	9,15,25,37

##### ●XM3B Sockets with Right Angle Terminal

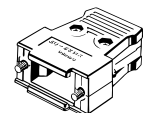
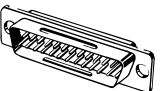
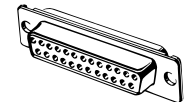
Shape		
Number of contacts	9,15,25,37	9,15,25,37



##### ●XM2C Plugs with Right Angle Terminal

Shape	
Number of contacts	9,15,25,37

##### ●Hood/Solder Cup Terminal

Shape			
Number of contacts	9,15,25,37	9,15,25,37	9,15,25,37