

THIS DRAWING IS UNPUBLISHED.

RELEASED FOR PUBLICATION

ALL RIGHTS RESERVED.

© COPYRIGHT - By -

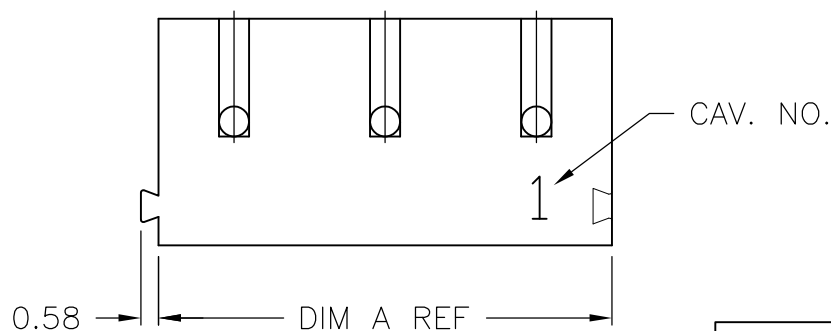
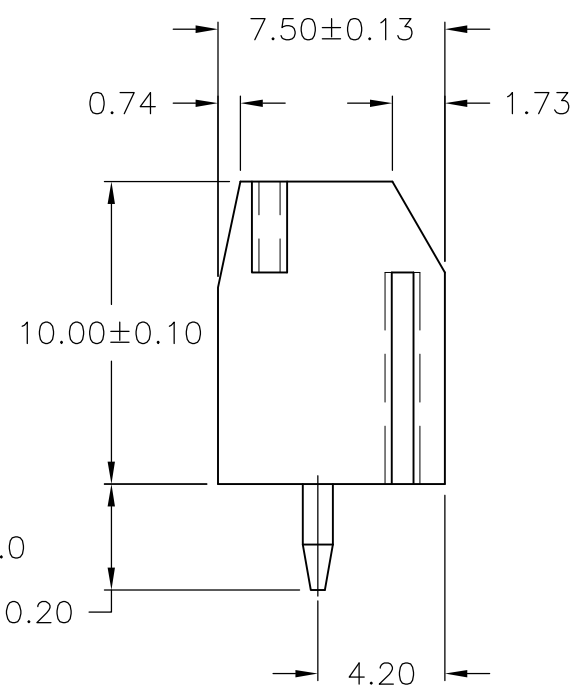
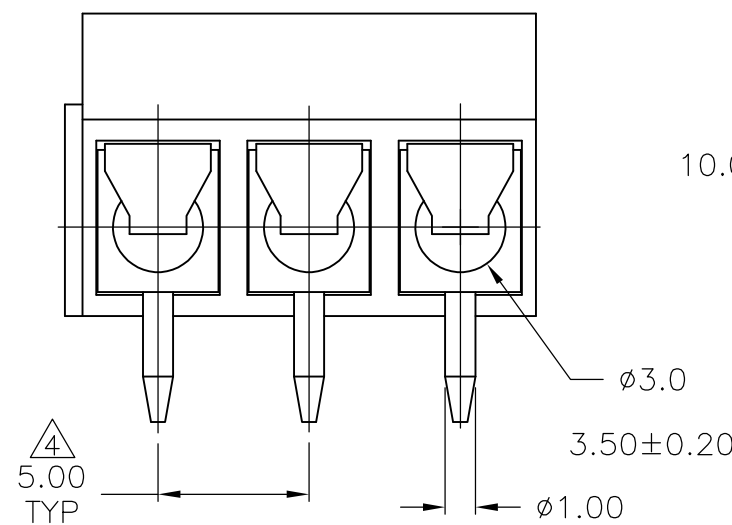
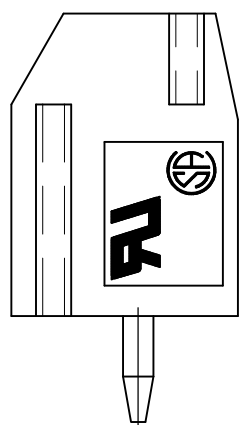
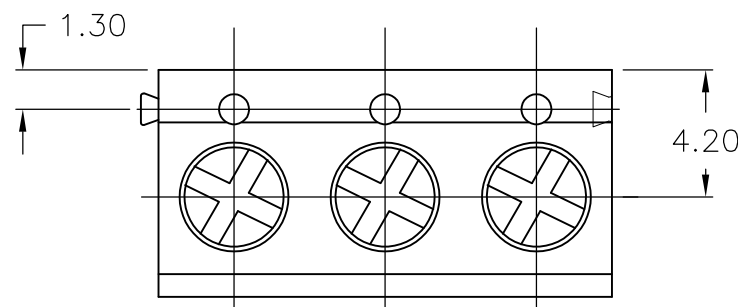
LOC FT DIST 0

REVISIONS

P	LTR	DESCRIPTION	DATE	DWN	APVD
	P	REVISED PER ECO-11-004820	11MAR11	RK	HMR

1. ALL DIMENSIONS ARE IN MM.
2. RECOMMENDED PC-BOARD-HOLES DIAMETER:  $\phi 1.20\text{MM}$  TO  $\phi 1.40\text{MM}$ .
3. BUCHANAN LOGO TO APPEAR ON HOUSING LOCATION OPTIONAL WHERE SPACE PERMITS.

⚠ NON CUMULATIVE.



CAV. NO. 1776244-3 AS SHOWN

DIM. A	NO. OF POS.	PART NUMBER
120.00	24	2-1776244-4
115.00	23	2-1776244-3
110.00	22	2-1776244-2
105.00	21	2-1776244-1
100.00	20	2-1776244-0
95.00	19	1-1776244-9
90.00	18	1-1776244-8
85.00	17	1-1776244-7
80.00	16	1-1776244-6
75.00	15	1-1776244-5
70.00	14	1-1776244-4
65.00	13	1-1776244-3
60.00	12	1-1776244-2
55.00	11	1-1776244-1
50.00	10	1-1776244-0
45.00	9	1776244-9
40.00	8	1776244-8
35.00	7	1776244-7
30.00	6	1776244-6
25.00	5	1776244-5
20.00	4	1776244-4
15.00	3	1776244-3
10.00	2	1776244-2

THIS DRAWING IS A CONTROLLED DOCUMENT.		DWN S SCHLEGEL 5/6/05	<b>STE</b> TE Connectivity	
DIMENSIONS: mm		CHK C RICHARD 5/6/05		
TOLERANCES UNLESS OTHERWISE SPECIFIED:		APVD C RICHARD 5/6/05	NAME	
0 PLC ± -	1 PLC ± 0.3	PRODUCT SPEC	TERMINAL BLOCK PCB MOUNT, STRAIGHT SIDE WIRE ENTRY, LOW PROFILE w/3.5mm PINS W/ INTERLOCK 5.00mm PITCH, HIGH TEMP	
2 PLC ± 0.25	3 PLC ± -	APPLICATION SPEC	SIZE	CAGE CODE
4 PLC ± -	ANGLES ± -	WEIGHT	A3	00779
MATERIAL -	FINISH -	CUSTOMER DRAWING	DRAWING NO	RESTRICTED TO
		SCALE NTS	SHEET 1 OF 2	REV P

THIS DRAWING IS UNPUBLISHED.

RELEASED FOR PUBLICATION

- . - .

ALL RIGHTS RESERVED.

© COPYRIGHT - By -

LOC

DIST

REVISIONS

FT

0

P

LTR

DESCRIPTION

DATE

DWN

APVD

- SEE SHEET 1

## 1. Application and Features:

- 1-1. Standard sizes are 2 and 3 way-blocks, but every number of contact can be combined, by simply plugging them together and can be ordered as required\*\*
- 1-2. With wire guard for wire protection (for that the screw doesn't press directly on the wire)

## 2. Technical Data:

## 2-1. Material:

- 2-1-1. HOUSING: NYLON 6.6, UL 94 V-0, (Blue).
- 2-1-2. Metal Housing: Brass(Cu Zn)  
Cu,Tin plated.
- 2-1-3. Wire guard: Stainless steel.
- 2-1-4. Screw: Steel galvanized and chromitized, M2.6

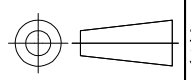
## 2-2. Electrical:

- 2-2-1. Current rating: 10 Amps/way max.
- 2-2-2. Contact resistance: 20mΩ (Max).
- 2-2-3. Insulation resistance: 5000MΩ /1000V.
- 2-2-4. Withstanding Voltage: 1500VAC (1min).
- 2-2-5. Operation Voltage: 300 VAC.
- 2-2-6. Wire Range: 14-22 AWG.

## 2-3. Mechanical:

- 2-3-1. Torque: 4 Kg.cm (Max).
- 2-3-2. Operating temperature: -55°C to +105°C.
- 2-3-3. Solderability: 95% coverage (min).

THIS DRAWING IS A CONTROLLED DOCUMENT.		DWN	S	SCHLEGEL	5/6/05	<b>STE</b> TE Connectivity					
		CHK	C	RICHARD	5/6/05						
		APVD	C	RICHARD	5/6/05	NAME					
		PRODUCT SPEC				TERMINAL BLOCK PCB MOUNT, STRAIGHT SIDE WIRE ENTRY, LOW PROFILE w/3.5mm PINS W/ INTERLOCK 5.00mm PITCH, HIGH TEMP					
		APPLICATION SPEC				RESTRICTED TO					
		SIZE	A3	CAGE CODE	00779	DRAWING NO	G-1776244				
		CUSTOMER DRAWING				SCALE	NTS	SHEET	2 OF 2	REV	P

DIMENSIONS: mm		TOLERANCES UNLESS OTHERWISE SPECIFIED:	
		0 PLC	± -
		1 PLC	± 0.3
		2 PLC	± 0.25
		3 PLC	± -
		4 PLC	± -
MATERIAL		FINISH	
-		-	