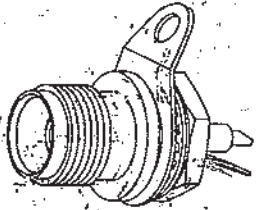
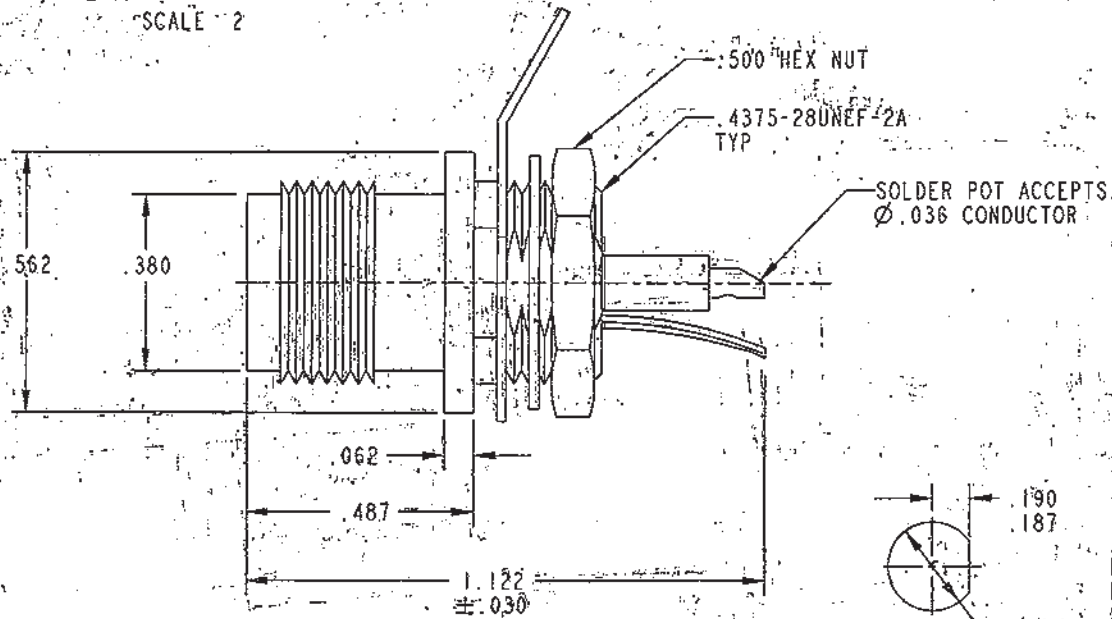


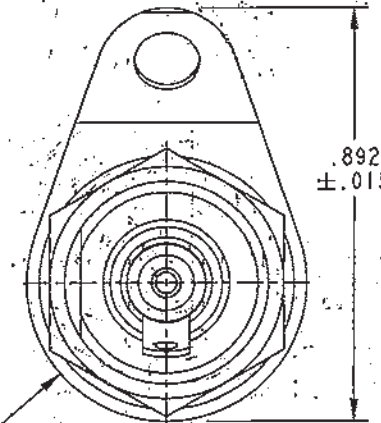
RED INDICATES ORIGINAL



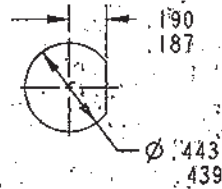
SCALE 2



REVISIONS			305-0013	SH 1	
REV	ECO NO.	DESCRIPTION	DWN	APPROVED	DATE
L	11328	REDRAWN IN PRO/E WITH CHANGE: SH 2 "D" FLAT PIN DEPTH WAS .200 B/W P/N 8-2149-3 WAS 8-2149-2	SAC	<i>FO</i>	12/21/95



INCH	MM
.005	0.13
.015	0.38
.030	0.76
.036	0.91
.062	1.57
.125	3.18
.187	4.75
.190	4.83
.386	9.65
.439	11.15
.443	11.25
.487	12.37
.500	12.70
.562	14.27
.600	15.24
.892	22.66
1.122	28.50



RECOMMENDED PANEL CUTOUT SCALE 2/1

4. MAX PANEL THK .125
3. SOCKET CONTACT CONCENTRIC TWINAX/TRIAX TRT SOLDER POT BULKHEAD MOUNT RECEPTACLE
2. FINISH: TFS-1A (NICKEL)
1. ALL DIM ARE IN INCHES

QTY	DESCRIPTION	PART NUMBER	ITEM			
TOL UNLESS SPECIFIED		BJ377				
.XX ± .005						
.XXX ± .005						
.XXXX ± .005						
22-04 DWG	SAG	12-6-95	MATERIAL	CODE IDENT	DRAWING NO.	REV
105-1048	CHK	<i>DM</i> 12-14-95	—	14949	305-0013	L
305-0398	ENGR					
NEXT ASSY	APPR	<i>FO</i> 12/21/95	SCALE 4/1	DATE	11-12-68	SHEET 1C