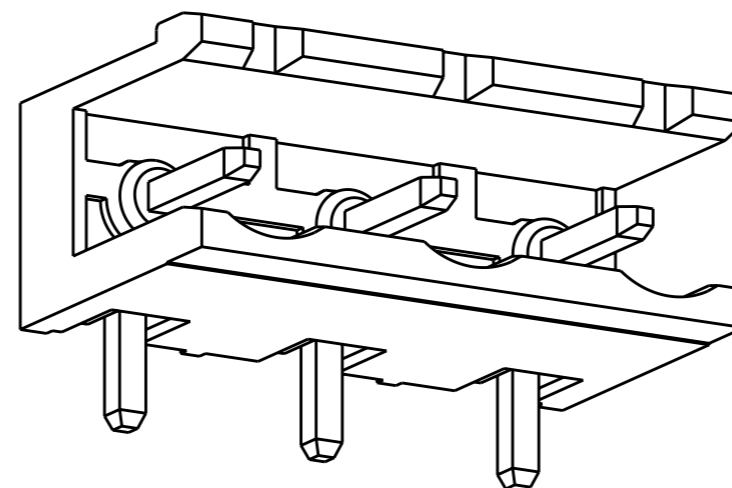
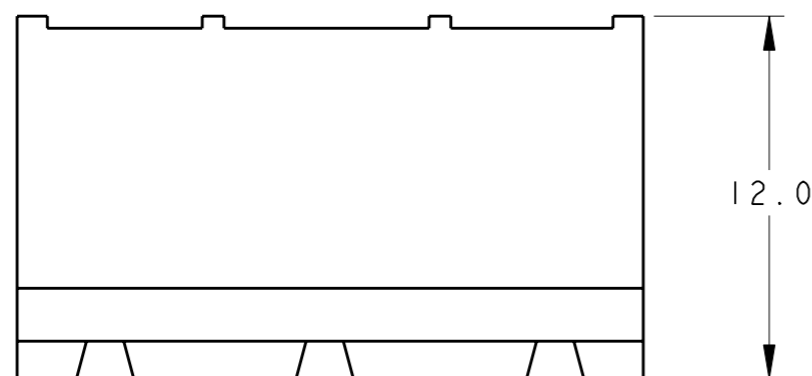


LOC FT DIST 0

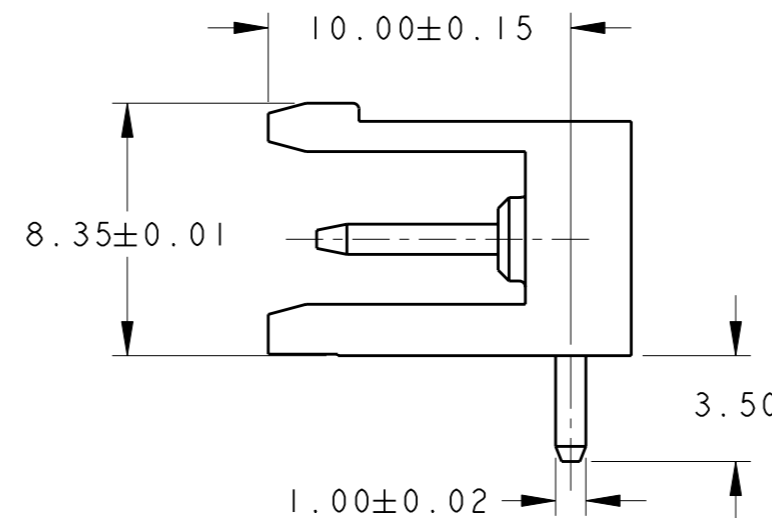
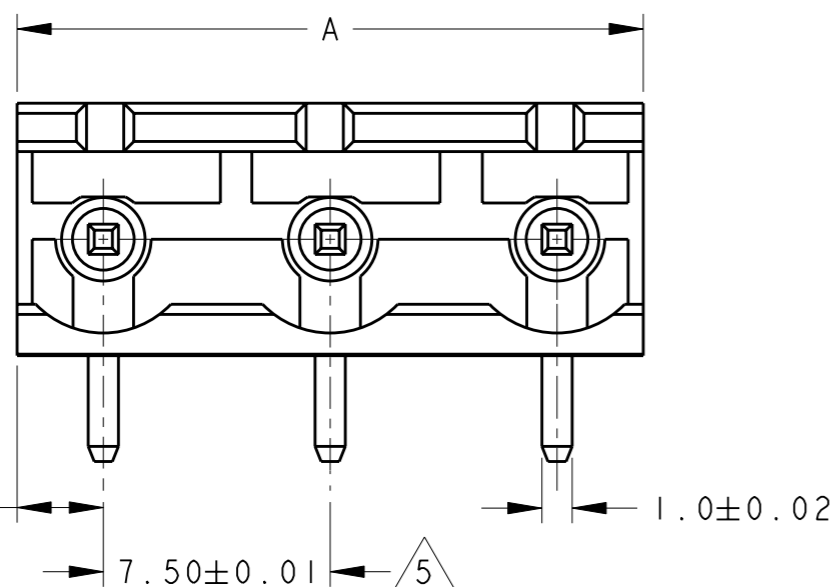
REVISIONS

P	LTR	DESCRIPTION	DATE	DWN	APVD
	C1	REVISED PER ECO-12-007964	02MAY2012	KH	MS



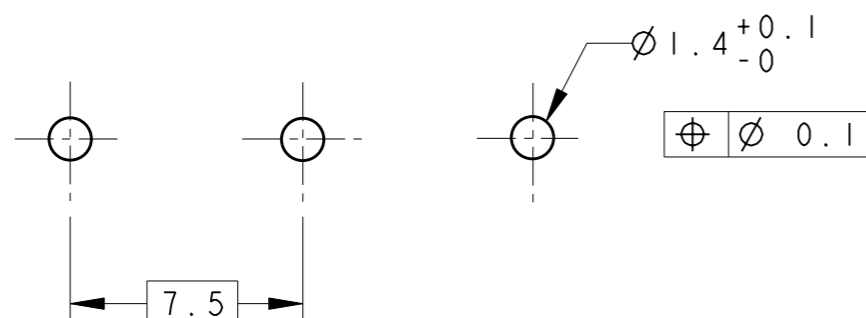
282961-3 AS SHOWN

- 1 MATERIALS AND FINISH
HOUSING: PA 6-6, UL 94-V0, COLOR GREEN.
TERMINAL: COPPER ALLOY, TIN PLATED.
- 2 SUITABLE FOR 1,6-2,4mm PC BOARD THICKNESS.
- 3 RECOGNIZED UNDER THE COMPONENT PROGRAM OF UNDERWRITERS LABORATORIES INC. FILE N° E60677.
- 4 IMQ CERTIFICATE WITH SURVEILLANCE IN CONFORMITY WITH IEC 998-1/998-2-1.
- 5 NOT CUMULATIVE TOLERANCE.



88.20	12	1-282961-2
80.70	11	1-282961-1
73.20	10	1-282961-0
65.70	9	282961-9
58.20	8	282961-8
50.70	7	282961-7
43.20	6	282961-6
35.70	5	282961-5
28.20	4	282961-4
20.70	3	282961-3
13.20	2	282961-2
DIM. A	N° OF POS.	PART NUMBER

RECOMMENDED PC BOARD LAYOUT



THIS DRAWING IS A CONTROLLED DOCUMENT.

DWN E. ZANOLINI 15NOV2001
 CHK D. BIEVENOUR 15NOV2001
 APVD D. BIEVENOUR 15NOV2001



DIMENSIONS: mm
 TOLERANCES UNLESS OTHERWISE SPECIFIED:
 0 PLC ±.3
 1 PLC ±.3
 2 PLC ±.25
 3 PLC ±.
 4 PLC ±.
 ANGLES ±2

PRODUCT SPEC 108-20166
 APPLICATION SPEC 114-20079
 WEIGHT -

NAME: TERMINAL BLOCK HEADER ASSEMBLY, 90 DEGREE OPEN ENDS, 7.5mm PITCH

SIZE A3 CAGE CODE 00779 DRAWING NO C-282961 RESTRICTED TO -

MATERIAL FINISH

CUSTOMER DRAWING SCALE 4:1 SHEET 1 OF 1 REV C1