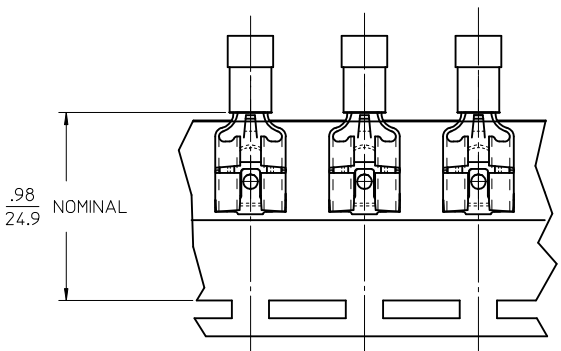
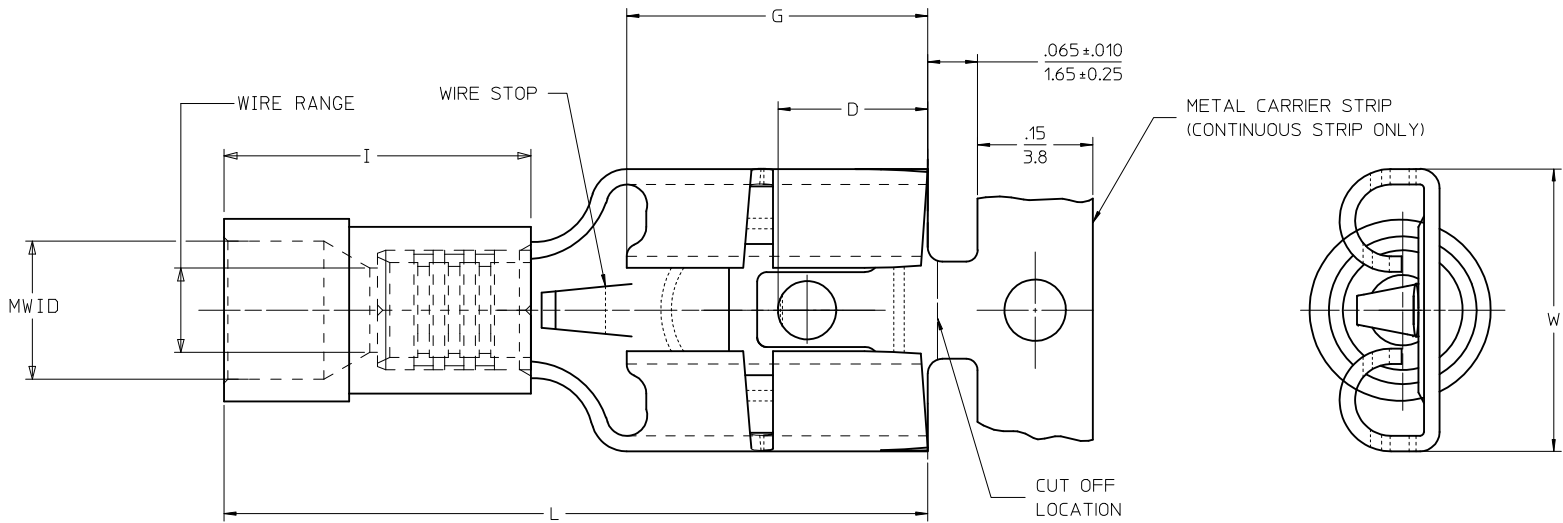


| | | | | | | | | | | | | | | | | |
|-----------------|--------------------|-----------------|--------------------|-----------------|--------------------|------------|----------------|-----------------|-----------------------|-----------------|------------|------------|-------------|-------------|-----------|-----------|
| 13 | 12 | 11 | 10 | 9 | 8 | 7 | 6 | 5 | 4 | 3 | 2 | 1 | | | | |
| LOOSE PIECE | | | TAPE MOUNTED | | CONTINUOUS STRIP | | SPECIFICATIONS | | | | | | | | | |
| MATERIAL NUMBER | ENGINEERING NUMBER | MATERIAL NUMBER | ENGINEERING NUMBER | MATERIAL NUMBER | ENGINEERING NUMBER | INS. COLOR | WIRE RANGE AWG | MM ² | FITS MALE TAB SIZE | STOCK THICKNESS | "L" MAX. | "I" MAX. | "W" MAX. | "D" ±.01 | "G" NOM. | MWID |
| 192740002 | AA-2140-LIF | 192740003 | AA-2140T-LIF | 192740001 | AAZ-2140-LIF | RED | 22-18/ | 0.25-1.5 | .250x.032 / 6.35x0.81 | .016 / 0.41 | .87 / 22.0 | .42 / 10.7 | .307 / 7.80 | .156 / 3.96 | .31 / 7.9 | .13 / 3.3 |
| 192740005 | BB-2141-LIF | 192740006 | BB-2141T-LIF | 192740004 | BBZ-2141-LIF | BLUE | 16-14/ | 1.0-2.5 | .250x.032 / 6.35x0.81 | .016 / 0.41 | .87 / 22.0 | .42 / 10.7 | .307 / 7.80 | .156 / 3.96 | .31 / 7.9 | .14 / 3.5 |



PARTS ON TAPE

NOTES:

- MATERIALS:
 TERMINAL: MATTE-TIN PLATED BRASS
 INSULATION: PVC 94V-0,
 SEE CHART FOR COLORS
- PRODUCT SPECIFICATION: PS-19902-012
- MWID = MAXIMUM WIRE INSULATION DIAMETER
- PARTS ARE ROHS COMPLIANT

| | | | | | | | |
|--|--------------------------------------|--|------------------------|---|---|------------------------------|------------------------|
| FERRULE DESCR. CONT P/N EC NO: MNA2009-0761 DRW: ETHRODAHL 2010/03/18 CHKD: JMACNEIL 2010/03/18 APPR: JMACNEIL 2011/01/06 | QUALITY SYMBOLS ▽=0 ▽=0 | GENERAL TOLERANCES (UNLESS SPECIFIED) | | DIMENSION STYLE IN/MM | SCALE 1:1 | DESIGN UNITS INCH | THIRD ANGLE PROJECTION |
| | | 4 PLACES ± --- ± --- | mm INCH | DRAWN BY DATE ETHRODAHL 2010/03/18 | TITLE QUIXON LOW INSERT FORCE PARTIAL INSUL QUICK DISC INSULKRIMP 22-14 AWG | | |
| | | 3 PLACES ± --- ± .005 | 2 PLACES ± 0.13 ± .010 | CHECKED BY DATE JMACNEIL 2010/03/18 | MOLEX INCORPORATED | | |
| | | 1 PLACE ± 0.25 ± .020 | ANGULAR ± 1/2° | APPROVED BY DATE JMACNEIL 2011/01/06 | MATERIAL NO. SEE CHART | DOCUMENT NO. SD-19274-001 | SHEET NO. 1 OF 1 |
| DRAFT WHERE APPLICABLE MUST REMAIN WITHIN DIMENSIONS | | THIS DRAWING CONTAINS INFORMATION THAT IS PROPRIETARY TO MOLEX INCORPORATED AND SHOULD NOT BE USED WITHOUT WRITTEN PERMISSION | | | | | |