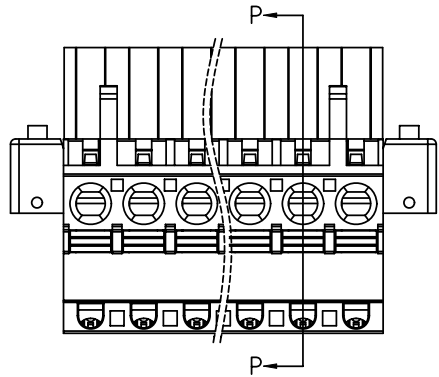


PRODUCT NUMBER	PITCH
H4xx70xC00J0G	5.00 mm



Dimension

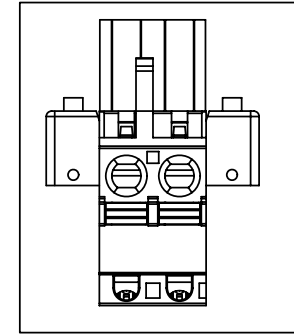
DIM A	$N \times 5.0 + 0.10$
DIM B	$(N-1) \times 5.0$
DIM C	$(N-1) \times 5.0 + 10.0$
DIM D	$(N-1) \times 5.0 + 15.1$

N=Number of poles

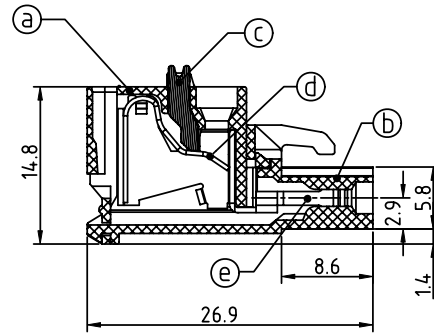
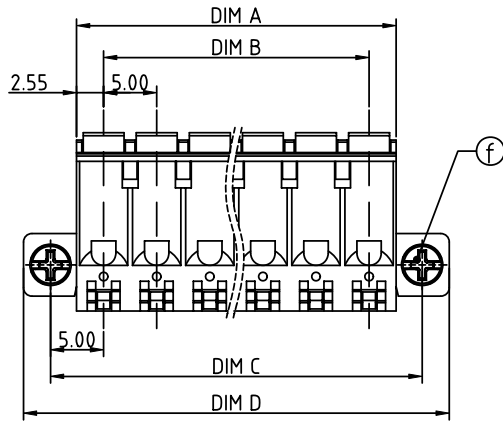
POLES	Tolerance
2p-6p	± 0.15
7p-12p	± 0.25
13p-16p	± 0.35
17p-24p	± 0.40

PART NO.: H4 xx 7 0 x C 00J0 G

Solid block	No. of poles	Color	RoHS compliant (lead<4%) In copper Alloy
0	2	Black (RAL9005)	
02	2 poles	Red (RAL3001/D)	
03	3 poles	Orange(RAL2011/P)	
...	...	4 Yellow(RAL1018/A)	
...	...	5 Green(RAL6018/T)	
24	24 poles	6 Blue (RAL5015/A)	
		8 Grey(RAL7035/D)	
		9 White(RAL1102)	
		C Green(RAL6018/U)	



2P



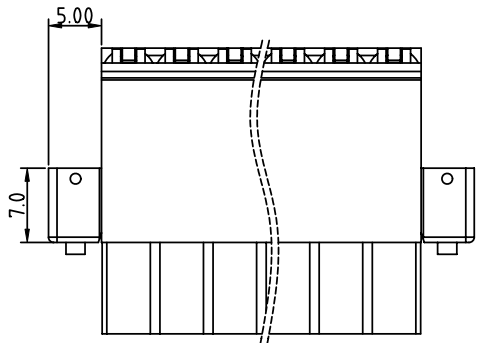
SECTION P-P

Material:

- Item (a) Top body: Thermoplastic (UL94V-0)
- Item (b) Bottom body: Thermoplastic (UL94V-0)
- Item (c) Terminal lever: Thermoplastic (UL94V-0) Orange (RAL2001/P)
- Item (d) Spring Clamp: Stainless Steel
- Item (e) Female contact: PhBz (CuSn) Tin plated
- Item (f) Flange screw: Steel Zinc plating M2.5"/-"/"combination type

Electrical cULus

- Voltage rating: 300V
- Current rating: 10A
- Solid wire (AWG): 12-26
- Stranded wire (AWG): 12-26
- Wire strip length: 9-10mm
- Withstanding Voltage: 1.6KV
- Operating temperature: -40°C to +115°C
- Safety Approval: cULus



mat'l. code		surface ASME Y14.5	tolerance ASME Y14.5	projection	product family	
ltr ecn no dr date		tolerances unless otherwise specified		MM	TERMINAL BLOCK	
		angles	X.±0.5		scale	title
		X°±1°	X.X±0.3	FCI		TERMINAL BLOCK SPRING CLAMP, PLUGGABLE PLUG WITH FLANGE, HOOK ON ENTRY SIDE
			X.XX±0.1		dwg no sheet 1 of 1 size	
		dr	EVIN ZHONG 051614		H4xx70xC00J0G A4	
		enr	EVIN ZHONG 051614		type CUSTOMER Drawing	
		chr	HANKE FENG 051614			
		appd	SHI JUN 051614			
sheet index	revision sheet	A	1			