

PRODUCT NUMBER

XXXXX-YYYHTLF

LEAD FREE OPTION  
(SEE NOTES 1)

PACKAGING OPTIONS  
(SEE NOTE 1)

HIGH TEMPERATURE PLASTIC  
(SEE NOTE 1)

NO OF  
POSITIONS  
(SEE NOTE 1)

PIN PLATING  
(SEE SHEET 2)

BASE PART NO.

68000-X XX-XXX XXX LF

TAIL LENGTH (EXAMPLE BELOW)  
3.0mm=030 12.8mm=128 (SEE NOTE 15 & 16)

MATING LENGTH (EXAMPLE BELOW)  
5.0mm=050 25.5mm=255 (SEE NOTE 15 & 16)

TOTAL NUMBER OF POSITION  
FROM 1 THRU 36 POS. (SEE NOTE 1)

PIN PLATING (SEE NOTE 13)

1=0.76µm Au  
4= PURE TIN  
8=0.36µm Au

BASE PART NO.

⊕ ∅.020/.51 (M) U (M) V (S)

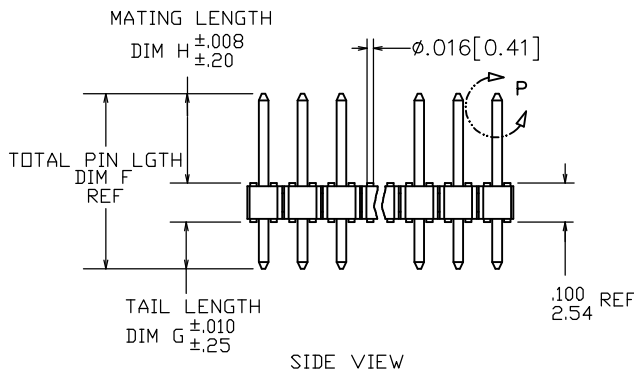
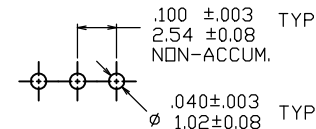
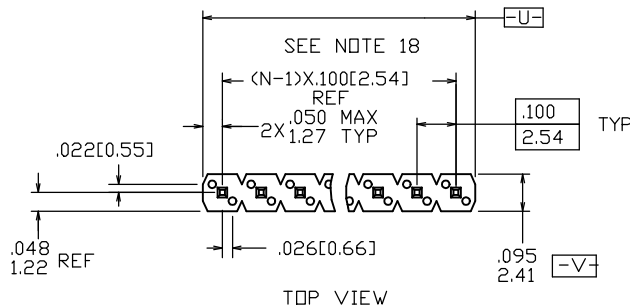
NOTE 4

.025±.001  
0.64±.03 TYP

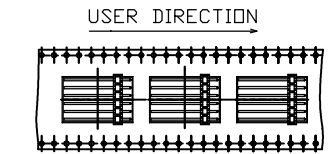
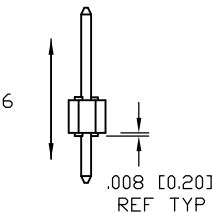
.013  
0.33 MAX TYP

25°±5° TYP  
4 SIDES

DETAIL P  
TYP BOTH ENDS



NOTE 6



PACKAGE:  
ONLY FOR 68000-406160035ALF

|                            |             |                       |            |                                       |          |                       |                               |                            |              |
|----------------------------|-------------|-----------------------|------------|---------------------------------------|----------|-----------------------|-------------------------------|----------------------------|--------------|
| mat'l. code<br>NOTES 2 & 3 |             | surface<br>ISO 1302 ✓ |            | tolerance<br>ISO 406<br>ISO 1101      |          | projection<br>INCH/MM |                               | product family<br>BERGSTIK |              |
| ltr                        | ec'n no     | dr                    | date       | tolerances unless otherwise specified |          |                       |                               | title                      |              |
| CY                         | ELX-N-01895 | JZ                    | 2012-06-12 | angles                                | linear   | .XX±01/.X±3           | BERGSTIK® II HEADER           |                            |              |
| DA                         | ELX-N-16105 | ZK                    | 2013-10-22 |                                       |          | .XXX±0.006/.XX±1.5    | .100/2.54cc SR STRAIGHT       |                            |              |
| DB                         | ELX-N-17329 | ZK                    | 2014-03-27 | 0°±2'                                 |          | .XXX±0.0002/.XXX±.005 | scale 1:1                     |                            |              |
| DC                         | ELX-N-28578 | MZ                    | 2017-11-23 | dr                                    | T.HANNA  | 01/05/95              | dwg no                        |                            | sheet 1 of 8 |
|                            |             |                       |            | enr                                   | T.HANNA  | 01/05/95              | 68000                         |                            | A3           |
|                            |             |                       |            | chr                                   | J.MURPHY | 01/05/95              | type Product Customer Drawing |                            |              |
|                            |             |                       |            | appd                                  | T.HANNA  | 01/05/95              |                               |                            |              |
| sheet                      | revision    | DC                    | DC         | DC                                    | DC       | DC                    | DC                            | DC                         | DC           |
| index                      | sheet       | 1                     | 2          | 3                                     | 4        | 5                     | 6                             | 7                          | 8            |

Amphenol FCI

© 2016 AFCI

PIN PLATING CODES:

|             |                                                         |
|-------------|---------------------------------------------------------|
| XXXX-1YY    | 30u"/0.76u MIN (SEE NOTE 13) OVER 50u"/1.27u MIN Ni     |
| XXXX-2YY    | 15u"/0.38u MIN (SEE NOTE 13) OVER 50u"/1.27u MIN Ni     |
| XXXX-3YY    | 50u"/1.27u MIN (SEE NOTE 13) OVER 50u"/1.27u MIN Ni     |
| XXXX-4YY    | 100u"/2.54u MIN Sn OVER 50u"/1.27u MIN Ni (SEE NOTE 14) |
| XXXX-4YYHLF |                                                         |
| XXXX-5YY    | 15u"/0.38u MIN (SEE NOTE 13) OVER 50u"/1.27u MIN Ni     |
| XXXX-6YY    | 30u"/0.76u MIN (SEE NOTE 13) OVER 50u"/1.27u MIN Ni     |
| XXXX-7YY    | 30u"/0.76u MIN (SEE NOTE 13) OVER 50u"/1.27u MIN Ni     |
| XXXX-8YY    | 15u"/0.38u MIN (SEE NOTE 13) OVER 50u"/1.27u MIN Ni     |
| XXXX-9YY    | 15u"/0.38u MIN (SEE NOTE 13) OVER 50u"/1.27u MIN Ni     |
| XXXX-0YY    | 30u"/0.76u MIN (SEE NOTE 13) OVER 50u"/1.27u MIN Ni     |

NOTES

1. PART NUMBER OPTIONS:

PIN PLATING CODES (SEE ABOVE)

HIGH TEMP. MATERIAL:

PART NUMBERS WITH AND WITHOUT "H" WILL BE SUPPLIED WITH HIGH TEMPERATURE PLASTIC

NUMBER OF POSITIONS :

ANY NUMBER OF POSITIONS FROM 1 THRU 36. -X00H INDICATES BERGSTRIIP PRODUCT. SEE PAGE 3 FOR SPECIAL GEOMETRY OF THIS CONTINUOUS STRIP PRODUCT. AUTOMATED REELS WILL CONTAIN 36,000 PINS. SEE SPECIFIC PART NUMBERS FOR AVAILABILITY.

PACKAGING :

NO INDICATOR IS STANDARD PACKAGING IN POLY BAGS. EIGHT DIGIT PART NUMBERS FOLLOWED BY A "T" ARE PACKAGED IN TUBES. SEE SPECIFIC PART NUMBERS FOR AVAILABILITY. EIGHT DIGIT PART NUMBERS FOLLOWED BY A "C" ARE PACKAGED IN TUBES WITH PICKUP CAP APPLIED. (NOT TOOLED) BERGSTRIIP PART NUMBERS FOLLOWED BY A "B" ARE BULK PRICED. EIGHT DIGIT PART NUMBERS FOLLOWED BY A "A" ARE PACKAGED IN TAPE AND REEL WITH PICKUP CAP APPLIED.

LEAD FREE :

ADD "LF" SUFFIX AT THE END OF PART NUMBER FOR LEAD FREE

2. BODY MATERIAL :

BERGSTIK: MANUFACTURER'S OPTION OF NYLON, PCT GLASS FIBER REINFORCED, OR LCP MINERAL FILLED FLAME RETARDENT PER UL-94V-0. COLOR : BLACK BERGSTRIIP: PRODUCED WITH HIGH TEMPERATURE LCP THERMOPLASTIC, FLAME RETARDENT PER UL-94V-0. COLOR : BLACK

PART NUMBERS WITH AND WITHOUT "H" SUFFIX WILL WITHSTAND EXPOSURE TO 260°C PEAK TEMPERATURE FOR 20 SECONDS IN WAVE SOLDER, INFRA-RED OR VAPOR PHASE SOLDER PROCESS.

- 3. PIN MATERIAL : PHOS-BRONZE.
- 4. MEASURED WITH PART IN RESTRAINED CONDITION.
- 5. TWO SIDES OF PIN TIPS NOT PLATED. TYPICAL BOTH ENDS.
- 6. 2LBS/0.9KG MIN PIN RETENTION IN EITHER DIRECTION.
- 7. PIN CANNOT PROTRUDE PAST EDGE OF HOUSING. MUST BE .005±.005/.13±.13 FROM END OF HOUSING HOLE.
- 8. MILITARY BERGSTIK HEADER P/N XXXXX-XY-MIL. NOT AVAILABLE.
- 9. ±.010/0.25 TOL APPLIES TO ALL "G" TAILS EXCEPT INDICATED PARTS ON TABLE WHERE +.010/0.25 -.000/0.00 APPLIES.
- 10. INDICATED PART NUMBERS ARE PRODUCED AND SOLD IN THE TAIWAN/SINGAPORE AREAS. THESE ARE NOT AVAILABLE IN BERGSTRIIP CONTINUOUS STRIP.
- 11. NOTCH CONFIGURATION WILL VARY PER VENDOR'S DISCRETION.
- 12. THESE PRODUCTS MEETS EUROPEAN UNION DIRECTIVES AND OTHER COUNTRY REGULATION AS DESCRIBED IN GS-22-008.
- 13. PLATING OPTIONS: PERFORMANCE PLATING WILL BE EITHER GOLD OR GXT ON POST OR TAIL, OPTIONALLY (78~295u"/2~7.5u) TIN ON TAIL.
- 14. "THIS PRODUCT HAS 100% TIN PLATING IN THE INTERFACE AND HAS NOT BEEN TESTED FOR WHISKER GROWTH IN ALL INTERCONNECT ENVIRONMENTS."
- 15. THE DAL DON'T EXCEED 34.5mm
- 16. INCREMENTS BY 0.1mm IN LENGTHS ONLY
- 17. FOR SPECIAL PACKAGING REQUEST PLEASE CONTACT PRODUCT MANAGER FOR AVAILABILITY
- 18. TO DETERMINE DIMENSIONS: N=NUMBER OF POSITION PER ROW EXAMPLE: 10 POS. N X .100/2.54
- 19. 68000-406160035ALF IS SPECIAL PART NUMBER, IT IS 6PIN, MATING LENGTH IS 16mm. TAIL LENGTH IS 3.5mm. AND PACKAGE IS TAPE AND REEL AND NO CAP.

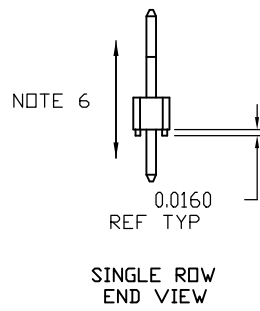
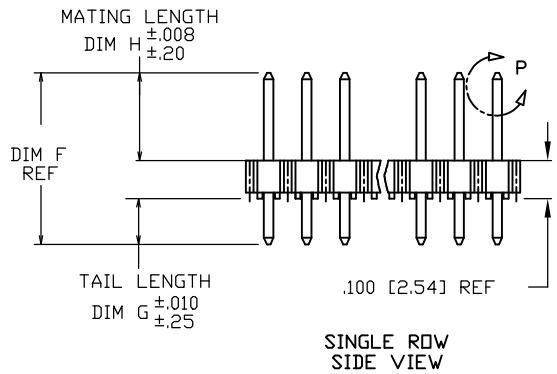
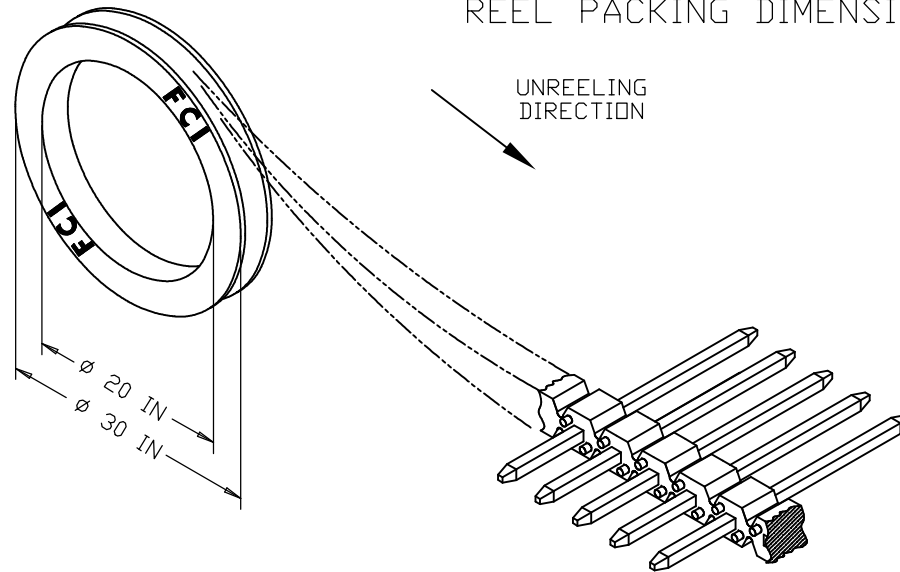
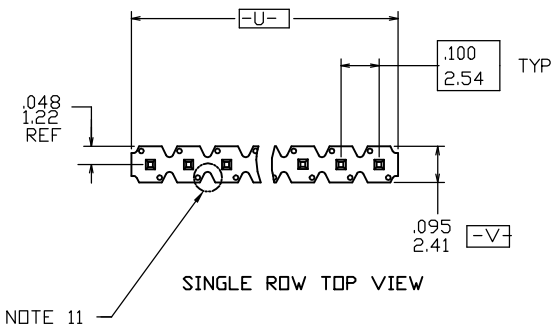


Copyright FCI.

|                    |             |                                                   |                                       |                                |              |             |
|--------------------|-------------|---------------------------------------------------|---------------------------------------|--------------------------------|--------------|-------------|
| www.fciconnect.com |             |                                                   | surface ISO 1302 ✓                    | tolerance std ISO 406 ISO 1101 | projection   | INCH/MM     |
|                    |             |                                                   | TOLERANCES UNLESS OTHERWISE SPECIFIED |                                |              |             |
| Dr                 | T.BREWBAKER | 01/05/95                                          | ANGULAR                               | 0.X ±0.3                       | size A4      | Scale 1.000 |
| Eng                | T.HANNA     | 01/05/95                                          | LINEAR                                | 0.XX ±0.15                     |              |             |
| Chr                | J.MURPHY    | 01/05/95                                          | 0° ±2°                                | 0.XXX ±0.05                    | ECN          |             |
| Appr               | T.HANNA     | 01/05/95                                          | Product family                        | BERGSTIK                       | Spec ref     |             |
|                    |             | title BERGSTIK® II HEADER .100/2.54cc SR STRAIGHT |                                       |                                | chg no 68000 | Rev. DC     |
| catalog no         |             | CUSTOMER                                          |                                       |                                | sheet 2 of 8 |             |

### BERGSTRIK™ HEADER

### REEL PACKING DIMENSIONS



Copyright FCI.

|                                       |             |          |                                                      |        |                                |       |              |             |              |  |  |
|---------------------------------------|-------------|----------|------------------------------------------------------|--------|--------------------------------|-------|--------------|-------------|--------------|--|--|
| www.fciconnect.com                    |             |          | surface ISO 1302 ✓                                   |        | tolerance std ISO 406 ISO 1101 |       | projection   |             | INCH/MM      |  |  |
| TOLERANCES UNLESS OTHERWISE SPECIFIED |             |          |                                                      |        |                                |       |              |             |              |  |  |
| Dr                                    | T.BREWBAKER | 01/05/95 | ANGULAR                                              | LINEAR | 0.X                            | ±0.3  | size A4      | Scale 1.000 |              |  |  |
| Eng                                   | T.HANNA     | 01/05/95 |                                                      |        | 0.XX                           | ±0.15 |              |             |              |  |  |
| Chr                                   | J.MURPHY    | 01/05/95 | 0°                                                   | ±2°    | 0.XXX                          | ±0.05 | ECN          |             |              |  |  |
| Appr                                  | T.HANNA     | 01/05/95 | Product family                                       |        | BERGSTIK                       |       | Spec ref     |             |              |  |  |
|                                       |             |          | title BERGSTIK® II HEADER<br>.100/2.54cc SR STRAIGHT |        |                                |       | dwg no 68000 |             | Rev. DC      |  |  |
|                                       |             |          | catalog no                                           |        |                                |       | CUSTOMER     |             | sheet 3 of 8 |  |  |

| PRODUCT NUMBER       | TOTAL PIN LGTH |        | TAIL LENGTH |        | MATING LENGTH |        | PACKAGING       | NOTES | BERGSTRIPTM | LF        |        |
|----------------------|----------------|--------|-------------|--------|---------------|--------|-----------------|-------|-------------|-----------|--------|
|                      | DIM F          | DIM F  | DIM G       | DIM G  | DIM H         | DIM H  |                 |       | AVAILABLE   |           | OPTION |
|                      | ENGLISH        | METRIC | ENGLISH     | METRIC | ENGLISH       | METRIC |                 |       |             |           |        |
| <del>55492-XYH</del> | 0.315          | 8.00   | 0.095       | 2.41   | 0.120         | 3.05   | POLY BAGS       |       | NO          | OB        |        |
| <del>60017-XYH</del> | 0.620          | 15.75  | 0.210       | 5.33   | 0.310         | 7.87   | POLY BAGS       |       | NO          | OB        |        |
| <del>60018-XYH</del> | 0.660          | 16.76  | 0.250       | 6.35   | 0.310         | 7.87   | POLY BAGS       |       | NO          | OB        |        |
| <del>63334-XYH</del> | 0.435          | 11.05  | 0.095       | 2.41   | 0.240         | 6.10   | POLY BAGS       |       | NO          | OB        |        |
| 68000-YYY            | 0.425          | 10.80  | 0.095       | 2.41   | 0.230         | 5.84   | POLY BAGS       |       | YES         | NOTE 1,12 |        |
| 68001-YYY            | 0.450          | 11.43  | 0.120       | 3.05   | 0.230         | 5.84   | POLY BAGS/TUBES |       | YES         |           |        |
| 68002-YYY            | 0.480          | 12.19  | 0.150       | 3.81   | 0.230         | 5.84   | POLY BAGS       |       | YES         |           |        |
| <del>68003-XXX</del> | 0.525          | 13.34  | 0.195       | 4.95   | 0.230         | 5.84   | POLY BAGS       |       | NO          | OB        |        |
| 68004-YYY            | 0.525          | 13.34  | 0.107       | 2.72   | 0.318         | 8.08   | POLY BAGS       |       | YES         |           |        |
| 68024-YYY            | 0.568          | 14.43  | 0.150       | 3.81   | 0.318         | 8.08   | POLY BAGS       |       | YES         |           |        |
| 68031-YYY            | 0.513          | 13.03  | 0.183       | 4.65   | 0.230         | 5.84   | POLY BAGS       |       | NO          |           |        |
| <del>68032-XXX</del> | 0.543          | 13.79  | 0.213       | 5.41   | 0.230         | 5.84   | POLY BAGS       |       | NO          | OB        |        |
| 68033-YYY            | 0.708          | 17.98  | 0.473       | 12.01  | 0.135         | 3.43   | POLY BAGS       |       | NO          |           |        |
| 68415-YYY            | 0.615          | 15.62  | 0.115       | 2.92   | 0.400         | 10.16  | POLY BAGS       |       | NO          |           |        |
| 68416-YYY            | 0.813          | 20.65  | 0.483       | 12.27  | 0.230         | 5.84   | POLY BAGS       |       | NO          |           |        |
| 68418-YYY            | 0.730          | 18.54  | 0.400       | 10.16  | 0.230         | 5.84   | POLY BAGS       |       | NO          |           |        |
| 68422-YYY            | 0.631          | 16.03  | 0.213       | 5.41   | 0.318         | 8.08   | POLY BAGS       |       | NO          |           |        |
| <del>68443-XXX</del> | 0.755          | 19.18  | 0.425       | 10.80  | 0.230         | 5.84   | POLY BAGS       |       | NO          | OB        |        |
| <del>68456-XXX</del> | 0.825          | 20.96  | 0.115       | 2.92   | 0.610         | 15.49  | POLY BAGS       |       | NO          | OB        |        |
| 68457-YYY            | 0.548          | 13.92  | 0.130       | 3.30   | 0.318         | 8.08   | POLY BAGS       |       | NO          |           |        |
| <del>68465-XXX</del> | 0.925          | 23.50  | 0.595       | 15.11  | 0.230         | 5.84   | POLY BAGS       |       | NO          | OB        |        |
| 68466-YYY            | 0.925          | 23.50  | 0.128       | 3.25   | 0.697         | 17.70  | POLY BAGS       |       | NO          |           |        |
| <del>68472-XXX</del> | 0.913          | 23.19  | 0.413       | 10.49  | 0.400         | 10.16  | POLY BAGS       |       | NO          | OB        |        |
| <del>68479-XXX</del> | 0.718          | 18.24  | 0.388       | 9.86   | 0.230         | 5.84   | POLY BAGS       |       | NO          | OB        |        |
| <del>68483-XXX</del> | 0.835          | 21.21  | 0.417       | 10.59  | 0.318         | 8.08   | POLY BAGS       |       | NO          | OB        |        |
| <del>68487-XXX</del> | 0.705          | 17.91  | 0.110       | 2.79   | 0.495         | 12.57  | POLY BAGS       |       | NO          | OB        |        |
| <del>68489-XXX</del> | 1.095          | 27.81  | 0.765       | 19.43  | 0.230         | 5.84   | POLY BAGS       |       | NO          | OB        |        |
| <del>68490-XXX</del> | 1.025          | 26.04  | 0.695       | 17.65  | 0.230         | 5.84   | POLY BAGS       |       | NO          | OB        |        |
| 68497-YYY            | 0.612          | 15.54  | 0.085       | 2.16   | 0.427         | 10.85  | POLY BAGS       |       | NO          |           |        |
| 68603-YYY            | 0.555          | 14.10  | 0.120       | 3.05   | 0.335         | 8.51   | POLY BAGS       |       | NO          |           |        |
| 68604-YYY            | 0.600          | 15.24  | 0.120       | 3.05   | 0.380         | 9.65   | POLY BAGS       |       | NO          | NOTE 1,12 |        |



Copyright FCI.

|                    |                                                   |          |                                       |                                |              |                     |
|--------------------|---------------------------------------------------|----------|---------------------------------------|--------------------------------|--------------|---------------------|
| www.fciconnect.com |                                                   |          | surface ISO 1302 ✓                    | tolerance std ISO 406 ISO 1101 | projection   | INCH/MM             |
|                    |                                                   |          | TOLERANCES UNLESS OTHERWISE SPECIFIED |                                |              | ← →                 |
| Dr                 | T.BREWBAKER                                       | 01/05/95 | ANGULAR                               | LINEAR                         | 0.X ±0.3     | size A4 Scale 1.000 |
| Eng                | T.HANNA                                           | 01/05/95 |                                       |                                | 0.XX ±0.15   |                     |
| Chr                | J.MURPHY                                          | 01/05/95 | 0° ±2°                                |                                | 0.XXX ±0.05  | ECN                 |
| Appr               | T.HANNA                                           | 01/05/95 | Product family BERGSTIK               |                                | Spec ref     |                     |
|                    | title BERGSTIK® II HEADER .100/2.54cc SR STRAIGHT |          |                                       | chg no 68000                   | Rev. DC      |                     |
| catalog no         |                                                   |          | CUSTOMER                              |                                | sheet 4 of 8 |                     |

| PRODUCT NUMBER | TOTAL PIN LGTH |        | TAIL LENGTH |        | MATING LENGTH |        | PACKAGING | NOTES | BERGSTRIK™ | LF OPTION       |
|----------------|----------------|--------|-------------|--------|---------------|--------|-----------|-------|------------|-----------------|
|                | DIM F          | DIM F  | DIM G       | DIM G  | DIM H         | DIM H  |           |       | AVAILABLE  |                 |
|                | ENGLISH        | METRIC | ENGLISH     | METRIC | ENGLISH       | METRIC |           |       |            |                 |
| 68629-XXX      | 0.621          | 15.77  | 0.203       | 5.16   | 0.318         | 8.08   | POLY BAGS | -     | NO         | OB              |
| 68630-XXX      | 0.603          | 15.32  | 0.273       | 6.93   | 0.230         | 5.84   | POLY BAGS | -     | NO         | OB              |
| 68631-XXX      | 0.703          | 17.86  | 0.203       | 5.16   | 0.400         | 10.16  | POLY BAGS | -     | NO         | OB              |
| 68632-XXX      | 0.743          | 18.87  | 0.413       | 10.49  | 0.230         | 5.84   | POLY BAGS | -     | NO         | OB              |
| 68633-XXX      | 0.643          | 16.33  | 0.225       | 5.72   | 0.318         | 8.08   | POLY BAGS | -     | NO         | NOTE 1,12       |
| 68634-XXX      | 1.013          | 25.73  | 0.683       | 17.35  | 0.230         | 5.84   | POLY BAGS | -     | NO         | OB              |
| 68642-XXX      | 0.913          | 23.19  | 0.583       | 14.81  | 0.230         | 5.84   | POLY BAGS | -     | NO         | OB              |
| 68652-XXX      | 1.470          | 37.34  | 0.670       | 17.02  | 0.700         | 17.78  | POLY BAGS | -     | NO         | OB              |
| 68653-XXX      | 0.735          | 18.67  | 0.095       | 2.41   | 0.540         | 13.72  | POLY BAGS | -     | NO         |                 |
| 68654-XXX      | 1.050          | 26.67  | 0.670       | 17.02  | 0.280         | 7.11   | POLY BAGS | -     | NO         | OB              |
| 68655-XXX      | 0.708          | 17.98  | 0.290       | 7.37   | 0.318         | 8.08   | POLY BAGS | -     | NO         |                 |
| 68656-XXX      | 1.113          | 28.27  | 0.613       | 15.57  | 0.400         | 10.16  | POLY BAGS | -     | NO         | OB              |
| 68657-XXX      | 0.588          | 14.94  | 0.368       | 9.35   | 0.120         | 3.05   | POLY BAGS | -     | NO         |                 |
| 68658-XXX      | 0.820          | 20.83  | 0.130       | 3.30   | 0.590         | 14.99  | POLY BAGS | -     | NO         | OB              |
| 68659-XXX      | 0.608          | 15.44  | 0.398       | 10.11  | 0.110         | 2.79   | POLY BAGS | -     | NO         | OB              |
| 68686-XXX      | 1.016          | 25.81  | 0.458       | 11.63  | 0.458         | 11.63  | POLY BAGS | -     | NO         | OB              |
| 68689-XXX      | 0.913          | 23.19  | 0.213       | 5.41   | 0.600         | 15.24  | POLY BAGS | -     | NO         | OB              |
| 68705-XXX      | 0.395          | 10.03  | 0.095       | 2.41   | 0.200         | 5.08   | POLY BAGS | -     | NO         |                 |
| 68717-XXX      | 0.615          | 15.62  | 0.285       | 7.24   | 0.230         | 5.84   | POLY BAGS | -     | NO         |                 |
| 68730-XXX      | 0.555          | 14.10  | 0.225       | 5.72   | 0.230         | 5.84   | POLY BAGS | -     | NO         | OB              |
| 68731-XXX      | 0.880          | 22.35  | 0.440       | 11.18  | 0.340         | 8.64   | POLY BAGS | -     | NO         | OB              |
| 68735-XXX      | 1.016          | 25.81  | 0.520       | 13.21  | 0.396         | 10.06  | POLY BAGS | -     | NO         | OB              |
| 68755-XXX      | 1.166          | 29.62  | 0.533       | 13.54  | 0.533         | 13.54  | POLY BAGS | -     | NO         | OB              |
| 68760-XXX      | 0.803          | 20.40  | 0.353       | 8.97   | 0.350         | 8.89   | POLY BAGS | -     | NO         | OB              |
| 68762-XXX      | 0.588          | 14.94  | 0.213       | 5.41   | 0.275         | 6.99   | POLY BAGS | -     | NO         | OB              |
| 68771-XXX      | 0.470          | 11.94  | 0.100       | 2.54   | 0.270         | 6.86   | POLY BAGS | -     | NO         |                 |
| 68781-XXX      | 0.691          | 17.55  | 0.273       | 6.93   | 0.318         | 8.08   | POLY BAGS | -     | NO         | NOTE 1,12<br>OB |



Copyright FCI.

D

|                    |                                                   |          |                                       |                                |              |             |
|--------------------|---------------------------------------------------|----------|---------------------------------------|--------------------------------|--------------|-------------|
| www.fciconnect.com |                                                   |          | surface ISO 1302 ✓                    | tolerance std ISO 406 ISO 1101 | projection   | INCH/MM     |
|                    |                                                   |          | TOLERANCES UNLESS OTHERWISE SPECIFIED |                                |              | ← →         |
| Dr                 | T.BREWBAKER                                       | 01/05/95 | ANGULAR                               | LINEAR                         | size A4      | Scale 1.000 |
| Eng                | T.HANNA                                           | 01/05/95 | 0°                                    | ±2°                            | 0.X ±0.3     | 0.XX ±0.15  |
| Chr                | J.MURPHY                                          | 01/05/95 | 0.XXX                                 | ±0.05                          | ECN          |             |
| Appr               | T.HANNA                                           | 01/05/95 | Product family BERGSTIK               |                                | Spec ref     |             |
|                    | title BERGSTIK® II HEADER .100/2.54cc SR STRAIGHT |          |                                       | dwg no 68000                   | Rev. DC      |             |
| catalog no         |                                                   |          | CUSTOMER                              |                                | sheet 5 of 8 |             |

1

2

3

4

| PRODUCT NUMBER | TOTAL PIN LGTH |        | TAIL LENGTH   |        | MATING LENGTH |        | PACKAGING       | NOTES   | BERGSTRIPTM | LF OPTION |
|----------------|----------------|--------|---------------|--------|---------------|--------|-----------------|---------|-------------|-----------|
|                | DIM F          | DIM F  | DIM G         | DIM G  | DIM H         | DIM H  |                 |         | AVAILABLE   |           |
|                | ENGLISH        | METRIC | ENGLISH       | METRIC | ENGLISH       | METRIC |                 |         |             |           |
| 68795-XXX      | 0.500          | 12.70  | 0.062         | 1.57   | 0.338         | 8.59   | POLY BAGS       |         | NO          | OB        |
| 68796-XXX      | 0.633          | 16.08  | 0.423         | 10.74  | 0.110         | 2.79   | POLY BAGS       |         | NO          | OB        |
| 68797-XXX      | 0.413          | 10.49  | 0.213         | 5.41   | 0.100         | 2.54   | POLY BAGS       |         | NO          | NOTE 1,12 |
| 69148-XXX      | 0.442          | 11.43  | 0.000         | 0.00   | 0.350         | 8.89   | POLY BAGS       |         | NO          | OB        |
| 69152-XXX      | 0.720          | 18.29  | 0.120         | 3.05   | 0.500         | 12.70  | POLY BAGS/TUBES |         | NO          | OB        |
| 69173-XXX      | 0.530          | 13.46  | 0.135         | 3.43   | 0.295         | 7.49   | POLY BAGS       |         | NO          |           |
| 69188-XXX      | 0.751          | 19.08  | 0.333         | 8.46   | 0.318         | 8.08   | POLY BAGS       |         | NO          |           |
| 69751-XXX      | 0.440          | 11.18  | 0.170         | 4.32   | 0.170         | 4.32   | POLY BAGS       | NOTE 10 | NO          | OB        |
| 71417-XXX      | 0.664          | 16.87  | 0.115         | 2.92   | 0.449         | 11.40  | POLY BAGS       | NOTE 10 | NO          | OB        |
| 72260-XXX      | 0.930          | 23.62  | 0.090         | 2.29   | 0.740         | 18.80  | POLY BAGS       |         | NO          | OB        |
| 72323-XXX      | 1.200          | 30.48  | 0.100         | 2.54   | 1.000         | 25.40  | POLY BAGS       |         | NO          | OB        |
| 72457-XXX      | 1.100          | 27.94  | 0.090         | 2.29   | 0.910         | 23.11  | POLY BAGS       |         | NO          | OB        |
| 73698-XXX      | 1.100          | 27.94  | 0.120         | 3.05   | 0.880         | 22.35  | POLY BAGS       |         | NO          |           |
| 74464-XXX      | 1.028          | 26.11  | 0.610         | 15.49  | 0.318         | 8.08   | POLY BAGS       |         | NO          | OB        |
| 78240-XXX      | 0.663          | 16.84  | 0.333         | 8.46   | 0.230         | 5.84   | POLY BAGS       |         | NO          | OB        |
| 78287-XXX      | 0.678          | 17.22  | 0.120         | 3.05   | 0.458         | 11.63  | POLY BAGS       |         | NO          | OB        |
| 78290-XXX      | 1.250          | 31.75  | 0.500         | 12.70  | 0.650         | 16.51  | POLY BAGS       |         | NO          |           |
| 78511-XXX      | 0.538          | 13.67  | 0.120         | 3.05   | 0.318         | 8.08   | POLY BAGS/TUBES |         | YES         |           |
| 78595-XXX      |                |        | NOT AVAILABLE |        |               |        |                 |         |             |           |
| 78931-XXX      |                |        | NOT AVAILABLE |        |               |        |                 |         |             |           |
| 78958-XXX      |                |        | NOT AVAILABLE |        |               |        |                 |         |             |           |
| 78959-XXX      |                |        | NOT AVAILABLE |        |               |        |                 |         |             |           |
| 78977-XXX      |                |        | NOT AVAILABLE |        |               |        |                 |         |             |           |
| 78998-XXX      | 0.430          | 10.92  | 0.155         | 3.94   | 0.175         | 4.45   | POLY BAGS       |         | NO          |           |
| 78999-XXX      |                |        | NOT AVAILABLE |        |               |        |                 |         |             |           |
| 79428-XXX      | 0.695          | 17.65  | 0.120         | 3.05   | 0.475         | 12.07  | POLY BAGS       |         | NO          | NOTE 1,12 |
| 79849-XXX      | 0.620          | 15.75  | 0.120         | 3.05   | 0.400         | 10.16  | POLY BAGS       |         | NO          | OB        |



Copyright FCI.

D

|                    |                                                   |          |                                                      |                                |              |                     |
|--------------------|---------------------------------------------------|----------|------------------------------------------------------|--------------------------------|--------------|---------------------|
| www.fciconnect.com |                                                   |          | surface ISO 1302 <input checked="" type="checkbox"/> | tolerance std ISO 406 ISO 1101 | projection   | INCH/MM             |
|                    |                                                   |          | TOLERANCES UNLESS OTHERWISE SPECIFIED                |                                |              |                     |
| Dr                 | T.BREWBAKER                                       | 01/05/95 | ANGULAR                                              | LINEAR                         | 0.X ±0.3     | size A4 Scale 1.000 |
| Eng                | T.HANNA                                           | 01/05/95 |                                                      |                                | 0.XX ±0.15   |                     |
| Chr                | J.MURPHY                                          | 01/05/95 | 0° ±2°                                               |                                | 0.XXX ±0.05  | ECN                 |
| Appr               | T.HANNA                                           | 01/05/95 | Product family                                       | BERGSTIK                       | Spec ref     |                     |
|                    | title BERGSTIK® II HEADER .100/2.54cc SR STRAIGHT |          |                                                      | dwg no 68000                   | Rev. DC      |                     |
| catalog no         |                                                   |          | CUSTOMER                                             |                                | sheet 6 of 8 |                     |

REV F - 2004-11-17

1

2

PDS: Rev :DC

STATUS:Released

3

Printed: Dec 14, 2017

4

| PRODUCT NUMBER | TOTAL PIN LGTH |               | TAIL LENGTH |        | MATING LENGTH |        | PACKAGING | NOTES   | BERGSTRIK™<br>AVAILABLE | LF<br>OPTION |
|----------------|----------------|---------------|-------------|--------|---------------|--------|-----------|---------|-------------------------|--------------|
|                | DIM F          | DIM F         | DIM G       | DIM G  | DIM H         | DIM H  |           |         |                         |              |
|                | ENGLISH        | METRIC        | ENGLISH     | METRIC | ENGLISH       | METRIC |           |         |                         |              |
| 84918-XYH      | 0.340          | 8.64          | 0.120       | 3.05   | 0.120         | 3.05   | POLY BAGS |         | YES                     | OB           |
| 84921-XYH      | 0.370          | 9.40          | 0.150       | 3.81   | 0.120         | 3.05   | POLY BAGS |         | YES                     | OB           |
| 86506-XXX      | 0.440          | 11.18         | 0.120       | 3.05   | 0.220         | 5.59   | POLY BAGS |         | YES                     | OB           |
| 86579-XXX      | 0.450          | 11.43         | 0.120       | 3.05   | 0.230         | 5.84   | POLY BAGS | NOTE 9  | NO                      | OB           |
| 86634-XXX      |                | NOT AVAILABLE |             |        |               |        |           |         | -                       | NOTE 1,12    |
| 86635-XXX      |                | NOT AVAILABLE |             |        |               |        |           |         | -                       |              |
| 86636-XXX      |                | NOT AVAILABLE |             |        |               |        |           |         | -                       |              |
| 86637-XXX      |                | NOT AVAILABLE |             |        |               |        |           |         | -                       |              |
| 86638-XXX      |                | NOT AVAILABLE |             |        |               |        |           |         | -                       |              |
| 86793-XXX      | 0.900          | 22.86         | 0.100       | 2.54   | 0.700         | 17.78  | POLY BAGS | NOTE 10 | NO                      | OB           |
| 86899-XXX      | 1.020          | 25.91         | 0.120       | 3.05   | 0.800         | 20.32  | POLY BAGS |         | NO                      | OB           |
| 87185-XY       | 1.238          | 31.45         | 0.095       | 2.41   | 1.043         | 26.49  | POLY BAGS | NOTE 10 | NO                      |              |
| 87204-XXX      | 0.895          | 22.73         | 0.120       | 3.05   | 0.675         | 17.15  | POLY BAGS |         | NO                      | OB           |
| 87241-XY       | 1.000          | 25.40         | 0.120       | 3.05   | 0.780         | 19.81  | POLY BAGS |         | NO                      | OB           |
| 87502-XYH      | 1.130          | 28.70         | 0.110       | 2.79   | 0.920         | 23.37  | POLY BAGS |         | NO                      | OB           |
| 87827-XXX      | 0.380          | 9.65          | 0.120       | 3.05   | 0.160         | 4.06   | POLY BAGS |         | NO                      |              |
| 87916-XXX      | 1.058          | 26.87         | 0.128       | 3.25   | 0.830         | 21.08  | POLY BAGS |         | NO                      | NOTE 1,12    |
| 88005-XXX      | 0.536          | 13.61         | 0.095       | 2.41   | 0.341         | 8.66   | POLY BAGS | NOTE 10 | NO                      | OB           |
| 88706-XXX      | 0.900          | 22.86         | 0.100       | 2.54   | 0.700         | 17.78  | POLY BAGS |         | NO                      | OB           |
| 89232-XXX      | 0.325          | 8.26          | 0.000       | 0.00   | 0.230         | 5.84   | POLY BAGS | NOTE 7  | NO                      | OB           |



Copyright FCI.

|                                       |             |          |                       |                                   |                     |              |
|---------------------------------------|-------------|----------|-----------------------|-----------------------------------|---------------------|--------------|
| www.fciconnect.com                    |             |          | surface<br>ISO 1302 ✓ | tolerance std<br>ISO 406 ISO 1101 | projection<br>      | INCH/MM      |
| TOLERANCES UNLESS OTHERWISE SPECIFIED |             |          | ANGULAR               | LINEAR                            | size A4             | Scale 1.000  |
| Dr                                    | T.BREWBAKER | 01/05/95 | 0°                    | ±2°                               | 0.XX ±0.15          | ECN          |
| Eng                                   | T.HANNA     | 01/05/95 | 0.XXX                 | ±0.05                             | Product family      | Spec ref     |
| Chr                                   | J.MURPHY    | 01/05/95 | Product family        |                                   | BERGSTIK            |              |
| Appr                                  | T.HANNA     | 01/05/95 | title                 |                                   | BERGSTIK® II HEADER | Rev. DC      |
| catalog no                            |             |          | dwg no                |                                   | 68000               | sheet 7 of 8 |

| PRODUCT NUMBER          | TOTAL PIN LGTH   |                  | TAIL LENGTH      |                  | MATING LENGTH    |                  | BERGSTRIK™<br>AVAILABLE | LF<br>OPTION       |
|-------------------------|------------------|------------------|------------------|------------------|------------------|------------------|-------------------------|--------------------|
|                         | DIM F            | DIM F            | DIM G            | DIM G            | DIM H            | DIM H            |                         |                    |
|                         | ENGLISH          | METRIC           | ENGLISH          | METRIC           | ENGLISH          | METRIC           | PACKAGING               | NOTES              |
| <del>90522-XXX</del>    | <del>0.668</del> | <del>16.97</del> | <del>0.135</del> | <del>3.43</del>  | <del>0.433</del> | <del>11.00</del> | <del>POLY BAGS</del>    | <del>NOTE 10</del> |
| <del>90547-XXX</del>    | <del>0.508</del> | <del>12.90</del> | <del>0.095</del> | <del>2.41</del>  | <del>0.313</del> | <del>7.95</del>  | <del>POLY BAGS</del>    | <del>NOTE 10</del> |
| 90719-XY                | 0.384            | 9.75             | 0.106            | 2.69             | 0.178            | 4.52             | POLY BAGS               | -                  |
| <del>90726-XXX</del>    | <del>0.440</del> | <del>11.18</del> | <del>0.110</del> | <del>2.79</del>  | <del>0.230</del> | <del>5.84</del>  | <del>POLY BAGS</del>    | <del>YES</del>     |
| 91276-XY                | 1.225            | 31.12            | 0.225            | 5.72             | 0.900            | 22.86            | POLY BAGS               | -                  |
| <del>92020-XXX</del>    | <del>0.372</del> | <del>9.45</del>  | <del>0.094</del> | <del>2.39</del>  | <del>0.178</del> | <del>4.52</del>  | <del>POLY BAGS</del>    | <del>NO</del>      |
| <del>92418-XXX</del>    | <del>0.572</del> | <del>14.53</del> | <del>0.118</del> | <del>3.00</del>  | <del>0.354</del> | <del>8.99</del>  | <del>POLY BAGS</del>    | <del>NO</del>      |
| <del>93167-XXX</del>    | <del>0.394</del> | <del>10.01</del> | <del>0.059</del> | <del>1.50</del>  | <del>0.235</del> | <del>5.97</del>  | <del>POLY BAGS</del>    | <del>NO</del>      |
| 93287-XYH               | 0.585            | 14.86            | 0.085            | 2.16             | 0.400            | 10.16            | POLY BAGS               | -                  |
| 93944-XY                | 0.941            | 23.90            | 0.130            | 3.30             | 0.711            | 18.06            | POLY BAGS               | -                  |
| 93992-XYH               | 0.415            | 10.54            | 0.085            | 2.16             | 0.230            | 5.84             | POLY BAGS               | -                  |
| 94063-XY                | 0.376            | 9.55             | 0.138            | 3.51             | 0.138            | 3.51             | POLY BAGS               | NOTE 10            |
| <del>94094-XXX</del>    | <del>0.592</del> | <del>15.04</del> | <del>0.314</del> | <del>7.98</del>  | <del>0.178</del> | <del>4.52</del>  | <del>POLY BAGS</del>    | <del>NO</del>      |
| <del>94544-XXX</del>    | <del>0.550</del> | <del>13.97</del> | <del>0.130</del> | <del>3.30</del>  | <del>0.330</del> | <del>8.38</del>  | <del>POLY BAGS</del>    | <del>NOTE 10</del> |
| 94611-XYH               | 0.320            | 8.13             | 0.095            | 2.41             | 0.125            | 3.18             | POLY BAGS               | -                  |
| <del>95017-XYH</del>    | <del>0.560</del> | <del>14.22</del> | <del>0.060</del> | <del>1.52</del>  | <del>0.400</del> | <del>10.16</del> | <del>POLY BAGS</del>    | <del>NO</del>      |
| <del>95103-XXX</del>    | <del>1.064</del> | <del>27.03</del> | <del>0.433</del> | <del>11.00</del> | <del>0.531</del> | <del>13.49</del> | <del>POLY BAGS</del>    | <del>NOTE 10</del> |
| <del>95104-XXX</del>    | <del>0.370</del> | <del>9.40</del>  | <del>0.126</del> | <del>3.20</del>  | <del>0.144</del> | <del>3.66</del>  | <del>POLY BAGS</del>    | <del>NOTE 10</del> |
| <del>95648-XYH</del>    | <del>0.655</del> | <del>16.64</del> | <del>0.155</del> | <del>3.94</del>  | <del>0.400</del> | <del>10.16</del> | <del>POLY BAGS</del>    | <del>NO</del>      |
| <del>95655-XXX</del>    | <del>1.164</del> | <del>29.57</del> | <del>0.095</del> | <del>2.41</del>  | <del>0.969</del> | <del>24.61</del> | <del>POLY BAGS</del>    | <del>NOTE 10</del> |
| 98001-XYH               | 0.610            | 15.49            | 0.420            | 10.67            | 0.090            | 2.29             | POLY BAGS               | -                  |
| 98136-XYH               | 0.475            | 12.07            | 0.095            | 2.41             | 0.280            | 7.11             | POLY BAGS               | -                  |
| <del>10004394-XYH</del> | <del>0.290</del> | <del>7.37</del>  | <del>0.095</del> | <del>2.41</del>  | <del>0.095</del> | <del>2.41</del>  | <del>POLY BAGS</del>    | <del>NO</del>      |
| <del>10076764-XYH</del> | <del>0.479</del> | <del>12.19</del> | <del>0.114</del> | <del>2.9</del>   | <del>0.265</del> | <del>6.75</del>  | <del>POLY BAGS</del>    | <del>YES</del>     |
| <del>10103017-XXX</del> | <del>0.335</del> | <del>8.51</del>  | <del>0.130</del> | <del>3.30</del>  | <del>0.105</del> | <del>2.67</del>  | <del>POLY BAGS</del>    | <del>NO</del>      |
| 10121349-XY             | 0.626            | 15.9             | 0.120            | 3.05             | 0.406            | 10.3             | POLY BAGS/TAPE REEL     | -                  |

NOTE 1,12

NOTE 1,12



Copyright FCI.

|                    |                                                     |          |                                       |                                |              |             |
|--------------------|-----------------------------------------------------|----------|---------------------------------------|--------------------------------|--------------|-------------|
| www.fciconnect.com |                                                     |          | surface ISO 1302 ✓                    | tolerance std ISO 406 ISO 1101 | projection   | INCH/MM     |
|                    |                                                     |          | TOLERANCES UNLESS OTHERWISE SPECIFIED |                                |              | ←→          |
| Dr                 | T.BREWBAKER                                         | 01/05/95 | ANGULAR                               | 0.X ±0.3                       | size A4      | Scale 1.000 |
| Eng                | T.HANNA                                             | 01/05/95 | LINEAR                                | 0.XX ±0.15                     | ECN          |             |
| Chr                | J.MURPHY                                            | 01/05/95 | 0° ±2°                                | 0.XXX ±0.05                    | Spec ref     |             |
| Appr               | T.HANNA                                             | 01/05/95 | Product family                        | BERGSTIK                       |              |             |
|                    | title BERGSTIK® II HEADER<br>100/2.54cc SR STRAIGHT |          |                                       | dwg no 68000                   | Rev. DC      |             |
| catalog no         |                                                     |          | CUSTOMER                              |                                | sheet 8 of 8 |             |